

Load: 18-1467

Installation Manual

for your Miracle PlaySystem

Please see (Online):

- [READ ME FIRST](#)
- [CPSC Handbook](#)
- [Install 101 and Hardware Guide](#)

Inside

- *Construction Drawings and Footing Layouts*
- *Installation Guides*
- *Parts List of every component in your
Playsystem*



**YOLO, COUNTY OF
WOODLAND, CA
Work Order: MR00112258**

INSTALLATION INSTRUCTIONS TOP VIEW & FOOTING LAYOUT

PAGE
1 OF 5

YOLO COUNTY FAMILY SERVICES

DRAWING NUMBER:
112258

WORK ORDER NUMBER(S):
112258

DATE:
8/27/18
MIRACLE PLAYSYSTEMS, INC

IMPORTANT SAFETY NOTE:

IT IS THE RESPONSIBILITY OF THE PLAYGROUND OWNER/ OPERATOR TO ENSURE THAT THE APPROPRIATE TYPE AND DEPTH OF CUSHIONING MATERIAL (PROTECTIVE SURFACING) IS USED. THE CUSHIONING MATERIAL MUST BE INSTALLED AND MAINTAINED IN THE "USE ZONE" AREA UNDER AND ALL AROUND THE PLAYGROUND EQUIPMENT. FOR COMPLETE SURFACING AND USE ZONE INFORMATION, PLEASE REFER TO THE U.S. CONSUMER PRODUCT SAFETY COMMISSION'S (CPSC) "PUBLIC PLAYGROUND SAFETY HANDBOOK" SECTION 2.4 (SURFACING), SECTION 5.3 (EQUIPMENT) AND SECTION 4.3 (MAINTENANCE).

THIS PLAY SYSTEM FOLLOWS THE RECOMMENDATIONS CONTAINED IN THE U.S. CONSUMER PRODUCT SAFETY COMMISSION'S "PUBLIC PLAYGROUND SAFETY HANBOOK" REGARDING PLAYGROUND EQUIPMENT DESIGNED FOR:

2 - 12 YEAR OLD CHILDREN

THERE CAN BE LARGE DISPARITIES IN THE ABILITIES OF CHILDREN OF SIMILAR AGES. PARENTS MUST BE RESPONSIBLE FOR LIMITING THEIR CHILDREN TO THOSE ACTIVITIES THAT ARE APPROPRIATE AND SAFE FOR THEIR CHILDREN'S INDIVIDUAL ABILITIES.

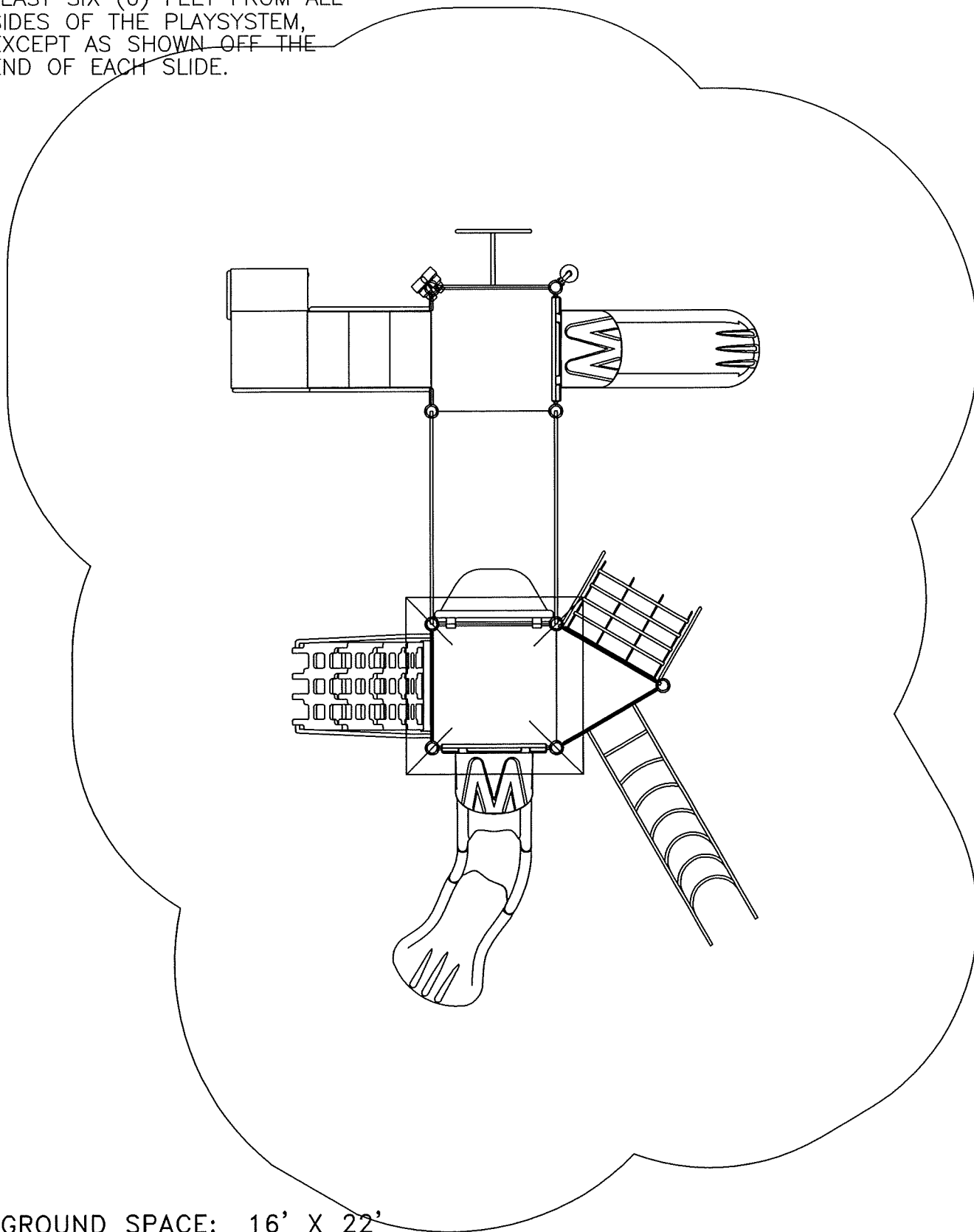
MIRACLE RECREATION EQUIPMENT COMPANY

878 E. HWY 60
MONETT, MISSOURI 65708
PHONE: 1-800-523-4202

IMPORTANT NOTE:
THE LINE SHOWN AROUND THIS
PLAYSYSTEM REPRESENTS THE
PERIMETER OF THE MINIMUM
"USE ZONE" REQUIRED. THIS
"USE ZONE" MUST EXTEND AT
LEAST SIX (6) FEET FROM ALL
SIDES OF THE PLAYSYSTEM,
EXCEPT AS SHOWN OFF THE
END OF EACH SLIDE.

USE ZONE

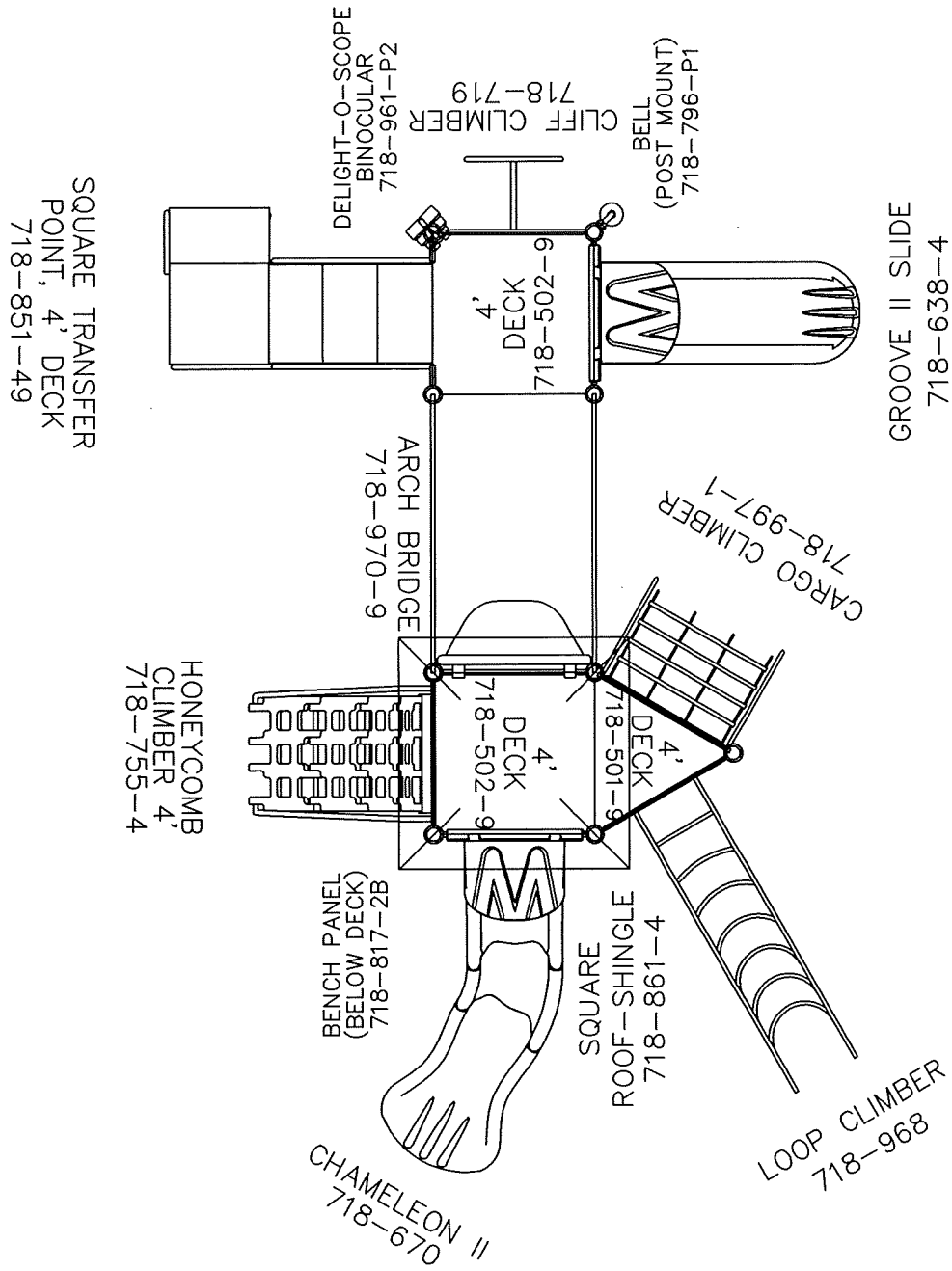
SCALE: 1/4"=1'-0"



GROUND SPACE: 16' X 22'
PROTECTIVE AREA: 28' X 35'

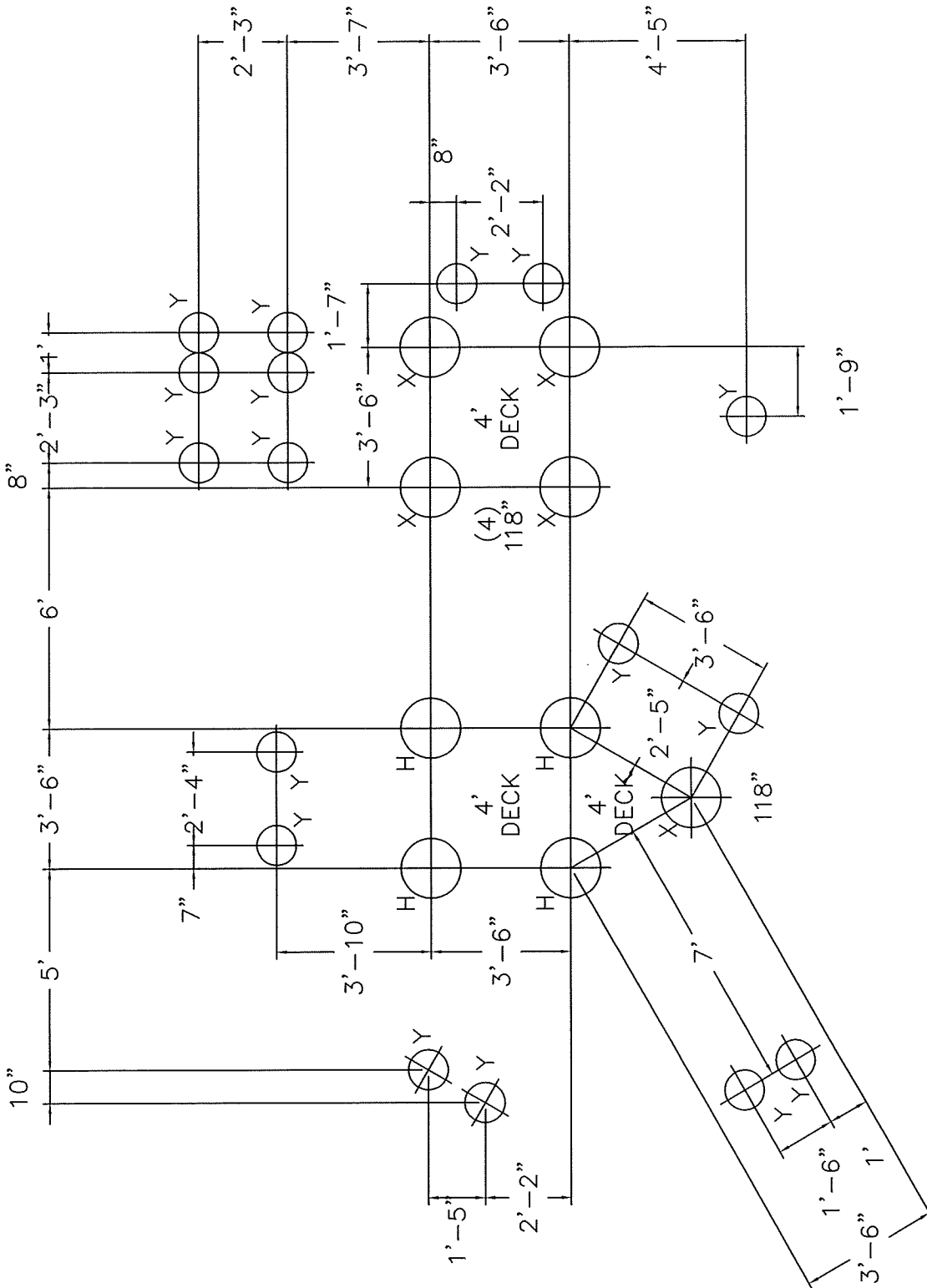
TOP VIEW

SCALE: 1/4" = 1'-0"



FOOTING LAYOUT

SCALE: 1/4" = 1'-0"



IMPORTANT NOTE: DO NOT POUR CONCRETE FOR FOOTINGS UNTIL ALL COMPONENTS ARE INSTALLED.

FOOTING INFORMATION

POST LOCATION:

FOOTING	MODEL	POST LENGTH
A.	718-575	190" POST
B.	718-554	166" POST.
C.	718-576	198" POST.
D.	718-551	100" POST.
E.	718-552	130" POST.
F.	718-553	148" POST.
G.	718-572	138" POST.
H.	718-573	162" POST.
J.	718-574	180" POST.
K.	718-583	151" ARCH.
L.	718-585	175" ARCH.
M.	718-586	193" ARCH.
N.	718-555	70" POST.

FOOTING SCHEDULE:

A-N. 18" DIA. X 18" DEEP.
X. 18" DIA. X 18" DEEP.
Y. 12" DIA. X 18" DEEP.
Z. 20" DIA. X 42" DEEP.

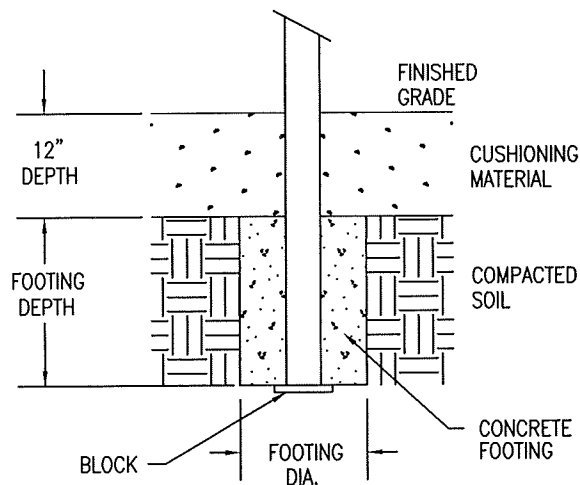
* LOCATIONS DETERMINED ON SITE.

FOOTING NOTES:

1. SOME EQUIPMENT LEGS MAY NOT REACH TO BOTTOM OF FOOTINGS.
2. ALLOW FOR BLOCK THICKNESS BY INCREASING FOOTING DEPTH WHEN APPLICABLE.

DECK & COMPONENT FOOTING DETAIL

SCALE: NONE





Installation Guide

Jan. 2, 2002 Rev. A

MIRACLE
RECREATION EQUIPMENT COMPANY

Miracle® Safety Panel - Rockite® Panel with Safety Information

714-734

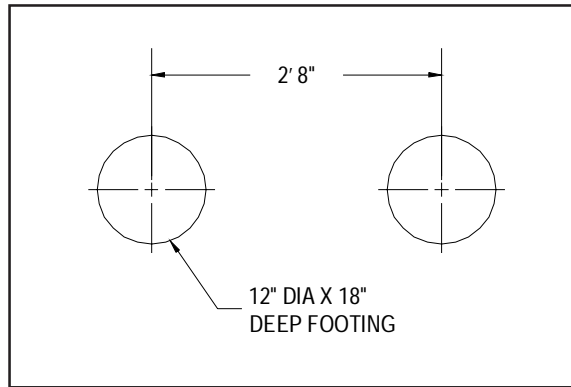
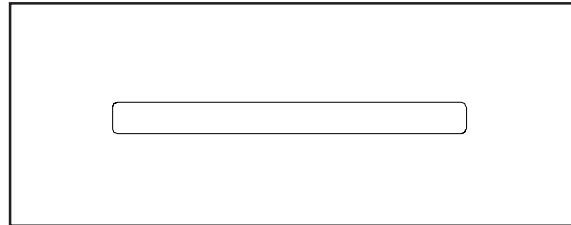
714-734-1

714-734-2

Miracle Safety Panel



Top View



Footing Layout

This Miracle Safety Panel is designed to help ensure safe play for all children. It is the customers' responsibility to install this Miracle Safety Panel near their Miracle playsystem(s), and to enforce these safety guidelines in their play areas at all times.

Safety Panel should be installed in a high-traffic, high-visibility location near your Miracle playsystem. "Welcome" side of Panel (with Age Appropriate label) must face outward, away from playsystem. "Attention" side of Panel (with Safety Rules) must face inward, toward playsystem. See other placement instructions in Step 2.

- Model # 714-734 = Ages 5 - 12**
- Model # 714-734-1 = Ages 2 - 5**
- Model # 714-734-2 = Ages 2 - 12**

Miracle Safety Panel

714-734, 714-734-1, 714-734-2

Miracle® Safety Panel - Rockite® Panel with Safety Information

PARTS IDENTIFICATION



RECOMMENDED ASSEMBLY SEQUENCE

1. Footings
2. Legs to Panel
3. Panel Assembly into Footings
4. Final Assembly

TOOLS AND EQUIPMENT REQUIRED

Also see 'Suggested Tools & Equipment' (Doc. # D70052) in "Installations 101"

1. Concrete for Footings; wheelbarrow or mixer; 5 gallon bucket; water supply
2. Digging equipment for Footings (spade shovel, post hole digger, auger)
3. Bracing materials (2x4s, wood pieces, patio blocks, sawhorses, jack stands, etc.)
4. Tape measure and level
5. Hex wrench or bit
6. Adult installers - 2 minimum



MIRACLE
RECREATION EQUIPMENT COMPANY

Miracle® Safety Panel - Rockite® Panel with Safety Information

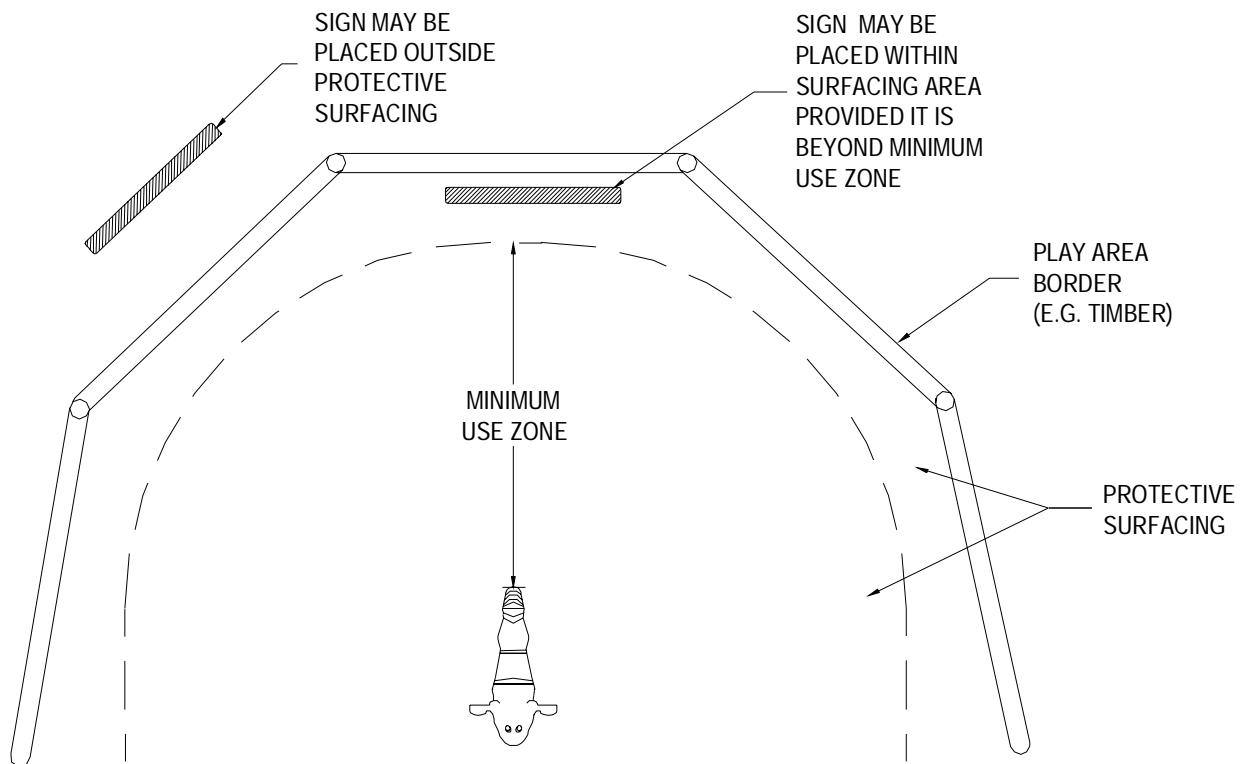
Jan. 2, 2002 Rev. A

STEP 1

Read **Safety Brochure 100, Important Notes**, these instructions, and other enclosed materials. Unpack, count, and become familiar with system components and hardware.

STEP 2

Determine appropriate location for Safety Panel, outside play equipment's Use Zone. Refer to **CPSC Handbook Section 5.1** for more information on Use Zones and protective surfacing. Also see placement notes on Page 1.



STEP 3

Dig Footings per *Top Views* and *Footing Layouts* or Construction Drawings. Refer to **Footing Details** installation.

Note: Do not pour concrete for Footings until Sign Assembly has been installed per instructions and braced in position level and plumb.

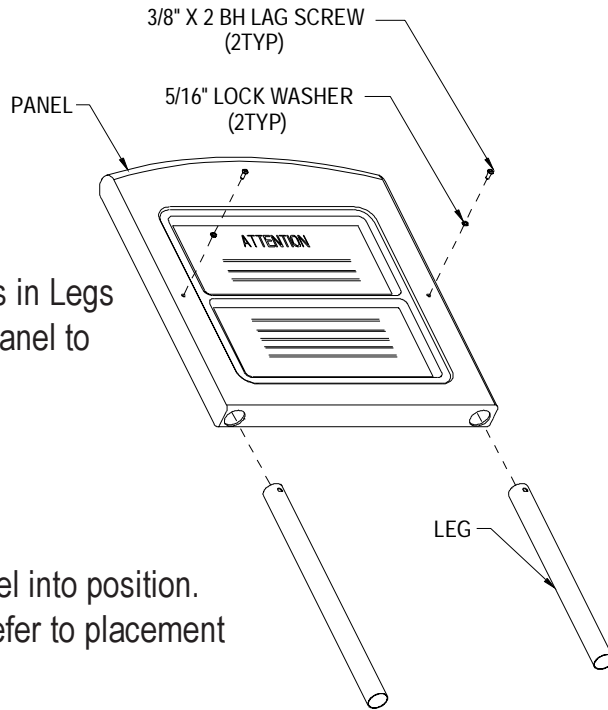
Miracle Safety Panel

714-734, 714-734-1, 714-734-2

Miracle® Safety Panel - Rockite® Panel with Safety Information

STEP 4

Insert Legs into bottom of Panel until holes in Legs align with bolting holes in Panel. Secure Panel to both Legs as shown. Do not over tighten.

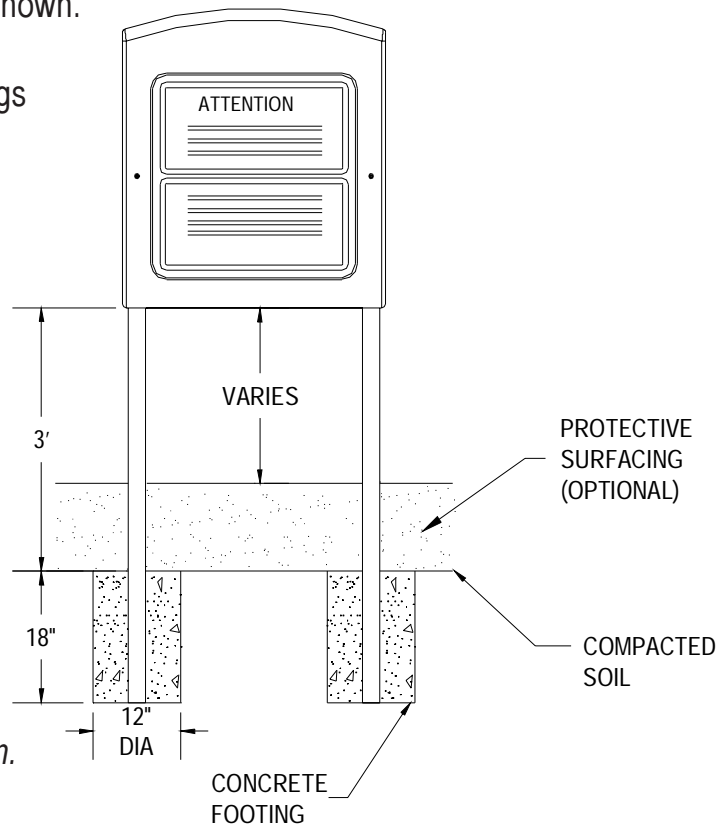


STEP 5

Place Legs in Footings and lift Safety Panel into position. Verify that Panel is orientated correctly. Refer to placement notes on Page 1.

Miracle recommends that regardless of whether Protective Surfacing is installed, bottom of Panel should be **36"** above compacted soil. Legs can be cut if lower height is desired, but Legs must reach bottom of Footings as shown.

Level and plumb assembly and brace Legs in Footings. Prepare to pour concrete.



FINAL STEP

Proceed with **Final Assembly** installation.

Tots' Choice®
Versalok® Fastening System

IMPORTANT! Prior to installation of any components, refer to **Playsystem Installation Guidelines and Tips** in the *Install 101* section of your manual. This section will provide important tips pertaining to site preparation, footings, system stabilization, and other necessary information vital to the success of your installation.

Models included in this installation guide:

<u>MODEL</u>	<u>DESCRIPTION</u>	<u>PAGE</u>
718-500	Versalok® Fastening System	1

Posts and additional components not included in this assembly.



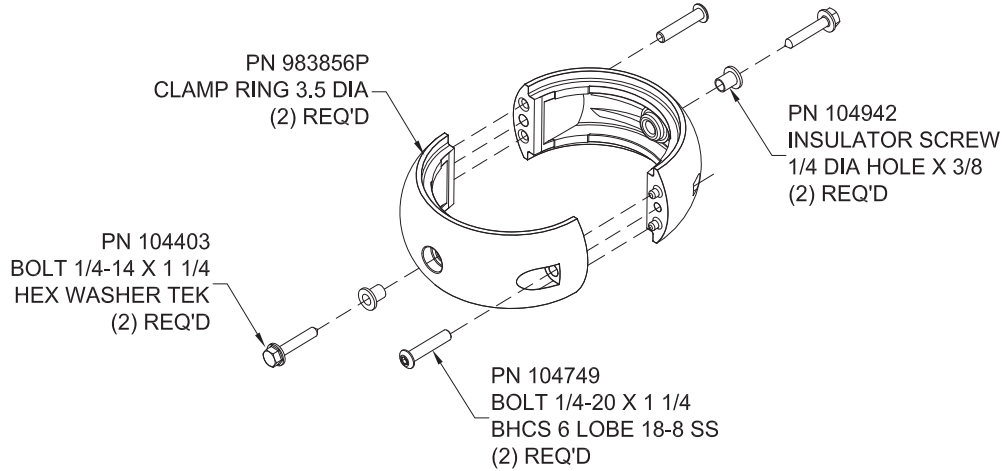
- Note:
- Deck, deck post, handrails and panel are not included.
 - Illustration demonstrates completed assembly with common components.
 - Versalok clamps mount to posts allowing connection of decks, enclosures and other components.
 - Support casting designs and hardware vary by component.

Versalok Fastening System

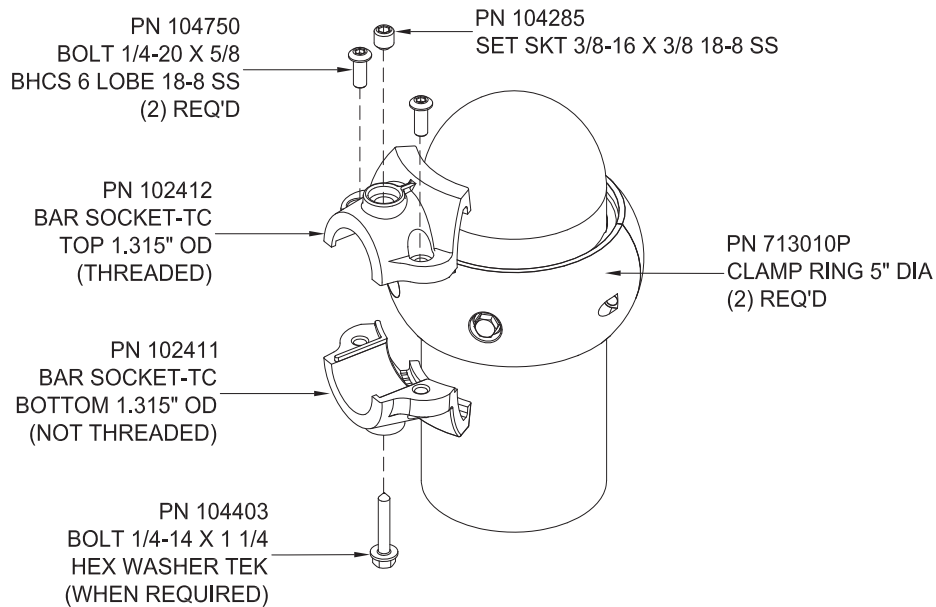
718-500

Tots' Choice® Versalok® Fastening System

A. 3.5" dia Clamp Ring Assembly



B. 2-PC Bar Socket w/1-5/16" dia Hole (for climber rails, etc.)

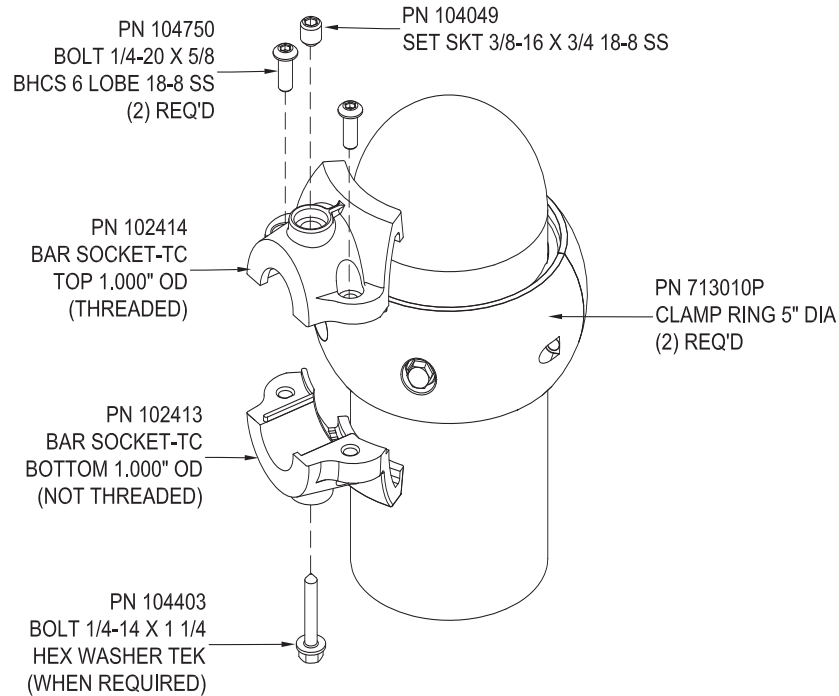


Note:

- Top and bottom halves of 2-pc. bar sockets can be reversed to ease installation.
- For bar socket only: Use self-drilling screw (PN 104403) only as required on models specified in installation instructions. This should not be used on any other model.

Tots' Choice®
Versalok® Fastening System

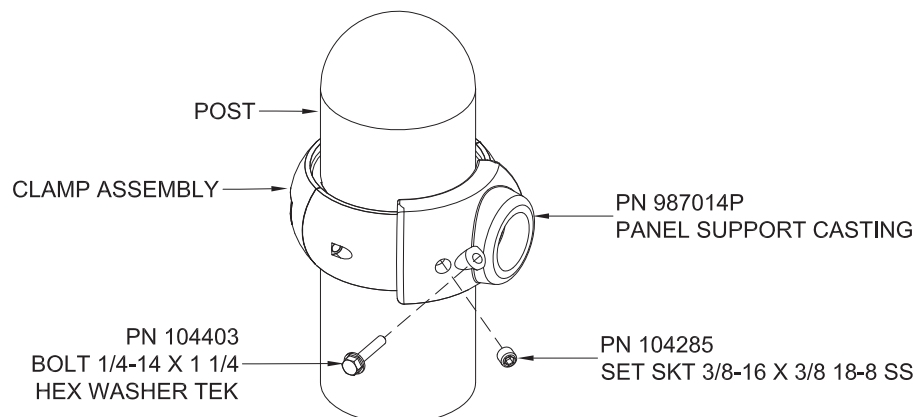
C. 2-PC Bar Socket w/1" dia Hole



Note:

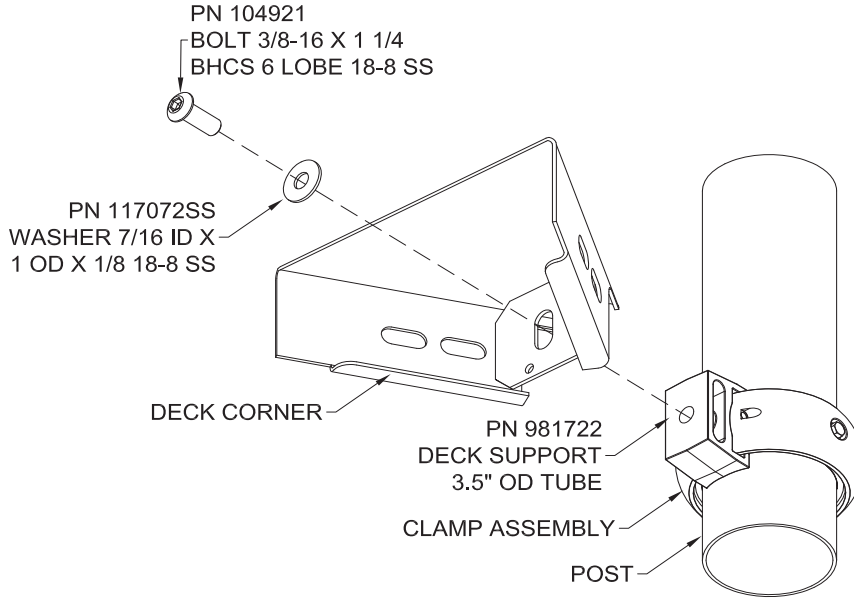
- Top and bottom halves of 2-pc. bar sockets can be reversed to ease installation.
- For bar socket only: Use self-drilling screw (PN 104403) only as required on models specified in installation instructions. This should not be used on any other model.

D. PANEL SUPPORT CASTING

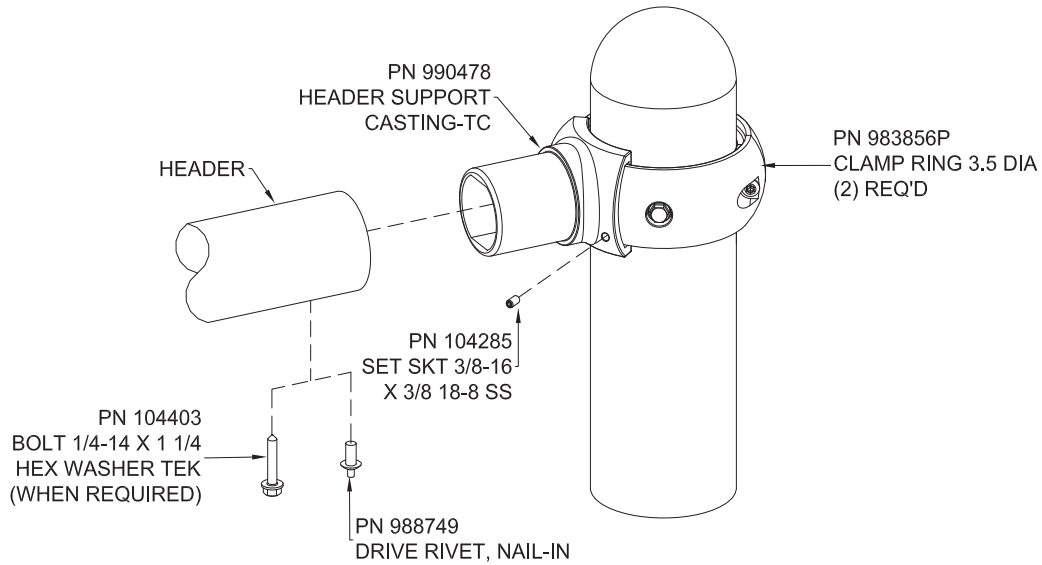


Tots' Choice® Versalok® Fastening System

E. Deck Support Casting



F. TCX Header Support Casting



Note:

- Refer to specific component installation instruction.

Tots' Choice®
Versalok® Fastening System

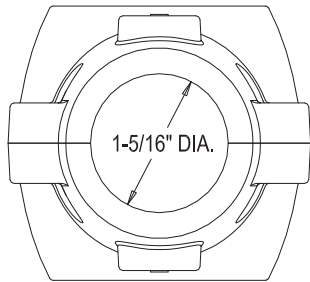
STEP 1 MATCH CLAMPS WITH POSTS & COMPONENTS

1a. Determine use(s) and location of each clamp ring based on Construction Drawings and/or installation instructions of playsystem's components. It is the installer's choice whether to assemble clamps to posts *before* or *after* setting posts into footings.

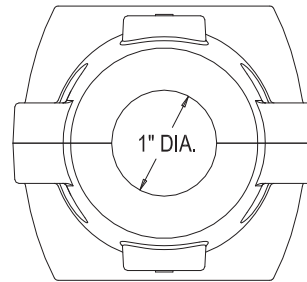
Note:

- Most measurements are made from finished grade, which accounts for post length below subgrade (in concrete, beneath compacted soil level) and 12" of loose-fill surfacing.
- Do not permanently affix clamps to posts with self-drilling screws, or pour concrete for footings, until all components in playsystem are installed per instructions and braced in position level and plumb.
- The Versalok Fastening System contains two sizes of bar sockets to accommodate components of two sizes: 1-5/16" O.D. tube and 1" O.D. tube. Take care to match correct size of bar socket with intended connecting component before affixing clamp rings to posts.

PN 102411, PN 102412:
 2-PC. BAR SOCKET FOR
 1.315" TUBE



PN 102413, PN 102414:
 2-PC. BAR SOCKET FOR
 1" TUBE



STEP 2 MARK CLAMP POSITIONS ON POSTS

2a. Determine clamp heights on posts per component instructions. Mark positions on posts with pencil or washable pen or marker.

2b. If assembly contains deck support castings, panel support castings or TCX header supports, slide each onto a clamp ring half *before* mating with opposite half around post. Otherwise, clamp ring will require disassembly during installation to add support castings.

Tots' Choice®
Versalok® Fastening System

STEP 3 FASTEN CLAMP RING HALVES AROUND POSTS

3a. Refer to first illustration on *page 2*. Connect clamp ring halves to each other around posts at marked heights with **1/4" x 1-1/4" BHCS bolts** (PN 104749) at each end. Orient clamp ring assembly so that recessed center holes (for securing clamp ring halves to post) will not be blocked when components are attached to support castings.

Note:

- For aesthetic purpose, it is advisable to assemble clamps around posts with text on surface oriented upright and legible, though clamp will function properly regardless.

STEP 4 COMPONENTS TO OR IN SUPPORT CASTINGS

4a. Seat component rail, rungs, edges, etc. in bar sockets or panel supports or against deck supports. Adjust clamp rings on posts as needed (maintaining heights specified in component instructions) to achieve plumb and level posts and components.

4b. Refer to illustrations on *pages 3 and 4* for support casting hardware requirements.

4c. Tighten hardware affixing components to support castings, castings to clamps and clamp rings around posts.

FINAL STEP SECURE CLAMPS TO POSTS

Permanently affix clamp rings to deck posts using self-drilling screws and screw insulators when all components in system have been installed, plumbed, leveled and braced in position for pouring of concrete. Proceed with ***Final Assembly installation*** located behind ***Installations 101*** in Installation Manual.



Installation Guide

Mar. 15, 1999 Rev. C

Tots' Choice™

MIRACLE
RECREATION EQUIPMENT COMPANY

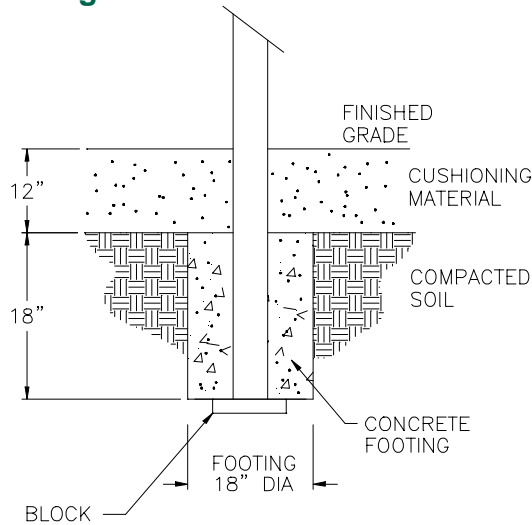
Footing Details - Deck Posts & Components, Chain/Rope & Tire, Cargo

Deck Posts and Components

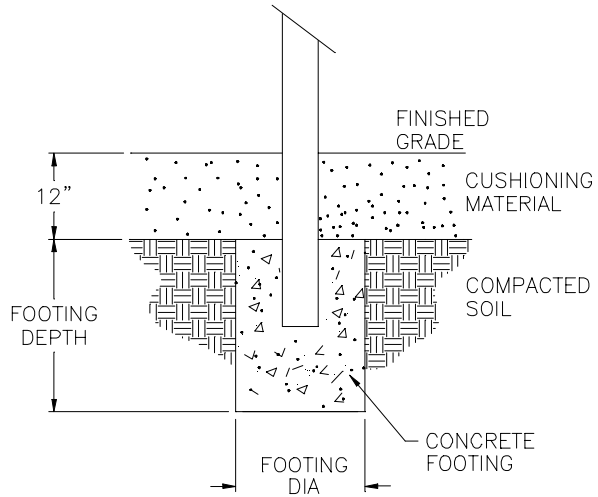
Chain / Rope & Tire

Cargo

Tots' Choice Deck Post Footing Detail



Component Footing Detail



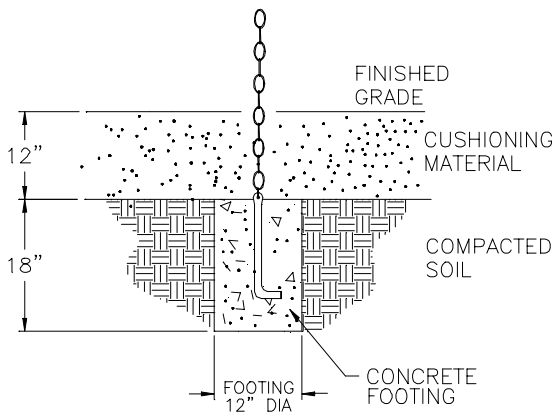
Note: Block at bottom of Footing hole is optional, and recommended for installation of deck posts. If used, compensate by digging deeper Footing(s).

Deck Posts & Components

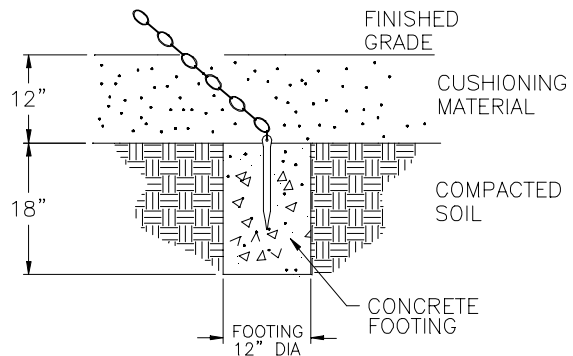
Chain / Rope and Tire

Cargo

Chain Ladder & Climbing Rope Footing Detail



Tire Climber Footing Detail



Footing Details - Tots' Choice

718500F



Tots' Choice™

MIRACLE
RECREATION EQUIPMENT COMPANY

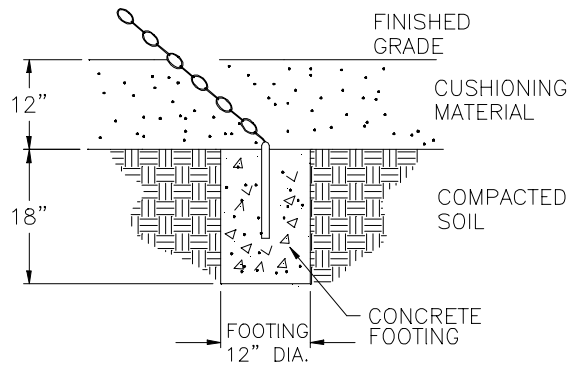
Footings Details - Deck Posts & Components, Chain/Rope & Tire, Cargo

Deck Posts & Components

Chain / Rope & Tire

Cargo Net / Climber

Cargo Net & Cargo Climber Footing Detail



Footings Details - Tots' Choice

718500F



MIRACLE
RECREATION EQUIPMENT COMPANY

Installation Guide

Tots' Choice® - Mira-Therm II
Decks

IMPORTANT! Prior to installation of any components, refer to Playsystem Installation Guidelines and Tips in the *Install 101* section of your manual. This section will provide important tips pertaining to site preparation, footings, system stabilization, and other necessary information vital to the success of your installation.

Models included in this installation guide:

<u>MODEL #</u>	<u>DESCRIPTION</u>	<u>PAGE #</u>
718-501-9	Triangle Deck	2
718-502-9	Square Deck	2
718-503-9	Half Hexagon Deck	3
718-504-9	Half Hexagon Deck - Open	3

Deck Posts NOT included in these assemblies

Please refer to Construction Drawings for the model particular to your system.

TOOLS AND EQUIPMENT REQUIRED

Also see 'Suggested Tools & Equipment' (Doc. # D70052) in "Installations 101"

1. Concrete for footings, wheelbarrow or mixer, 5 gallon bucket, water supply
2. Digging equipment for footings (spade shovel, post hole digger, auger)
3. Bracing materials (2x4s, wood pieces, sawhorses, etc.)
4. Open end wrench set, Allen and 6-lobe wrenches or bits, socket set, screwdrivers
5. Drill, bits, extension cords, power supply
6. Tape measure and level
7. Step ladder
8. Adult installers - 2 minimum

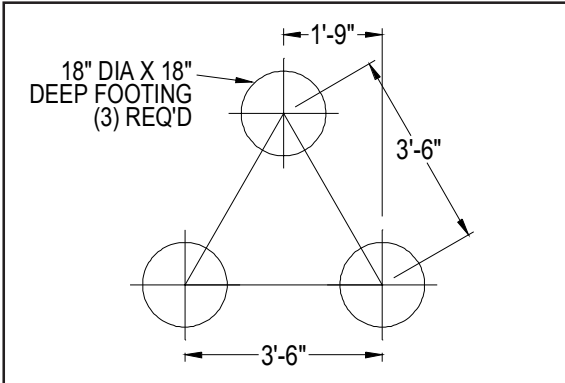
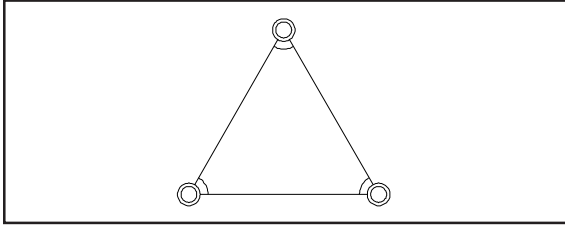


MIRACLE
RECREATION EQUIPMENT COMPANY

Tots' Choice® - Mira-Therm II
Decks

Decks

Top View

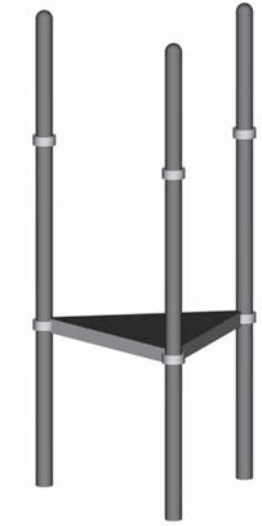


Footings Layout

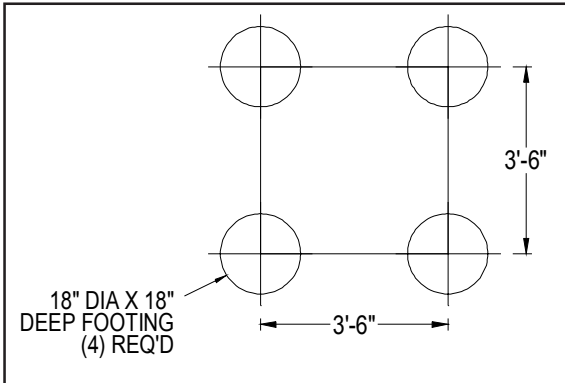
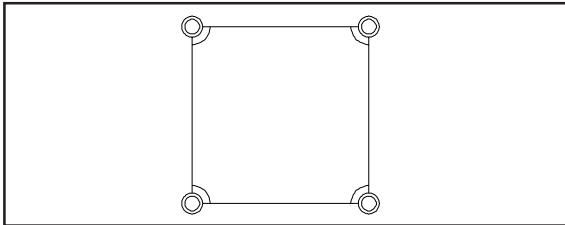
718-501-9

Triangle Deck (Tri-Deck)

Model # 718-501-9 requires three (3) Posts.



Top View



Footings Layout

718-502-9

Square Deck

Model # 718-502-9 requires four (4) Posts.



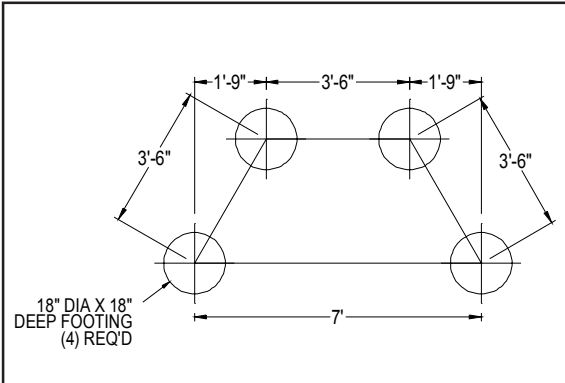
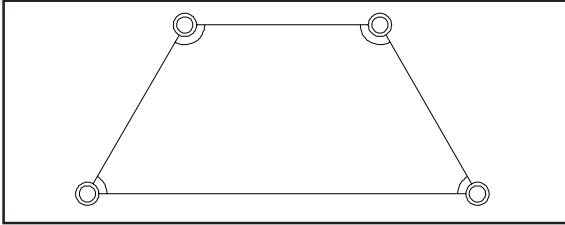
718-501-9, 718-502-9, 718-503-9, 718-504-9



Tots' Choice® - Mira-Therm II
Decks

Decks

Top View

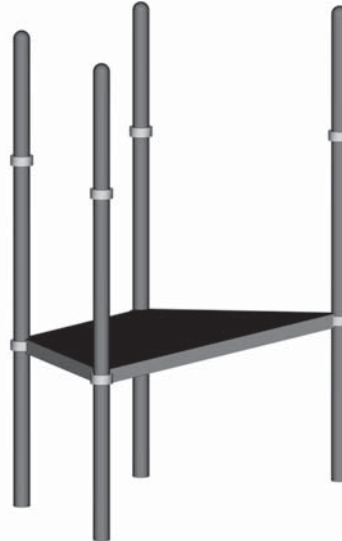


Footing Layout

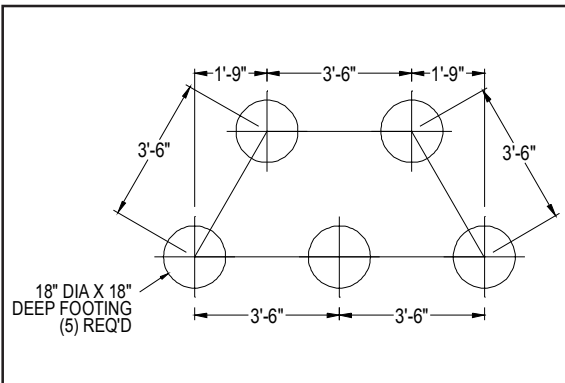
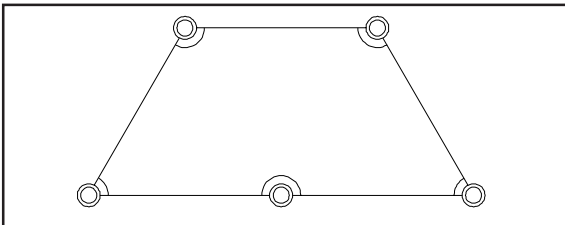
718-503-9

Half Hexagon Deck (1/2 Hex)

Model # 718-503-9 requires four (4) Posts if used with Flippo components, or six (6) Posts and two (2) Decks to form a complete Hex Deck.



Top View



Footing Layout

718-504-9

Half Hexagon Deck - Open (1/2 Hex Open)

Model # 718-504-9 requires five (5) Posts.



718-501-9, 718-502-9, 718-503-9, 718-504-9

Tots' Choice® - Mira-Therm II Decks

Each Deck system requires a number of Posts or Arches, available in various heights and configurations, to facilitate different Deck and component heights. Refer to *Top Views*, *Footing Layouts*, and *Construction Drawings* specifically for this installation to determine type and location of each Deck Post or Arch.

STEEL OR ALUMINUM DECK POSTS

Steel Model #	Aluminum Model #	Description	For use with
718-551	718-551-2	100" Deck Post	Decks - 2'-6" or lower
718-552	718-552-2	130" Deck Post	Decks - 3' to 5'
718-553	718-553-2	148" Deck Post	Decks - 5'-6" to 6'
718-555	718-555-2	70" Deck Post	Freestanding Panels
718-572	718-572-2	138" Deck Post	Decks - 3' or lower (with Roof)
718-573	718-573-2	162" Deck Post	Decks - 3'-6" to 5' (with Roof)
718-574	718-574-2	180" Deck Post	Decks - 5'-6" to 6' (with Roof)
718-583	718-583-2	151" Arch	Decks - 3' or lower
718-585	718-585-2	175" Arch	Decks - 3'-6" to 5'
718-586	718-586-2	193" Arch	Decks - 5'-6" to 6'

STEP 1 DIG FOOTINGS

Dig Footings per *Top Views* and *Footing Layouts* or *Construction Drawings*. Refer to *Footing Details installation* located behind *Installations 101* in Installation Manual.

Install Tip: Determine thickness of blocking material (such as patio blocks.) Dig Footings that amount deeper and place blocks beneath Deck Posts in Footings. This gives playsystem additional stability and helps ensure it remains level and plumb until concrete is fully cured.

Note: Do not pour concrete for footings until components illustrated in this installation guide have been installed per instructions and braced in position level and plumb.



Tots' Choice® - Mira-Therm II
Decks

STEP 2 SET POSTS INTO FOOTINGS

Set Posts into Footings and verify that tops of plumb Posts are level on same (or correct) plane.

Note: One Arch functions as two Deck Posts. Legs of Arch may vary slightly in length. Plumb each Arch leg so that Arch Assembly stands plumb at desired height, and adjust Footing depth or block up short leg as needed.

STEP 3 ASSEMBLE DECK SUPPORTS AND BAR SOCKETS (IF APPLICABLE) TO CLAMP RINGS

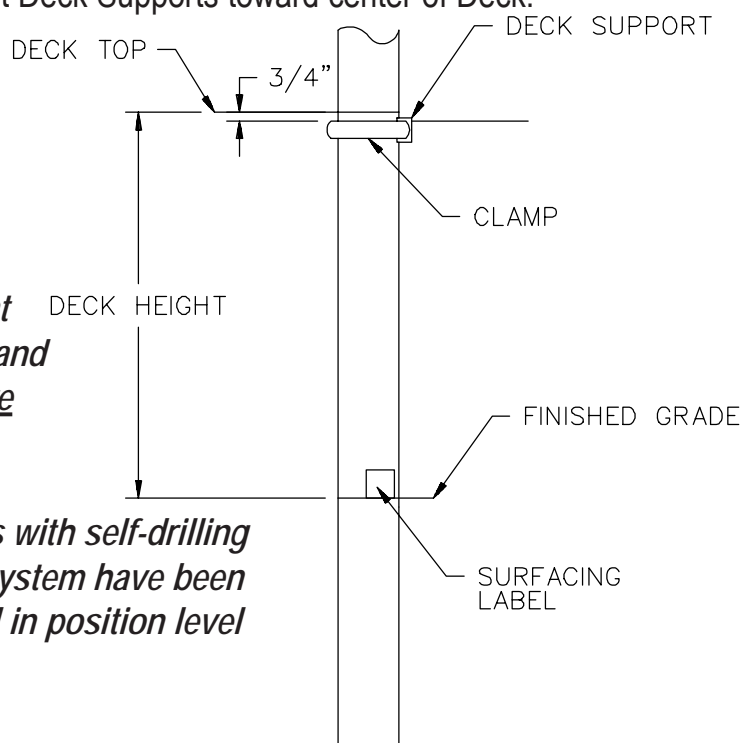
Refer to *Versalok Fastening System installation* located behind *Installations 101* in Installation Manual.

Place Deck Supports (and Bar Sockets, if applicable) on each Clamp Ring and loosely assemble Clamp Ring halves around Posts so that tops of Clamps are approximately 3/4" below intended Deck height. Orient Deck Supports toward center of Deck.

Apply a "Top of Surfacing" label to each Deck Post 12" above compacted soil.

Note: If a Post must "share duty" by supporting an adjacent Deck system at equal height or an adjacent component, slide all Deck Supports and Bar Sockets onto Clamp Rings before assembling to Posts.

Note: Do not secure Clamps to Posts with self-drilling screws until all components in playsystem have been installed per instructions and braced in position level and plumb.



STEP 4 DRILL EXCESS PVC

Use drill to ream excess PVC from Deck Support mounting holes in Deck corners.

Tots' Choice® - Mira-Therm II Decks

STEP 5 ATTACH DECK TO POSTS

Rest Deck on Clamps, and plumb and brace Deck Posts in position. Readjust position of Clamps on Posts as needed to ensure that Deck is level at desired height.

Align Deck corner mounting holes with Deck Supports and attach each with 3/8" x 1-1/4" button head bolt (P/N 104921) and 7/16" I.D. x 1" O.D. flat washer (P/N 117072SS). Do not embed washer in deck coating by overtightening bolt.

Install Tip: Employ a jack stand or other blocking material to support Deck system at proper height until other components are attached, to prevent leaning or twisting of Deck assemblies and to temporarily lend stability.

STEP 6 AFFIX DECK SECTIONS TOGETHER; IF APPLICABLE

If installing Deck systems with sections sharing a long side at same height (without a middle Post,) use drill to ream excess deck coating from four (4) mating holes in long side edge angle on both Deck sections. Secure Deck sections together with 3/8" x 1-1/8" button head bolts (P/N 104930), 3/8" flat washers (P/N 117005) on each side, and 3/8" Nylok nut (P/N 110030).

Deck sections which share a 3'-6" side at same or varying heights attach to common Posts per previous instructions. Deck-to-Deck fastening on a common 3'-6" side is not necessary.

FINAL STEP

Square, plumb and level Deck Assembly. Tighten Clamps on Posts, and assemble remaining components to Deck system. When complete, proceed with *Final Assembly installation* located behind *Installations 101* in Installation Manual.



MIRACLE
RECREATION EQUIPMENT COMPANY

Installation Guide

October 19, 2009

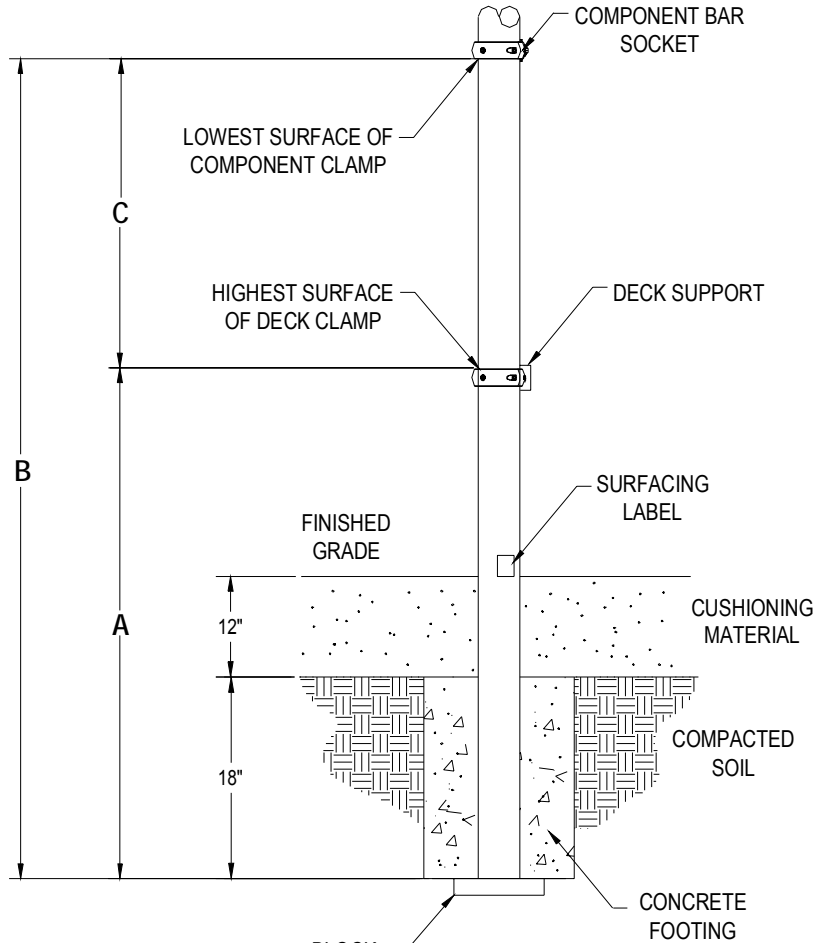
Rev. B

Tots' Choice®

Pre-Installation Preparation of Clamps to Deck Posts

This procedure is an optional step for playsystem installations.

Clamp Locations on Posts by Deck Height



Deck Ht.	A *	B *	C	Deck Ht.	A *	B *	C
0'-6"	35-1/4"	72-3/4"	37-1/2"	4'-6"	83-1/4"	120-3/4"	37-1/2"
1'-0"	41-1/4"	78-3/4"	37-1/2"	5'-0"	89-1/4"	126-3/4"	37-1/2"
1'-6"	47-1/4"	84-3/4"	37-1/2"	5'-6"	95-1/4"	132-3/4"	37-1/2"
2'-0"	53-1/4"	90-3/4"	37-1/2"	6'-0"	101-1/4"	138-3/4"	37-1/2"
2'-6"	59-1/4"	96-3/4"	37-1/2"	6'-6"	107-1/4"	144-3/4"	37-1/2"
3'-0"	65-1/4"	102-3/4"	37-1/2"	7'-0"	113-1/4"	150-3/4"	37-1/2"
3'-6"	71-1/4"	108-3/4"	37-1/2"	7'-6"	119-1/4"	156-3/4"	37-1/2"
4'-0"	77-1/4"	114-3/4"	37-1/2"	8'-0"	125-1/4"	162-3/4"	37-1/2"

* Dimensions measured from bottom end of Deck Post

Note: The values in this chart assume 18" deep footing plus 12" protective surfacing. If planned drainage system or other factors affect height of finished grade, adjust chart values accordingly.

Special thanks to the crew of Ozark Mountain Installations, Inc. in Monett, Missouri, for recommending this procedure.

Pre-Install Prep - Clamps to Deck Posts

718-522

Tots' Choice®

Pre-Installation Preparation of Clamps to Deck Posts

Many installers prefer to assemble Deck-supporting Clamps and corresponding Component-supporting Clamps around Deck Posts at correct heights all at once as part of their "prep work," in order to save time and effort during installation of other playsystem components.

Miracle's *Installation Guides* provide dimensions and instructions for mounting each model and its parts individually and consecutively, regardless of whether this prep work is completed. It is at the installers' discretion whether to reference this procedure.

The instructions, diagram and chart herein refer to locations for marking and connecting Clamps around Deck Posts only (i.e. Posts without Decks do not apply.) Refer to *Versalok Fastening System* installation instructions in this *Manual* for assembly details.

Note: Do not use self-drilling screws to secure Clamps to Posts until all components in system have been installed per instructions, and are plumb, level and braced in position. This will allow Clamps to be shifted as needed during installation of remaining components.

It is important to note that until Clamps are permanently secured, Deck systems and other components are UNSAFE TO STAND ON!

Note: This procedure is valid only if footing depths are precise and consistent. Continue only if a transit or other device will be used to verify accuracy.

If Blocks will be placed beneath Deck Posts at bottom of footing holes as recommended, compensate for extra height by digging holes deeper. Refer to *Footing Details*.

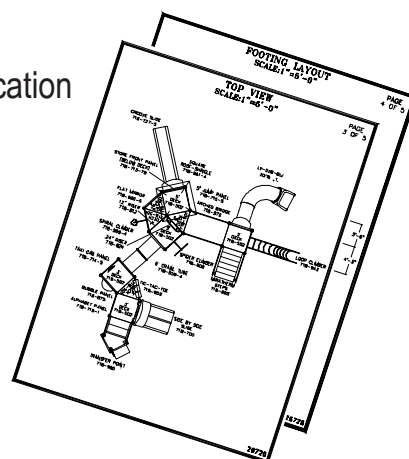
STEP 1

Remove wrapping from Deck Posts, verifying that Part Identification Labels match Parts Lists in this *Installation Manual*.

STEP 2

Study enclosed *Top View* and *Footing Layout*, located behind "Construction Drawings" tab.

Locate all Deck Posts in playsystem, and determine which size Bar Socket(s) should be attached to each Deck Post.



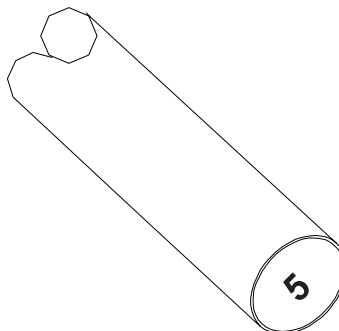


Tots' Choice®

Pre-Installation Preparation of Clamps to Deck Posts

STEP 3

Plan installation sequence of Decks and other system components. Assign each Deck Post a number. Write numbers by Posts on *Footing Layout* or *Top View* for later reference, then use a permanent marker to write identical numbers inside bottom of corresponding Deck Posts.



STEP 4

Place Deck Posts on sawhorses or other sturdy, non-abrasive surface.

Note intended usage and location of each Deck Post (for which Deck heights), and refer to chart on *Page 1*. Measure from bottom of each Deck Post and mark location of highest surface of Deck-supporting Clamp (A), *not Deck Support*.

STEP 5

Refer to *Versalok Fastening System Installation Guide*. Slide Deck Support(s) onto Deck-supporting Clamp halves, and assemble both halves of Clamp Rings around Deck Posts tightly, aligning top surface of Clamp Ring (*not Deck Support*) with mark.

STEP 6

Measure and mark Deck Post at lowest surface of Component-supporting Clamp (B).

STEP 7

Slide correct size(s) of Bar Socket(s) onto Component-supporting Clamp Ring halves, and assemble Rings around Deck Posts at marks. Verify that distance between A and B is (C) value in third column of chart.

FINAL STEP

Repeat procedure starting at *Step 4* until all Deck Posts are position-planned, numbered, and assembled with Clamp Rings and Deck Supports, when applicable.

Tots' Choice®

Steel Posts & Aluminum Posts - 3-1/2" O.D.

These components may be used in Deck systems as well as freestanding and other assemblies.

Steel Posts & Aluminum Posts - 3-1/2" O.D.

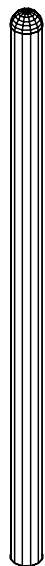


Steel Posts - 3-1/2" O.D.

MODEL	DESCRIPTION	USES	PART #
718-549-3	106" Deck Post.....	3' Decks.....	995232P
718-549-4	118" Deck Post.....	4' Decks.....	995233P
718-550-3	200" Deck Post (PlayCover)....	3' Deck & Less	997245P
718-550-5	216" Deck Post (PlayCover)....	3'-6" to 5' Decks.....	997251P
718-550-6	232" Deck Post (PlayCover)....	5'-6" to 6'-6" Decks..	997257P
718-550-8	248" Deck Post (PlayCover)....	7' to 8' Decks.....	997227P
718-551	100" Deck Post	2'-6" Decks & less ..	981925P
718-552	130" Deck Post	3' to 5' Decks	981926P
718-552L	130" Deck Post w/CPSIA Label	3' to 5' Decks.....	996062P
718-553	148" Deck Post	5'-6" to 6'-6" Decks..	981927P
718-554	166" Deck Post	7'-0" to 8'-0" Decks..	990656P
718-555	70" Post for Play Panels	Play Panels	982294P
718-571	100" Deck Post (for Roof).....	Ground Level.....	114145P
718-572	138" Deck Post (for Roof)	3' Decks & less	981928P
718-573	162" Deck Post (for Roof)	3'-6" to 5' Decks	981930P
718-574	180" Deck Post (for Roof)	5'-6" to 6'-6" Decks..	981929P
718-575	190" Deck Post (for Roof).....	6'6" Deck.....	114965P
718-576	198" Deck Post (for Roof)	7'-0" to 8'-0" Decks..	114957P

Top Views not shown. Refer to playsystem's *Installation Guide* and/or *Construction Drawing* for Footing Layouts.

Tots' Choice®
Steel Posts & Aluminum Posts- 3-1/2" O.D.



Aluminum Posts - 3-1/2" O.D.

MODEL	DESCRIPTION	USES	PART #
718-549-32	106" Deck Post.....	3' Decks.....	995234P
71-549-42	118" Deck Post.....	4' Decks.....	995235P
718-551-2	100" Deck Post	2'-6" Decks & less ..	989070P
718-552-2	130" Deck Post	3' to 5' Decks	989071P
718-552-2L	130" Deck Post w/CPSIA Label	3' to 5' Decks	996066P
718-553-2	148" Deck Post	5'-6" to 6'-6" Decks..	989073P
718-555-2	70" Post for Play Panels	Play Panels	989069P
718-572-2	138" Deck Post (for Roof)	3' Decks & less	989072P
718-573-2	162" Deck Post (for Roof)	3'-6" to 5' Decks	989074P
718-574-2	180" Deck Post (for Roof)	5'-6" to 6'-6" Decks..	989075P

Top Views not shown. Refer to playsystem's *Installation Guide* and/or *Construction Drawing* for Footing Layouts.

Note: Miracle Recreation attaches a CPSIA label to transfer points and 2' stairs. If your composite structure does not have one of these components, there will be ONE post with the label attached. This label will be attached so that when installed it will be approximately 6" above finished grade. Ensure this label is readable and not covered by clamps, hardware or other equipment. If you do NOT have a component with label, contact your Miracle sales representative.

718-549-3, 718-549-4, 718-549-32, 718-549-42, 718-550-3, 718-550-5, 718-550-6, 718-550-8, 718-551, 718-551-2, 718-552, 718-552L, 718-552-2, 718-552-2L, 718-553, 718-553-2, 718-554, 718-555, 718-555-2, 718-571, 718-572, 718-572-2, 718-573, 718-573-2, 718-574, 718-574-2, 718-575, 718-575-2, 718-576

Tots' Choice®

Steel Posts & Aluminum Posts- 3-1/2" O.D.**STEP 1** DIG FOOTINGS

Use playsystem's *Installation Guide* and/or *Construction Drawing* to determine footing locations, and use shovel, posthole digger, auger, etc. to dig footings.

Refer to *Footing Details installation*.

STEP 2 PLACE POSTS INTO FOOTINGS

Place Posts into footings. Plumb and brace in position.

Note: Do not pour concrete for footings, or permanently secure Clamps to Posts with self-drilling screws, until all components in system or freestanding assembly have been installed per instructions and braced in position level and plumb.

FINAL STEP

Install remaining Playsystem components per instructions. Verify that components are at correct heights, angles, etc., and are plumb and level.

Secure Posts in footings with concrete. Allow 72 hours to cure before removing braces. Refer to *Final Assembly installation*.

Steel Posts & Aluminum Posts - 3-1/2" O.D.

718-549-3, 718-549-4, 718-549-32, 718-549-42, 718-550-3, 718-550-5, 718-550-6, 718-550-8, 718-551, 718-551-2, 718-552, 718-552L, 718-552-2, 718-552-L, 718-553, 718-553-2, 718-554, 718-555, 718-555-2, 718-571, 718-572, 718-572-2, 718-573, 718-573-2, 718-574, 718-574-2, 718-575, 718-576

Tots' Choice®

4', 5', 6', 6'-6" & 8' Groove® II Slide

NOTE: *Deck System not included in this assembly.*

IMPORTANT! Prior to installation of any components, refer to Playsystem Installation Guidelines and Tips in the *Install 101* section of your manual. This section will provide important tips pertaining to site preparation, footings, system stabilization, and other necessary information vital to the success of your installation.

Models included in this installation guide:

<u>MODEL #</u>	<u>DESCRIPTION</u>	<u>PAGE #</u>
718-638-4	Groove II Slide for 4' Deck	2
718-638-5	Groove II Slide for 5' Deck	2
718-638-6	Groove II Slide for 6' & 6'-6" Deck	3
718-638-8	Groove II Slide for 8' Deck	3

Please refer to Construction Drawings for the model particular to your system.

TOOLS & EQUIPMENT REQUIRED

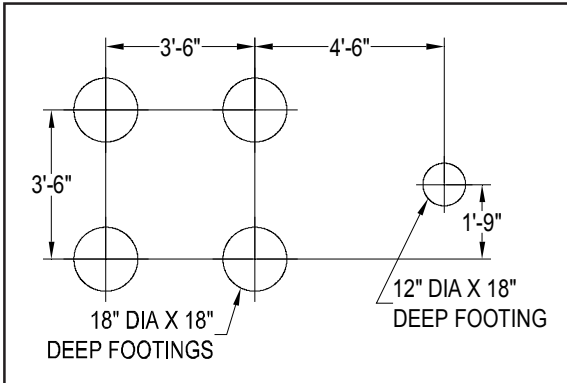
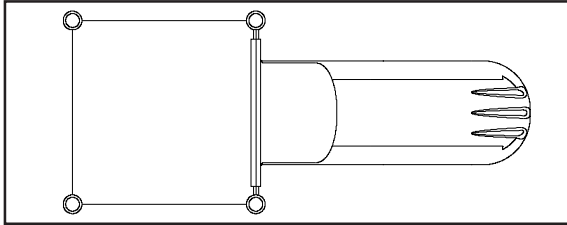
Also see 'Suggested Tools & Equipment' (Doc. # D70052) in "Installations 101"

1. Concrete for footings, wheelbarrow or mixer, 5 gallon bucket, water supply
2. Digging equipment for footing holes (spade shovel, post hole digger, auger)
3. Bracing materials (2x4s, wood pieces, concrete blocks, bricks, jack stands, sawhorses, etc.)
4. Tape measure and level
5. Open end wrench set, Allen and 6-lobe wrenches or bits, socket set, screwdrivers
6. Drill, bits, extension cords, power supply
7. Step ladder
8. Rubber mallet
9. Adult installers - 3 minimum

4', 5', 6', 6'-6", 8' Groove II Slide

Tots' Choice® 4', 5', 6', 6'-6" & 8' Groove® II Slide

Top View



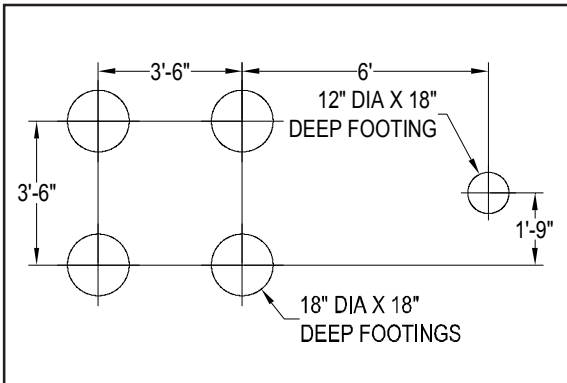
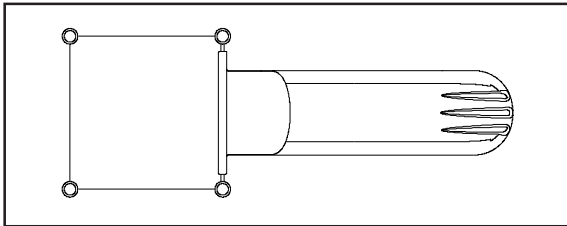
Footing Layout

718-638-4

4' Groove II Slide



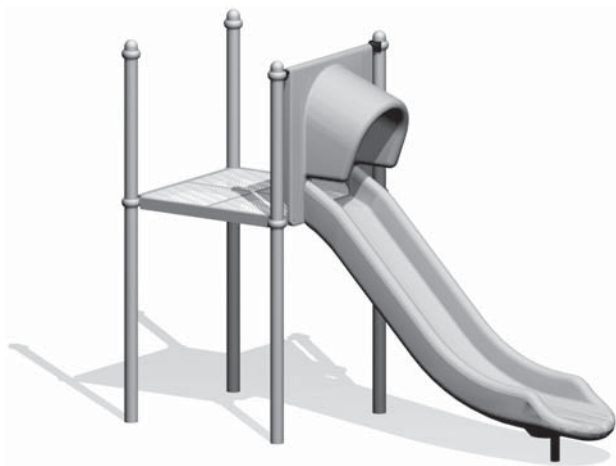
Top View



Footing Layout

718-638-5

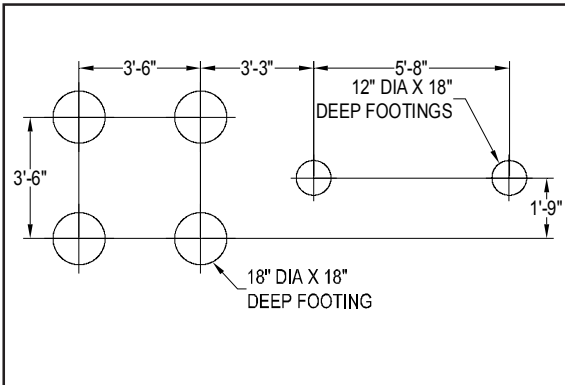
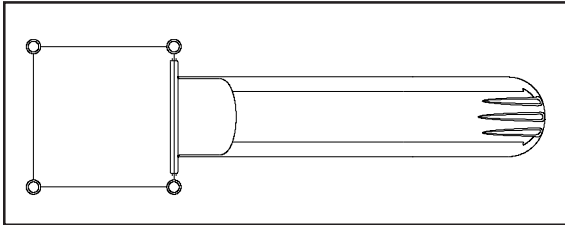
5' Groove II Slide



718-638-4, 718-638-5, 718-638-6, 718-638-8

Tots' Choice®
4', 5', 6', 6'-6" & 8' Groove® II Slide

Top View



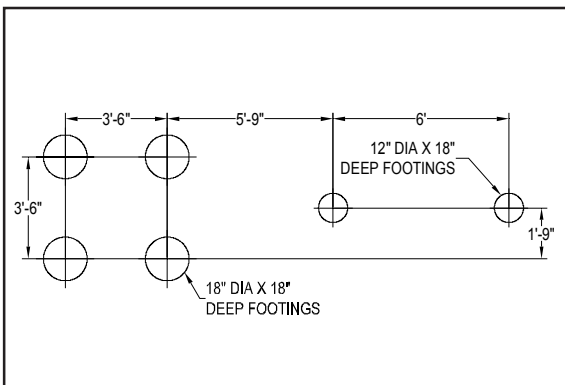
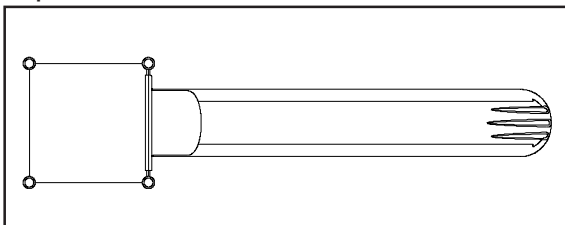
Footing Layout

718-638-6

6' & 6'-6" Groove II Slide



Top View



Footing Layout

718-638-8

8' Groove II Slide



4', 5', 6', 6'-6", 8' Groove II Slide

718-638-4, 718-638-5, 718-638-6, 718-638-8

Tots' Choice®

4', 5', 6', 6'-6" & 8' Groove® II Slide**STEP 1** INSTALL DECK SYSTEM PER SEPARATE INSTRUCTIONS

Install Deck system per separate instructions. Plumb, level, and brace in position.

STEP 2 DIG FOOTINGS

Dig Footing(s) per *Footing Layout* or Construction Drawings and *Footing Details installation*.

Note: Do not pour concrete for footings or permanently secure Clamps to Posts with self-drilling screws until components illustrated in this installation guide have been installed per instructions and braced in position level and plumb.

STEP 3 ASSEMBLE CLAMPS AND BAR SOCKETS TO POSTS

Refer to *Versalok Fastening System installation* located behind *Installations 101* in Installation Manual.

Loosely assemble Clamp Rings around Posts so that bottom edge of each Clamp is 37-3/8" from top edge of Deck-supporting Clamp. Loosely assemble Bar Sockets to Clamps and orient toward center of Deck face.

STEP 4 INSERT RUNG THROUGH CANOPY TOP

Insert Rung (P/N 713110) through top of Canopy Panel until equal lengths are exposed on each end.

STEP 5 BOLT PANEL TO DECK

Refer to *Step 8 illustration* on *Page 3*. Align holes in Canopy Panel bottom with holes in Deck face and use drill to ream excess coating from only those bolting holes in Deck. Replace Canopy Panel against Deck, and bolt Panel to Deck through two (2) outermost holes as shown in illustration.

STEP 6 SET CANOPY RUNG IN PANEL SUPPORT CASTINGS;
TIGHTEN HARDWARE

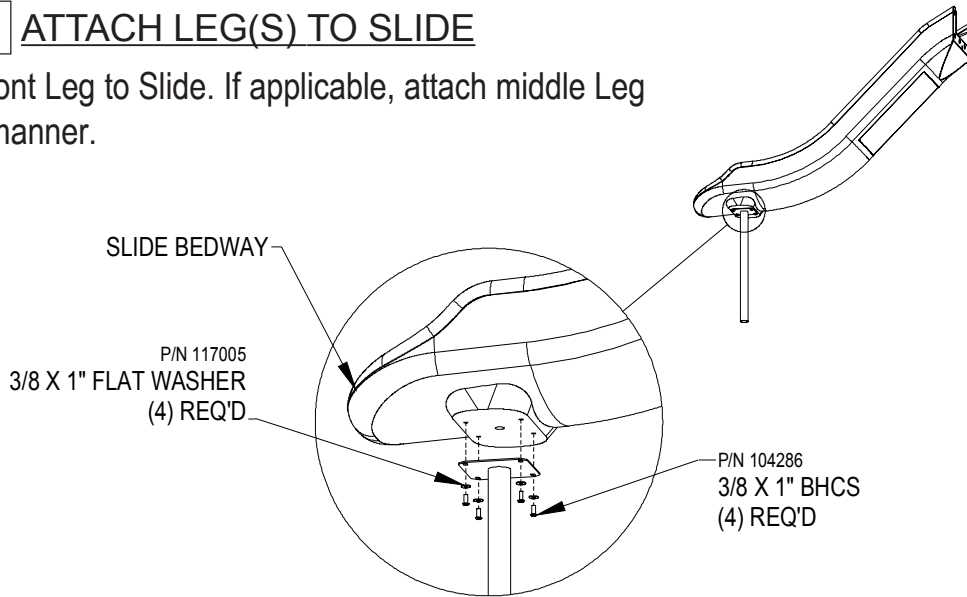
Refer to *Versalok Fastening System installation*.

Place Rung ends into Support Castings on Clamps. Ensure that Canopy Panel is plumb and level. Tighten Rung in Support Castings with 1/4" self drilling screws, Support Castings on Clamps and Clamp Rings around Posts.

Tots' Choice®
4', 5', 6', 6'-6" & 8' Groove® II Slide

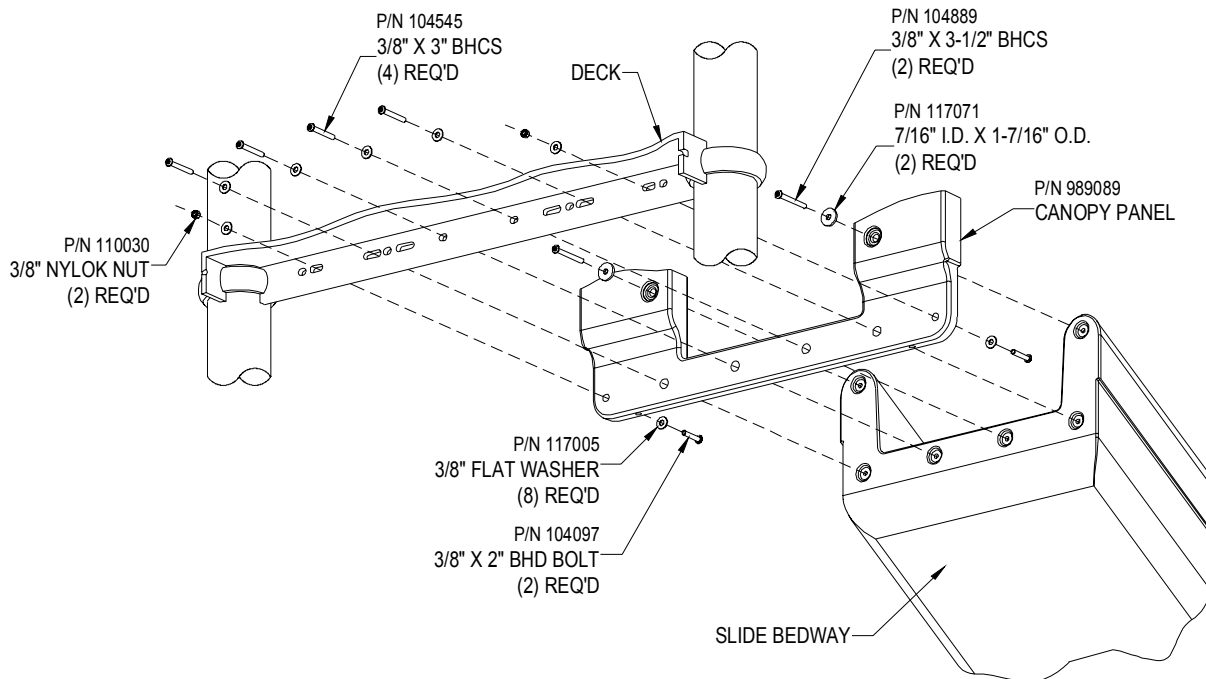
STEP 7 ATTACH LEG(S) TO SLIDE

Attach Front Leg to Slide. If applicable, attach middle Leg in same manner.



STEP 8 AFFIX SLIDE

Position Slide against Canopy Panel and Deck, setting Leg(s) into Footing(s). Bolt through Deck and Canopy Panel into Slide at four (4) locations. Bolt through Canopy Panel into Slide's side rails at two (2) locations.

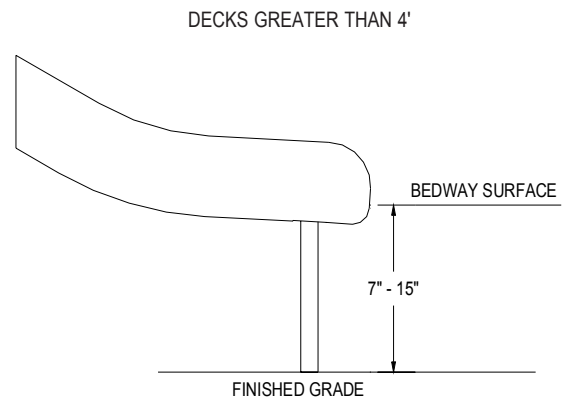
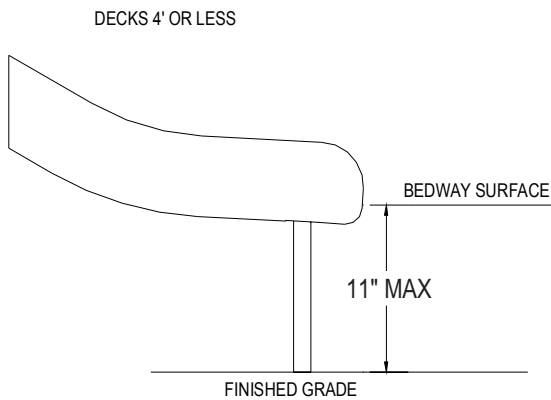


Tots' Choice®

4', 5', 6', 6'-6" & 8' Groove® II Slide

STEP 9 SET BEDWAY HEIGHT

Set height of Slide exit as noted. Ensure bedway exit maintains enough slant to permit water drainage. Level Slide exit, plumb Leg and brace in position.

**FINAL STEP**

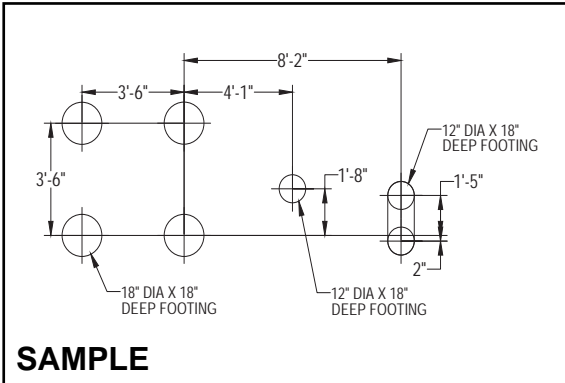
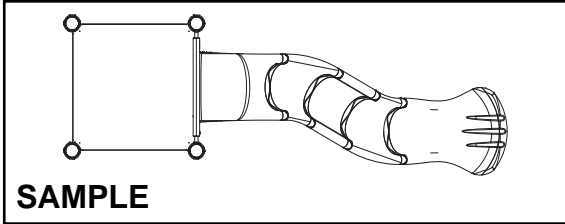
Proceed with *Final Assembly installation* located behind *Installations 101* in Installation Manual.

Tots' Choice®

Chameleon II Slide System

Deck system not included in this assembly.

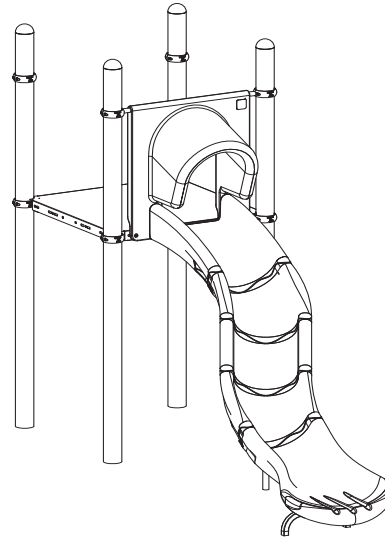
Top View



Footing Layout

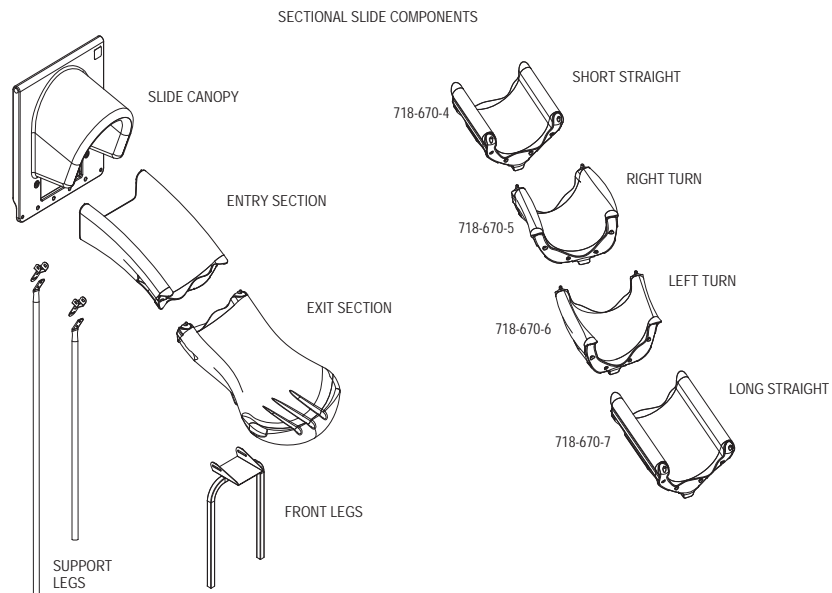
Chameleon II Slide (Sample)

Refer to "Construction Drawings" Top View and Footing Layout (elsewhere in this Installation Manual) for specific configuration of your assembly. Illustration is for example only.



- 718-670,
- 718-670-1,
- 718-670-2,
- 718-670-4,
- 718-670-5,
- 718-670-6,
- 718-670-7

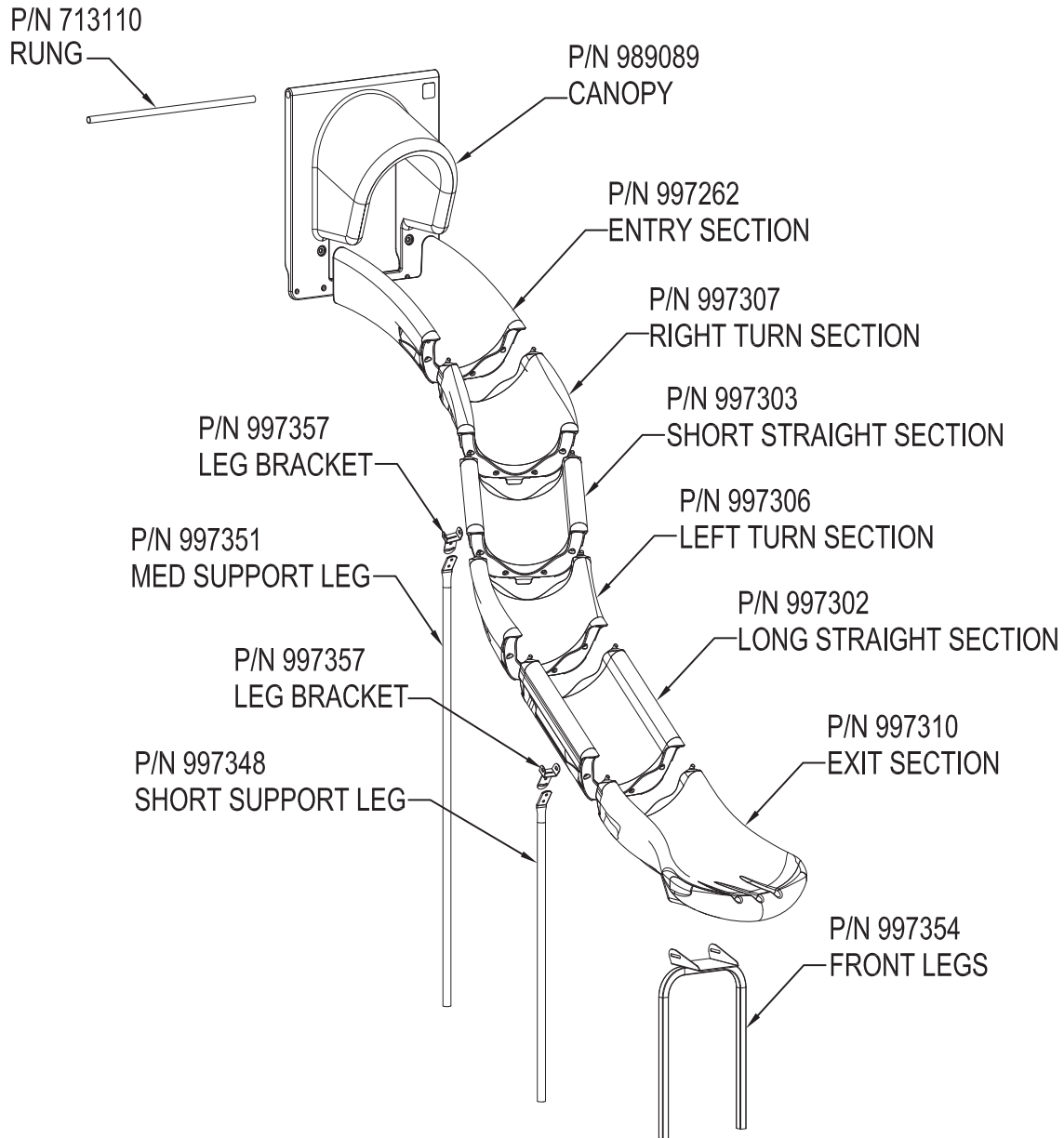
All Chameleon Slide systems contain one Model # 718-670 and up to five additional pieces (determined by deck height) in any combination of remaining models (-5, -6, -7).



- 718-670: 30" TO 54" DECK HT: NO SUPPORT LEGS
- 718-670-1: 60" TO 78" DECK HT: ONE SHORT SUPPORT LEG
- 718-670-2: 84" TO 96" DECK HT: TWO SUPPORT LEGS
- 718-670-3: 108" TO 120" DECK HT: THREE SUPPORT LEGS

Tots' Choice®
Chameleon II Slide System

PARTS IDENTIFICATION (SAMPLE)



Tots' Choice®

Chameleon II Slide System

TOOLS AND EQUIPMENT REQUIRED

Also see 'Suggested Tools & Equipment' (Doc. # D70052) in "Installations 101"

1. Concrete for footings, wheelbarrow or mixer, 5 gallon bucket, water supply
2. Digging equipment for footings (spade shovel, post hole digger, auger)
3. Bracing materials (2x4s, wood pieces, concrete blocks, bricks, jack stands, sawhorses, etc.)
4. Tape measure and level
5. Open end wrench set, Allen and 6-lobe wrenches or bits, socket set, screwdrivers
6. Drill, bits, extension cords, power supply
7. Rubber mallet
8. Step ladder
9. *Recommended:* Two (2) IRWIN Quick-Grip® Bar Clamps (or similar)
10. Adult installers - 2 minimum

THIS SPACE INTENTIONALLY LEFT BLANK

Tots' Choice®

Chameleon II Slide System

STEP 1 PREPARE FOR INSTALLATION

Read *Safety Brochure 100, Important Notes*, these instructions, and other enclosed materials. Unpack, count, and become familiar with system components and hardware.

STEP 2 INSTALL DECK

Install Deck system per separate instructions. Plumb, level and brace in position.

Note: Do not pour concrete for footings or permanently secure Clamps to Posts with self-drilling screws until all components in system have been installed per instructions and braced in position level and plumb.

STEP 3 DIG FOOTINGS

Dig footings per Construction Drawings and *Footing Details installation*.

STEP 4 INSTALL CLAMPS AND BAR SOCKETS TO POSTS

Refer to *Versalok Fastening System* installation located behind *Installations 101* in Installation Manual. Loosely assemble Clamp Rings around Posts so that bottom edge of each Clamp is 37-1/2" from top edge of Deck-supporting Clamp. Loosely assemble Bar Sockets to Clamps and orient toward center of Deck Face.

STEP 5 INSERT RUNG THROUGH CANOPY TOP

Insert Rung (P/N 713110) through Canopy Panel top until equal lengths are exposed on each end.

STEP 6 BOLT PANEL TO DECK

Refer to *Step 11* on page 8. Align holes in Canopy Panel bottom with holes in Deck face and use drill to ream excess coating from only those bolting holes in Deck. Place Canopy Panel against Deck, and bolt Panel to Deck through two (2) outermost holes as shown in illustration.

Tots' Choice®

Chameleon II Slide System

STEP 7 SET CANOPY RUNG IN BAR SOCKET; TIGHTEN HARDWARE

Refer to *Versalok Fastening System* installation. Place Rung ends into Bar Sockets on Clamps. Ensure that Canopy Panel is plumb and level. Tighten Rung in Bar Sockets with set screws, Bar Sockets on Clamps, and Clamp Rings around Posts.

STEP 8 SET SLIDE SECTIONS IN ORDER

Arrange Slide sections on ground in "top-down" sequence (starting with Entry section and ending with Exit section), according to configurations specified in "Construction Drawings." Chameleon II Slide Systems may be configured in many different ways, therefore it is necessary for proper installation to reference design specified in Construction Drawings.

THIS SPACE INTENTIONALLY LEFT BLANK

Tots' Choice®

Chameleon II Slide System

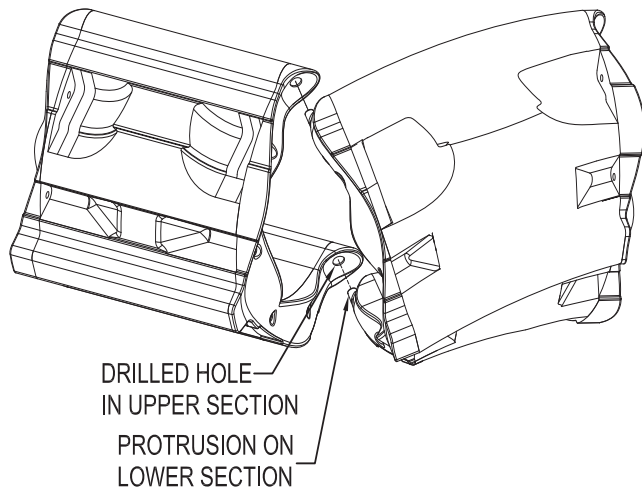
STEP 9 FASTEN SECTIONS TOGETHER

In "top-down" order discussed in Step 8, connect Slide sections together as shown.

Insert protrusions on lower section into drilled holes in upper section. A rubber mallet is recommended to fully seat pieces together.

Bolt sections together using hardware shown (4 places per joint). Use clamp to hold sections while installing bolts if needed.

Ensure all sections are flush and bedway is smooth and even with no gaps from start to finish.



P/N 200002145

BOLT M8 X 1.25 FEMALE
10.3 X 30 MM

P/N 200002079

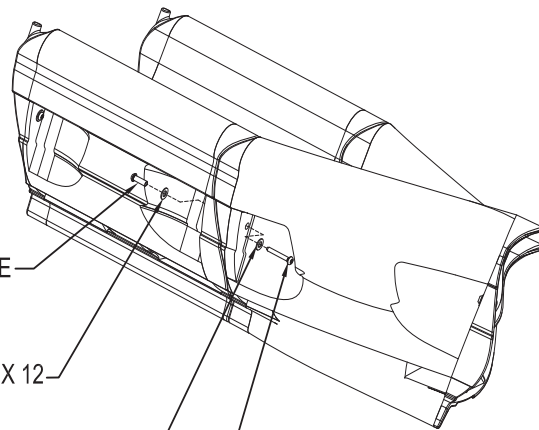
WASHER FLAT M11 23 X 12
X 1.6 MM

P/N 200002079

WASHER FLAT M11 23 X 12
X 1.6 MM

P/N 200002142

BOLT M8 X 1.25 MALE
57.5 MM



Tots' Choice®

Chameleon II Slide System

STEP 10 ATTACH FRONT LEG

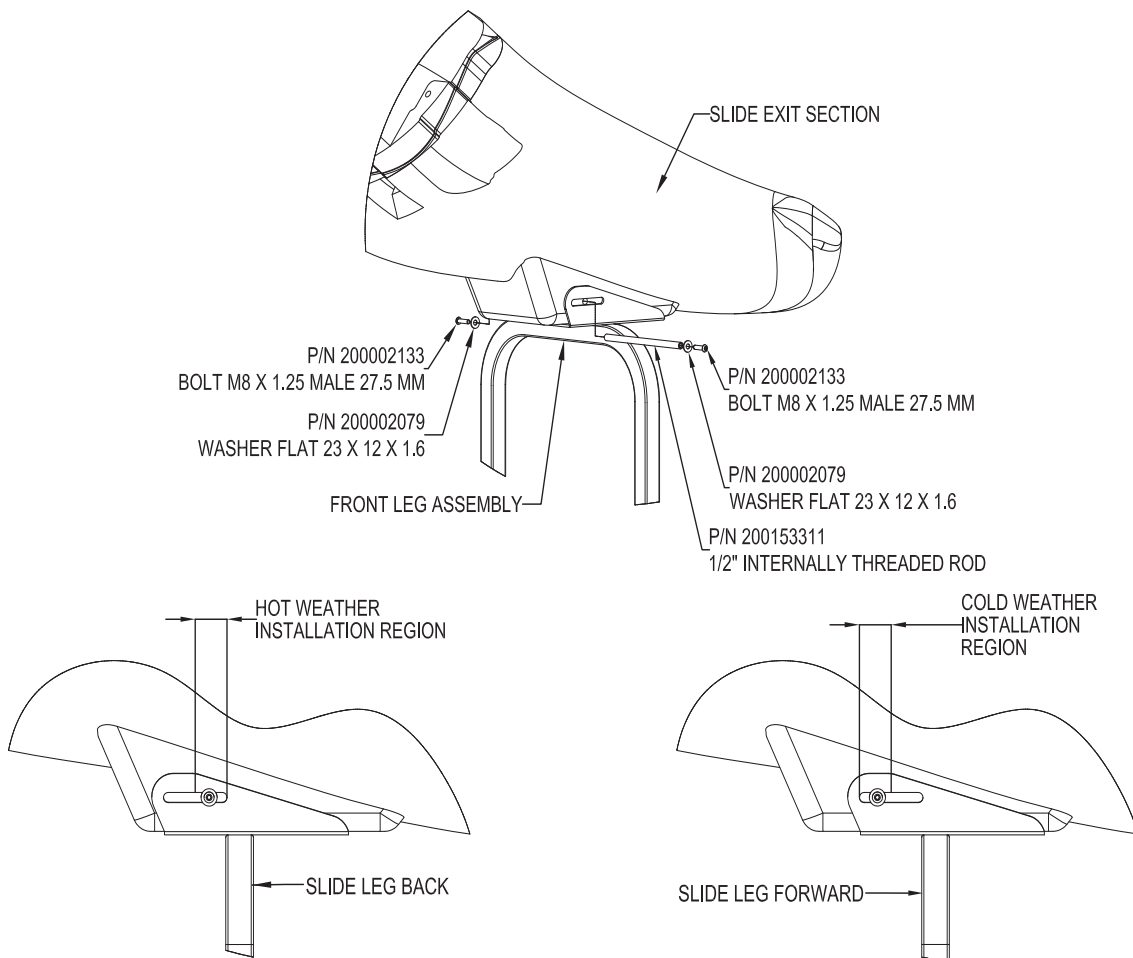
Assemble Front Leg to Exit section.

Position the Front Leg on the Exit section.

Mark the Exit section at the center of the slot on both sides of the Front Leg Bracket.

Drill a 1/2" hole at each mark.

Attach Front Leg using hardware shown.

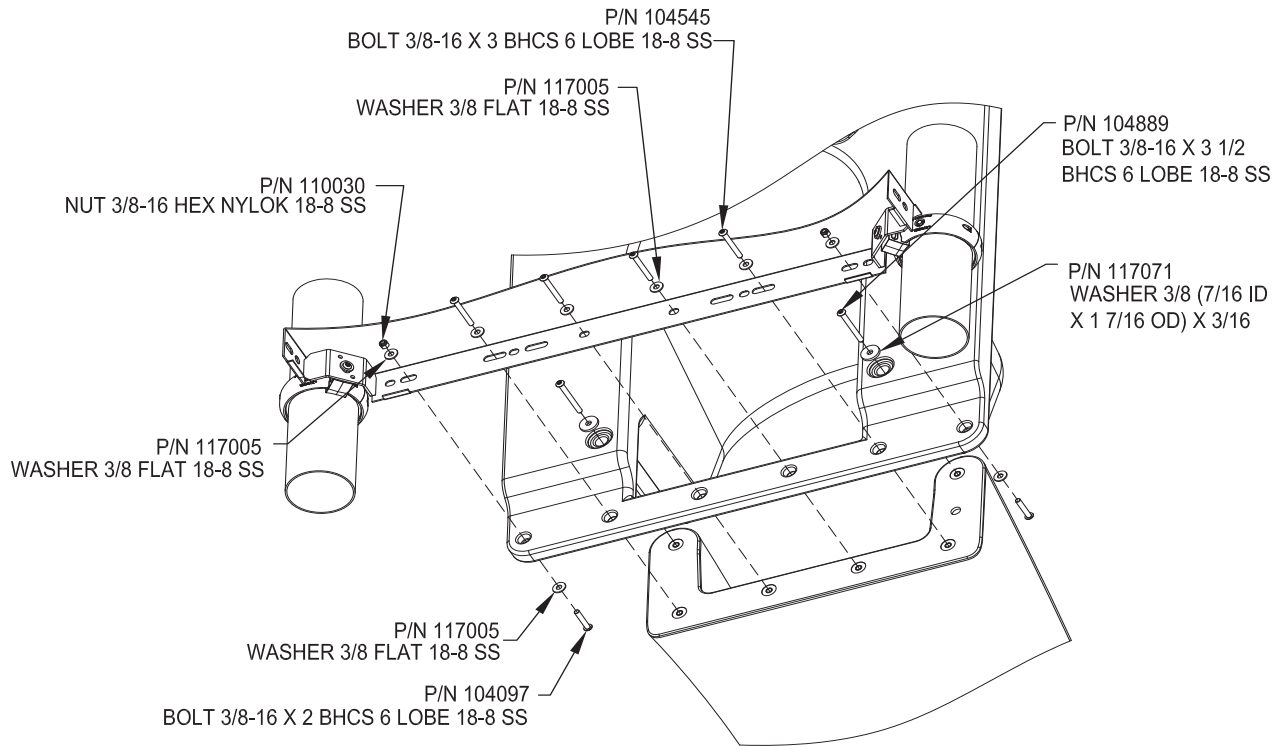


NOTE: Depending on temperature conditions during installation, adjust the Front Leg position on the Exit Section. During hot weather, slide the leg back so that the attachment bolt is in the front half of the slot. During cold weather adjust the leg so that the bolt is in the back half of the slot.

Tots' Choice®
Chameleon II Slide System

STEP 11 SECURE SLIDE TO DECK

Position Slide against Canopy Panel and Deck, setting Front Leg into footing. Bolt through Deck and Canopy Panel into Slide at four (4) locations. Bolt through Canopy Panel into Slide's side rails at two (2) locations.



THIS SPACE INTENTIONALLY LEFT BLANK

Tots' Choice®
Chameleon II Slide System

STEP 12 ATTACH SUPPORT LEGS

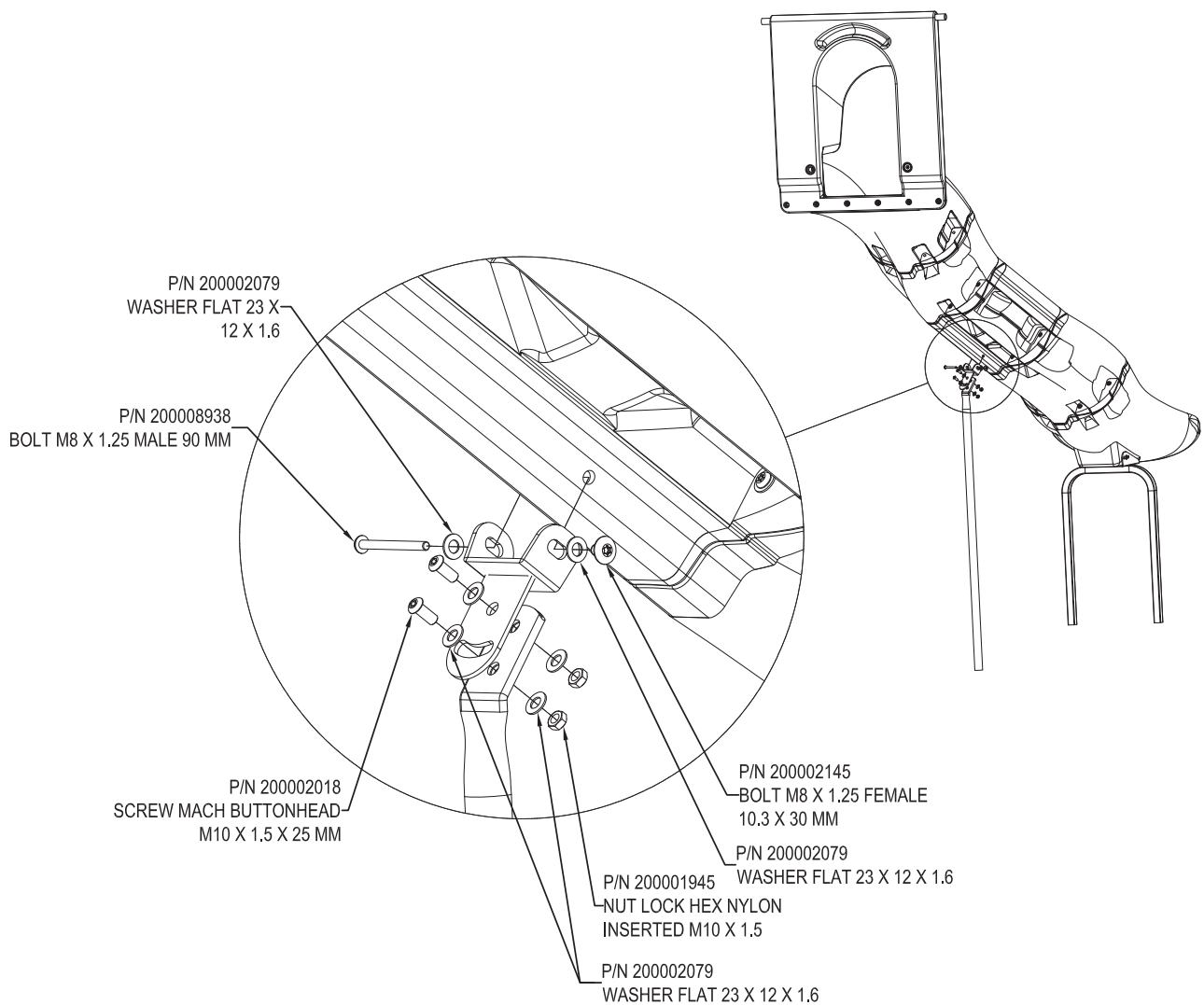
Loosely attach the Support Bracket to the Support Leg with hardware shown.

With the Support Leg in footing hole and bracket against bottom of Slide section, mark the Slide Section through both sides of the Support Bracket.

Drill a 1/2" hole at each mark.

Connect the Support Bracket to the Slide Section with hardware shown.

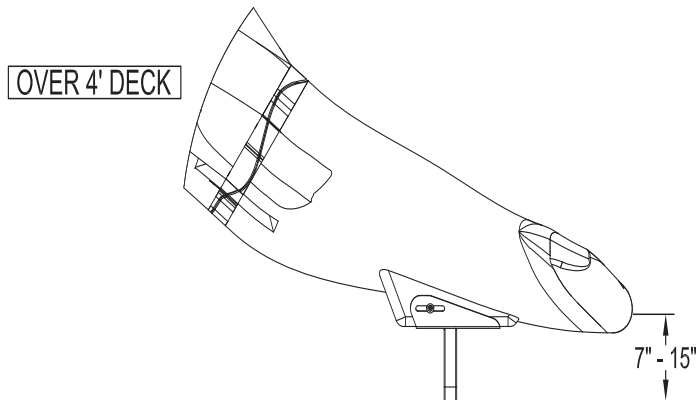
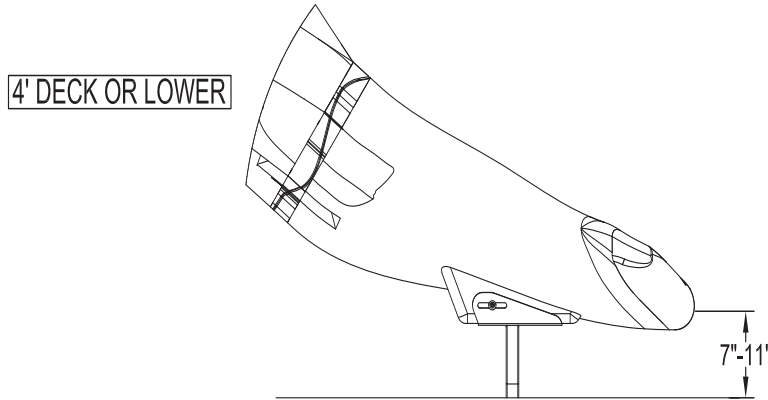
Plumb Support Leg in footing and brace in position.



Tots' Choice®
Chameleon II Slide System

STEP 13 SET EXIT HEIGHT

Set Slide exit height from finished grade as noted and brace in position. Verify that Slide exit will drain water.

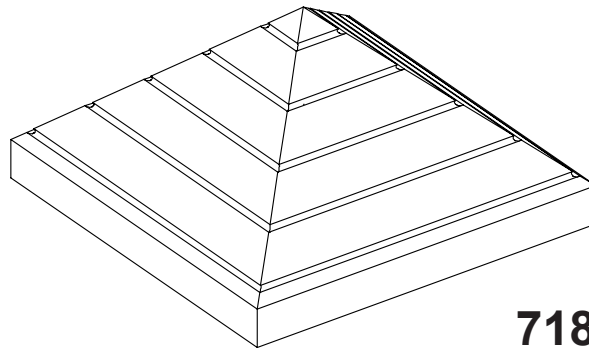
**FINAL STEP**

Proceed with *Final Assembly installation*.

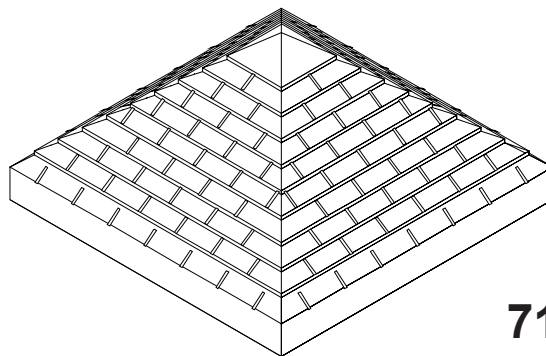


INSTALLATION INSTRUCTIONS

Model 718-706: Square Roof - Tier
Model 718-861-4: Square Roof - Shingle



718-706



718-861-4

IMPORTANT NOTES

1. Before installing or erecting this equipment, please read and comply with all applicable recommendations in Safety Brochure 100 enclosed. If for some reason this brochure is missing, contact your local Miracle sales representative for a copy.
2. Before starting construction, check with all utility companies for exact locations of underground utilities.
3. When designing areas for footings and the area under and adjacent to all equipment, consideration should be given to soil types and subgrade characteristics. The purchaser and/or installing contractor will be responsible for proper installation and insuring that abnormal and unsafe compaction does not occur in these areas, which are generally recommended to be under and a minimum of 6' out from the edges of all play structures.
4. It is the purchaser's responsibility to maintain these areas properly after installation. It is recommended that compaction tests be made several times per year. When compaction occurs, it is recommended that the area affected be scarified or additional pea gravel, sand, redwood bark or coarse wood chips be added until the area is soft and resilient.

Square Roofs

September 8, 2014

Rev. D

Deck must be assembled before roof can be set in place and attached to posts.

(Refer to *Roof to Post Detail* for your model.)

For model 718-861-4:

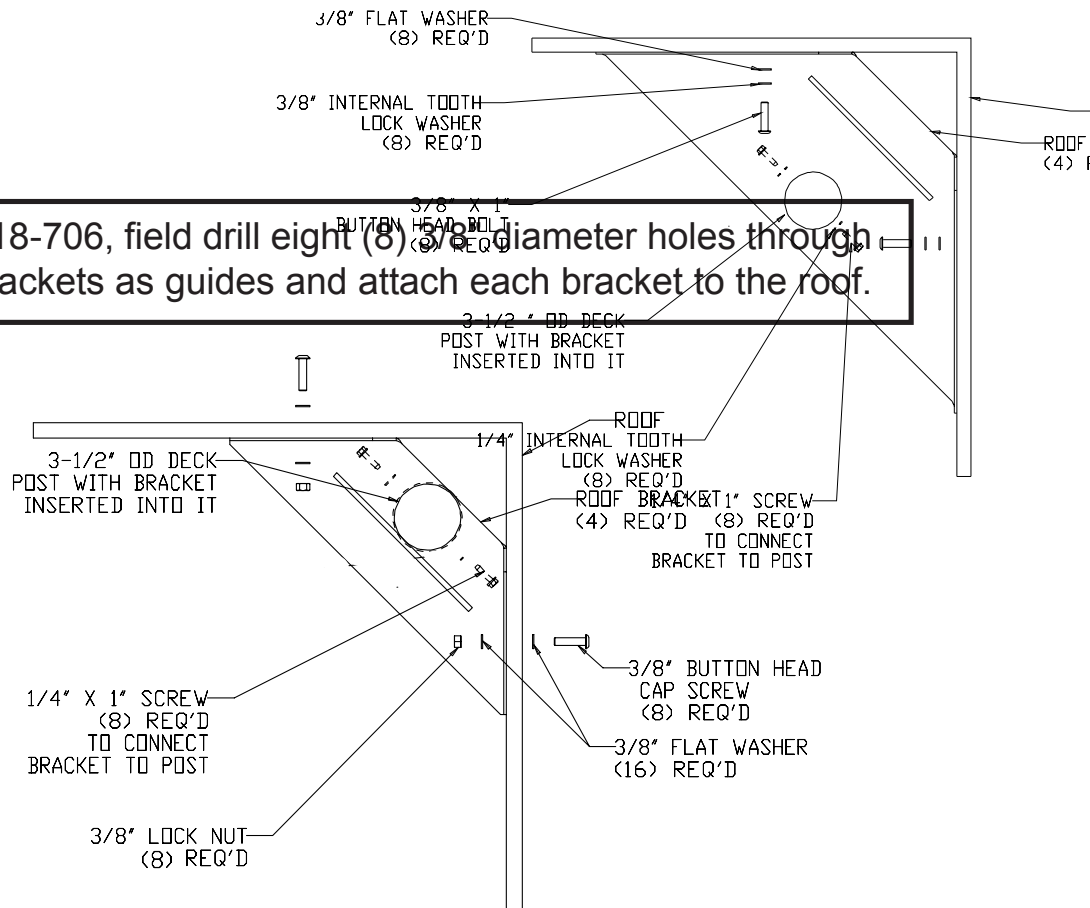
STEP 1	For model 718-861-4, attach each bracket to the roof.
---------------	---

ROOF TO POST
DETAIL
MODEL 718-861-4

For model 718-706:

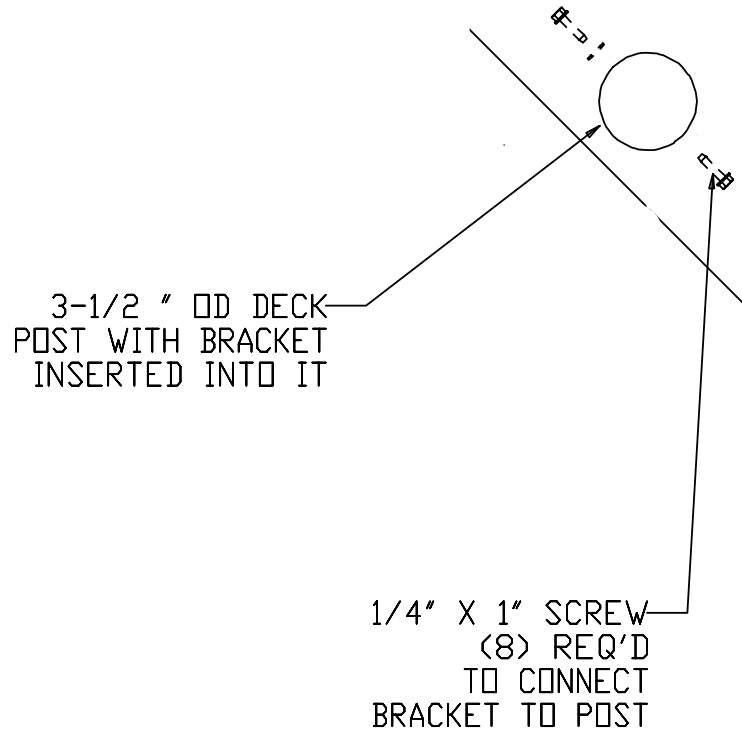
STEP 1	For model 718-706, field drill eight (8) 3/8" diameter holes through roof using brackets as guides and attach each bracket to the roof.
---------------	---

ROOF TO POST
DETAIL
MODEL 718-706



For all models:

STEP 2	When all four (4) brackets have been attached to the roof, set roof in place, inserting the bracket sleeves into each post of the assembled deck. Using holes in post as a guide, drill 3/16" hole into inserted bracket sleeves. Fasten bracket sleeves to posts.
---------------	--



FINAL STEP	Refer to <i>Final Assembly</i> Installation.
-------------------	--



Installation Guide

Tots' Choice®

Deck system not included in these assemblies.

Vertical Climbers

Cliff Climber, Canyon Climber, Trap Door Climber, Climbing Pole & Spider Climber

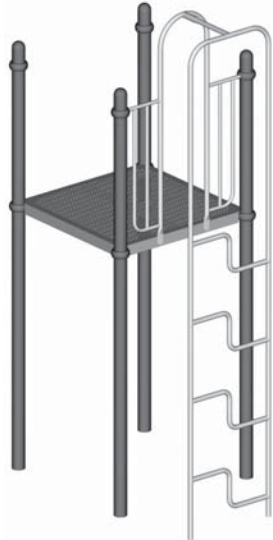
718-719* & 718-719-6

718-721 & 718-721-6

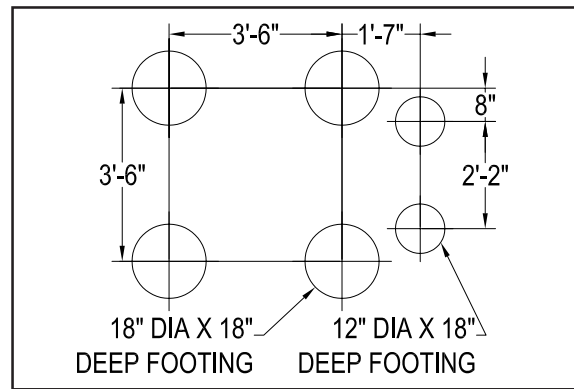
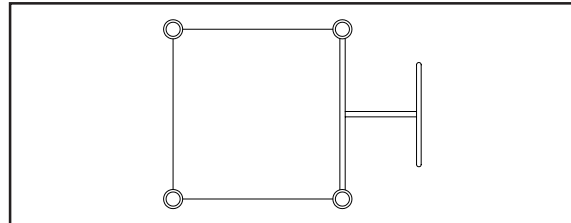
5 Additional Models

Cliff Climber for 6' or 6'-6" Deck

* Model # 718-719 Cliff Climber for 3' or 5' Deck not shown. Top View, Footing Layout and Installation are identical.



Top View



Footing Layout

718-719 & 718-719-6

718-721* & 718-721-6

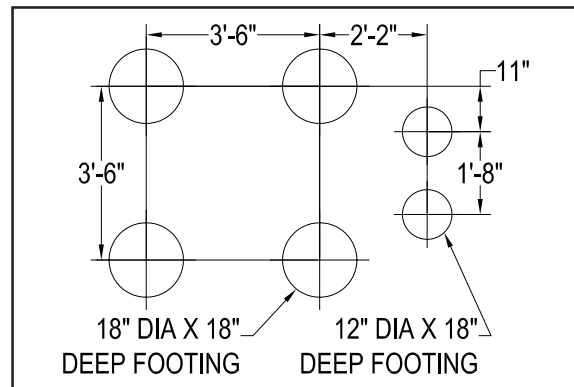
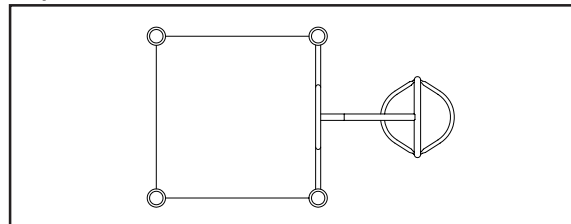
5 Additional Models

Canyon Climber for 6' or 6'-6" Deck

* Model # 718-721 Canyon Climber for 3' or 5' Deck not shown. Top View, Footing Layout and Installation are identical.



Top View



Footing Layout

Vertical Climbers

718-719, 718-719-6, 718-721, 718-721-6, 718-731, 718-731-6, 718-808, 718-808-8, 718-908

Tots' Choice® Vertical Climbers

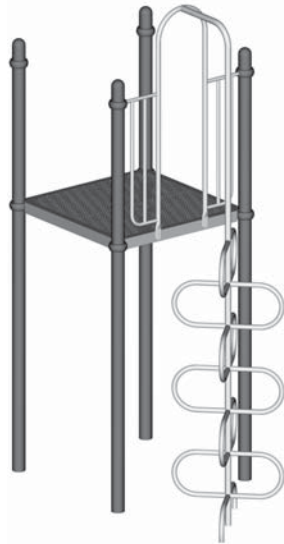
718-731* & 718-731-6

718-808 & 718-808-8

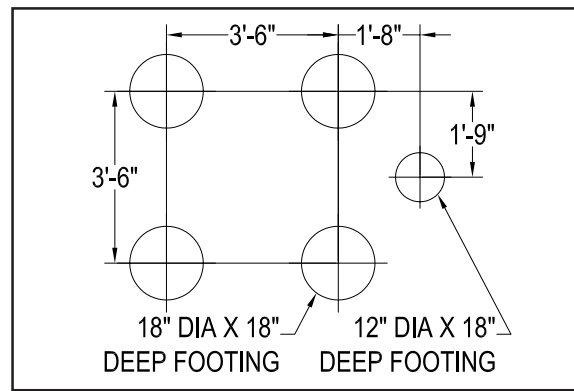
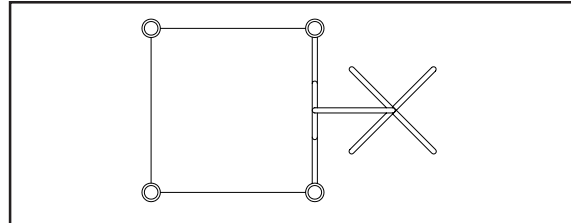
1 Additional Model

Trap Door Climber for 6' or 6'-6" Deck

* Model # 718-731 Trap Door Climber for 3' or 5' Deck not shown. Top View, Footing Layout and Installation are identical.



Top View



Footing Layout

718-731 & 718-731-6

718-808* & 718-808-8

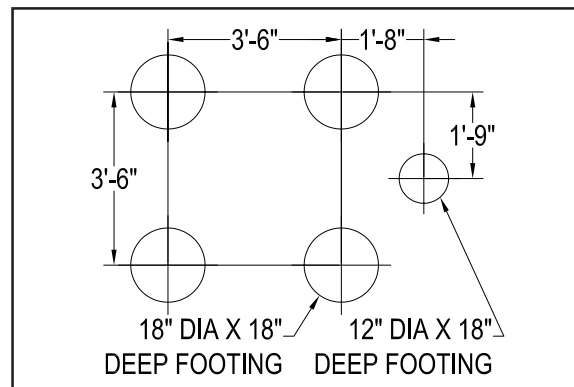
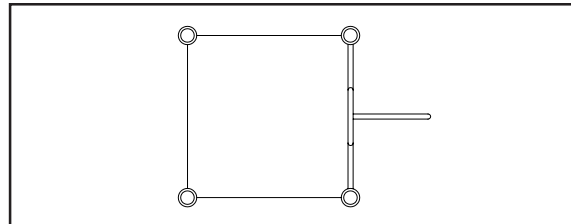
1 Additional Model

Climbing Pole for 8' Deck

* Model # 718-808 Climbing Pole for 3', 5', 6' or 6'-6" Deck not shown. Top View, Footing Layout and Installation are identical.



Top View



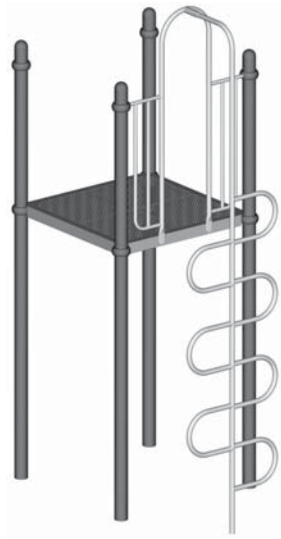
Footing Layout



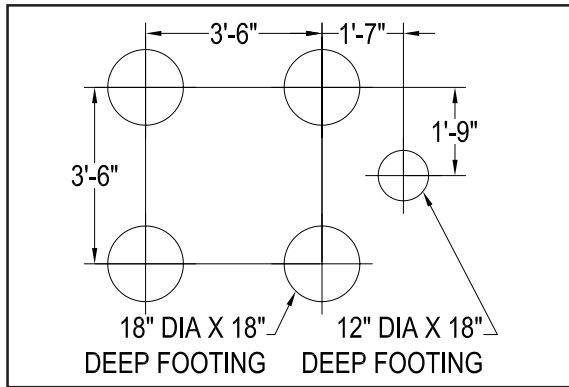
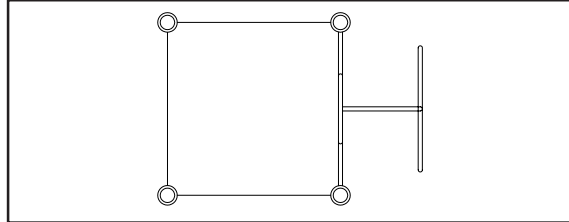
Tots' Choice®
Vertical Climbers

718-908

Spider Climber for 3', 5', 6' or 6'-6" Deck



Top View



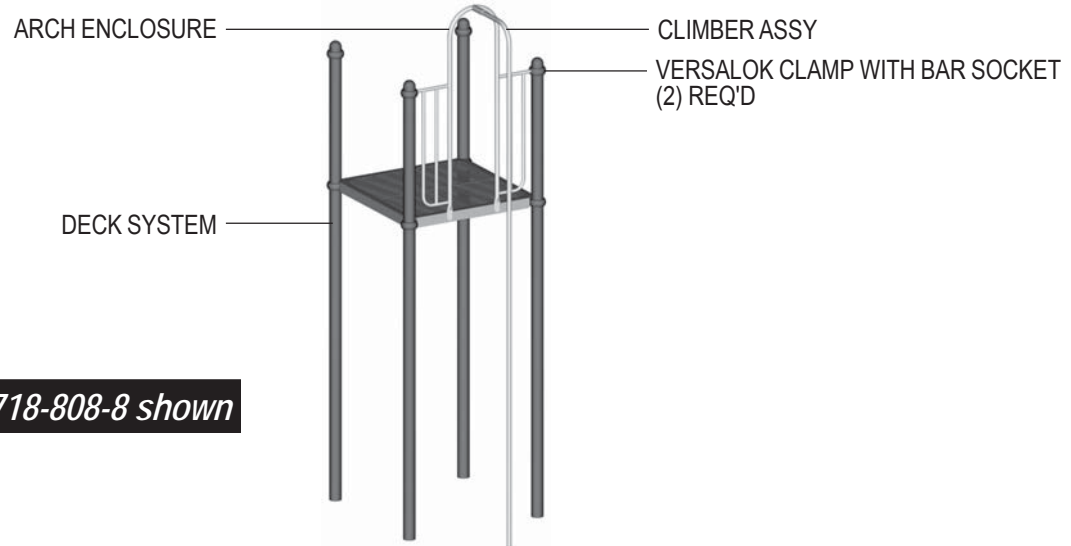
Footing Layout

Vertical Climbers

718-719, 718-719-6, 718-721, 718-721-6, 718-731, 718-731-6, 718-808, 718-808-8, 718-908

Tots' Choice®
Vertical Climbers

PARTS IDENTIFICATION



Model # 718-808-8 shown

RECOMMENDED ASSEMBLY SEQUENCE

1. Deck system (per separate instructions)
2. Footing(s)
3. Clamps with Bar Sockets loosely to Deck Posts
4. Arch Enclosure to Deck and to Posts (via Clamps)
5. Climber Assembly into footing(s), to Arch Enclosure
6. Final Assembly

TOOLS AND EQUIPMENT REQUIRED

Also see 'Suggested Tools & Equipment' (Doc. # D70052) in "Installations 101"

1. Concrete for footings, wheelbarrow or mixer, 5 gallon bucket, water supply
2. Digging equipment for footings (spade shovel, post hole digger, auger)
3. Bracing materials (2x4s, wood pieces, jack stands, sawhorses, concrete blocks, bricks, etc.)
4. Tape measure and level
5. Open end wrench set, Allen and 6-lobe wrenches or bits, socket set, screwdrivers
6. Drill, bits, extension cords, power supply
7. Step ladder
8. Adult installers - 2 minimum



Tots' Choice®
Vertical Climbers

STEP 1

Read *Safety Brochure 100, Important Notes*, these instructions, and other enclosed materials. Unpack, count, and become familiar with system components and hardware.

STEP 2

Install Deck system per separate instructions. Plumb, level and brace in position.

Note: Do not pour concrete for footings, or permanently secure Clamps to Posts with self-drilling screws, until all components in system have been installed per instructions and braced in position level and plumb.

STEP 3

Dig footings per *Footing Layouts*, Construction Drawings, and to *Footing Details installation*.

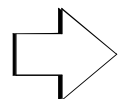
STEP 4

Refer to *Versalok Fastening System installation*.

Loosely affix a Bar Socket (with 1-1/16" diameter hole) to each set of Clamp Ring halves. Loosely assemble Clamps on Posts so that bottom edge of each is 37-1/2" from top edge of Deck-supporting Clamp.

STEP 5

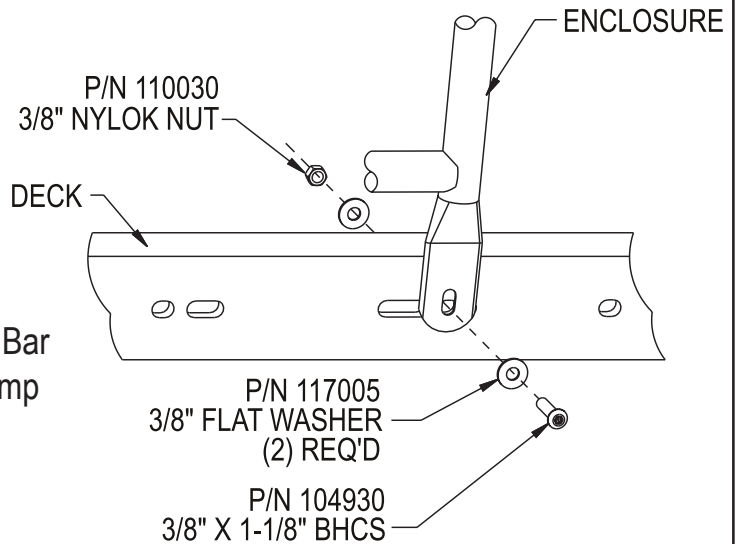
Position Arch Enclosure against Deck, aligning holes in mashed ends of plumb Enclosure uprights with bolt holes in Deck face. Use drill to ream excess PVC from only those holes in Deck.



Tots' Choice®
Vertical Climbers

STEP 6

Refer to *Versalok Fastening System installation*. Place Enclosure's top rails into Bar Sockets, aligning bottom holes in Enclosure uprights with holes in Deck. Plumb and level Arch Enclosure and secure to Deck as shown. Tighten rails in Bar Sockets, Bar Sockets to Clamps, and Clamp Rings around Posts.



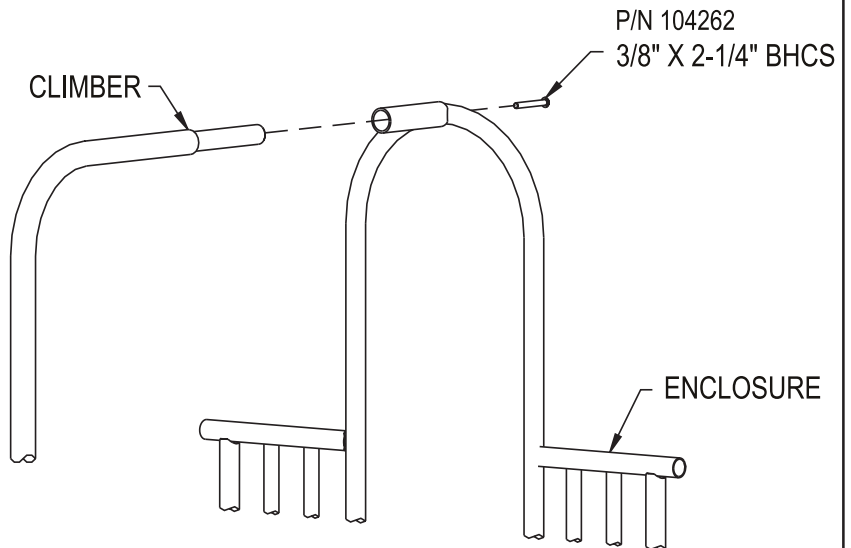
STEP 7

Set Climber into footing(s).

Note: Some Climber Assemblies require cutting at bottom end to properly fit certain Deck heights. If necessary, measure 90" from top surface of Climber and add distance of Deck height from finished grade to locate cut mark. (This formula allows for 12" of protective surfacing and allows adjusted Climber to reach bottom of footing hole). Cut Climber at mark.

STEP 8

Firmly seat stub at top of Climber Assembly in Arch Enclosure's sleeve. Attach Climber to Arch Enclosure as shown.



FINAL STEP

Proceed with *Final Assembly installation*.



MIRACLE
RECREATION EQUIPMENT COMPANY

Installation Guide

April 15, 2005

Rev. E

Tots' Choice®

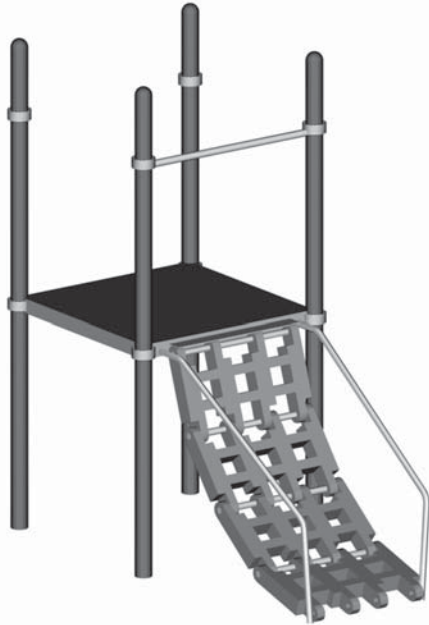
Honeycomb Climbers for 4' and 5' Decks

Deck system not included in these assemblies.

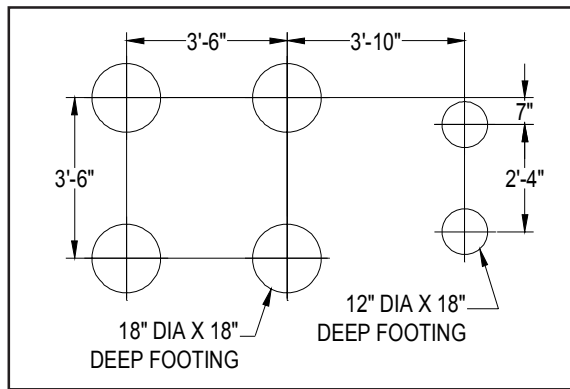
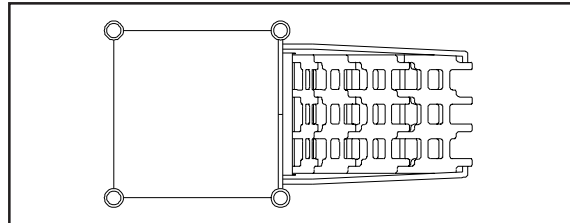
718-755-4

718-755-5

Honeycomb Climber for 4' Deck



Top View



Footing Layout

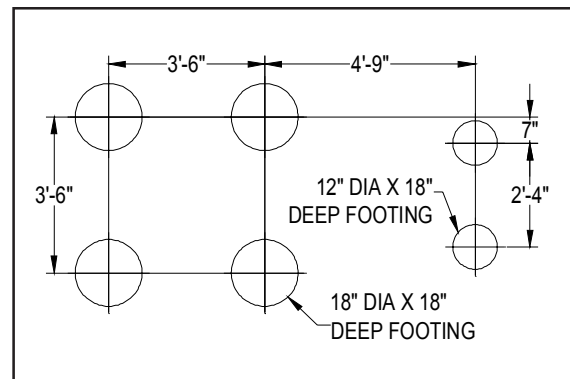
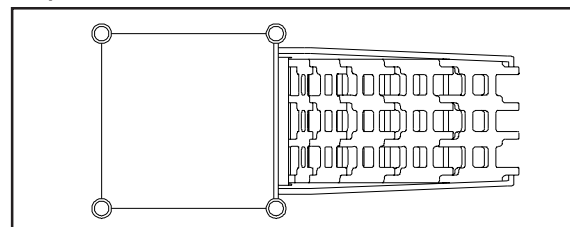
718-755-4

718-755-5

Honeycomb Climber for 5' Deck



Top View



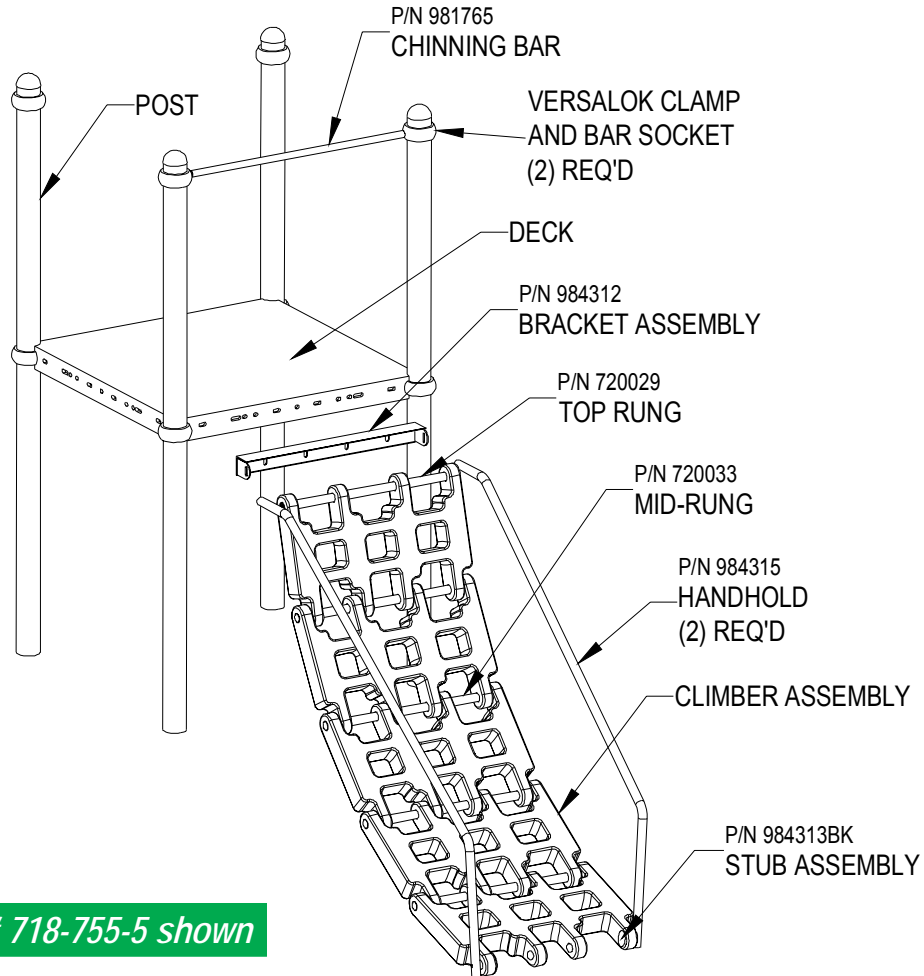
Footing Layout

Honeycomb Climbers

718-755-4, 718-755-5

Tots' Choice®
Honeycomb Climbers for 4' and 5' Decks

PARTS IDENTIFICATION



Model # 718-755-5 shown

RECOMMENDED ASSEMBLY SEQUENCE

1. Deck system (per separate instructions)
2. Footings
3. Bar Sockets loosely to Clamps, Clamps loosely to Posts
4. Chinning Bar to Posts (via Clamps)
5. Deck-Climber Bracket to Deck
6. Climber sections together with Rungs; Stubs into Climber assembly
7. Climber to Deck (Top Rung into Bracket)
8. Handholds to Deck and into footings
9. Handholds to Stubs on Climber assembly
10. Final Assembly



Tots' Choice®

Honeycomb Climbers for 4' and 5' Decks

TOOLS AND EQUIPMENT REQUIRED*Also see 'Suggested Tools & Equipment' (Doc. # D70052) in "Installations 101"*

1. Concrete for footings, wheelbarrow or mixer, 5 gallon bucket, water supply
2. Digging equipment for footing holes (spade shovel, post hole digger, auger)
3. Bracing materials (2x4s, wood pieces, jack stands, sawhorses, concrete blocks, bricks, etc.)
4. Tape measure and level
5. Open end wrench set, Allen and 6-lobe wrenches or bits, socket set, screwdrivers
6. Step ladder
7. Rubber mallet
8. Drill, hex head and 9/16" drill bits, extension cords, power supply
9. Adult installers - 2 minimum

Tots' Choice®

Honeycomb Climbers for 4' and 5' Decks

STEP 1

Read *Safety Brochure 100, Important Notes*, these instructions, and other enclosed materials. Unpack, count, and become familiar with system components and hardware.

STEP 2

Install Deck system per separate instructions. Plumb, level, and brace in position.

Note: Do not pour concrete for footings, or permanently secure Clamps to Posts with self-drilling screws, until all components in system have been installed per instructions and braced in position level and plumb.

STEP 3

Dig footings per *Footing Layout, Construction Drawings, and Footing Details installation*.

STEP 4

Position Deck-Climber Bracket against Deck face in center. Use drill to remove excess PVC from mating bolt holes in Bracket and Deck.

STEP 5

Refer to *Versalok Fastening System installation*.

Loosely affix a Bar Socket (with 1-1/16" diameter hole) to each set of Clamp Ring halves. Loosely attach Clamps around Posts so that bottom edge of each is 37-1/2" from top edge of Deck-supporting Clamp.



MIRACLE
RECREATION EQUIPMENT COMPANY

Tots' Choice®

Honeycomb Climbers for 4' and 5' Decks

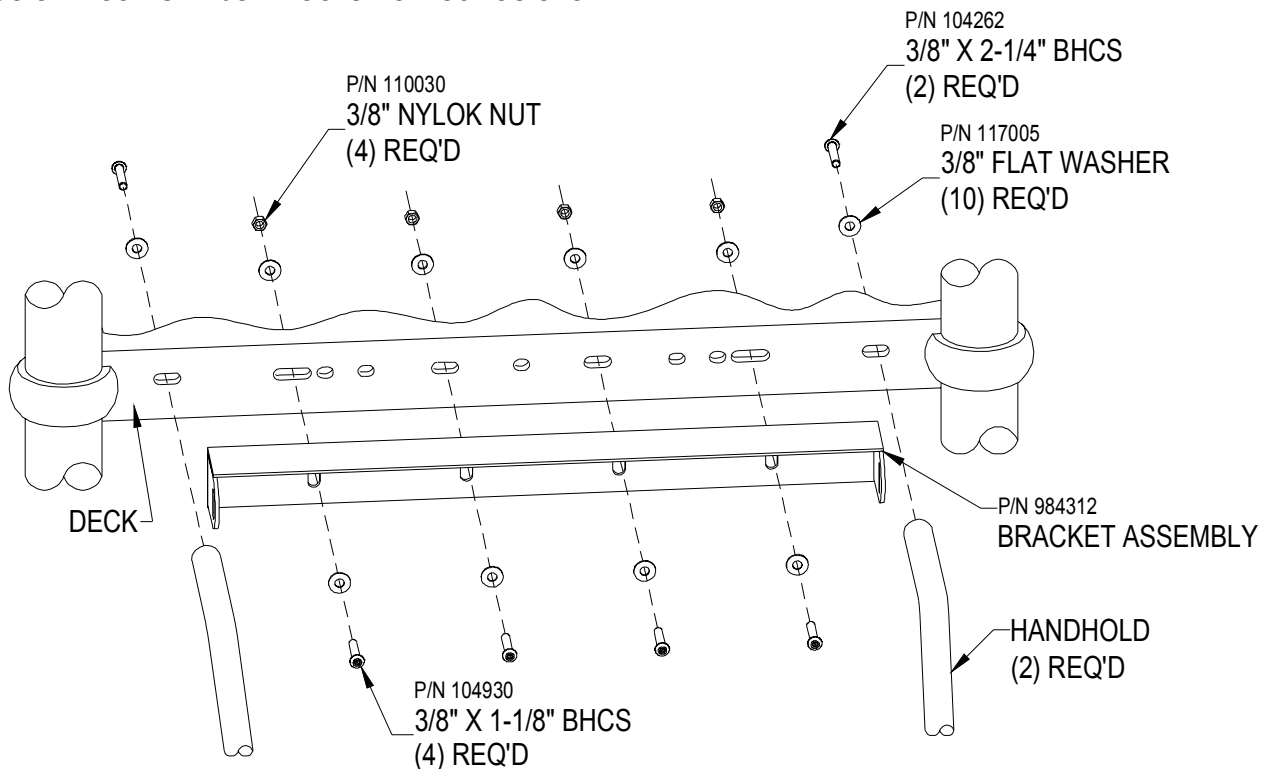
STEP 6

Refer to *Versalok Fastening System* installation.

Place Chinning Bar ends in Bar Sockets. Level Chinning Bar on plumb Posts and tighten Bar in Sockets, Sockets on Clamps, and Clamp Rings around Posts.

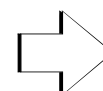
STEP 7

Fasten Deck-Climber Bracket to Deck as shown.



Honeycomb Climbers

718-755-4, 718-755-5



Tots' Choice®

Honeycomb Climbers for 4' and 5' Decks**STEP 8**

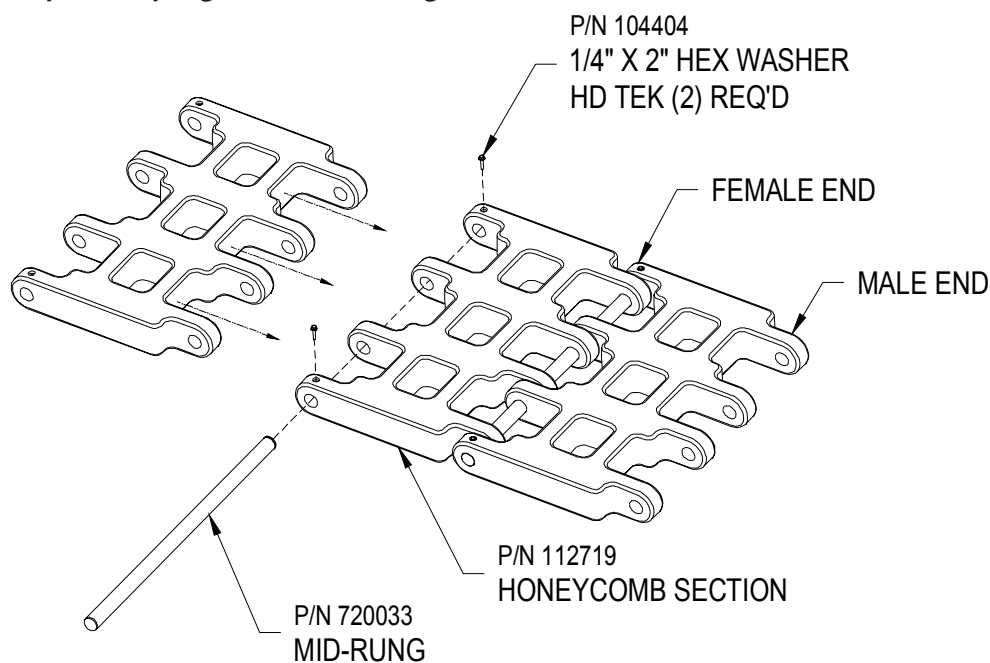
Position Honeycomb sections with male and female ends together. Insert Rungs through sections to connect them, and into top end of Climber assembly (female end.) Gently tap Rungs with mallet if necessary to ensure that Rungs are flush with both sides of Honeycomb sections.

Refer to *Step 11 illustration* on next page. Tap Stubs into bottom of Climber (male end) with threaded inserts facing outward.

Attach Honeycomb sections to Mid-Rungs as shown.

Note: Do not affix Honeycomb sections to Top Rung with self-drilling screws.

Note: Top Rung (P/N 720029) has threaded inserts factory-installed in each end, instead of plastic plugs, for mounting to Bracket.

**STEP 9**

Use drill to ream excess PVC from slots at each end of Deck-Climber Bracket for attachment of Climber. Attach Top Rung of Climber to Bracket using two 3/8" x 1-1/4" BHCS bolts (P/N 104921).



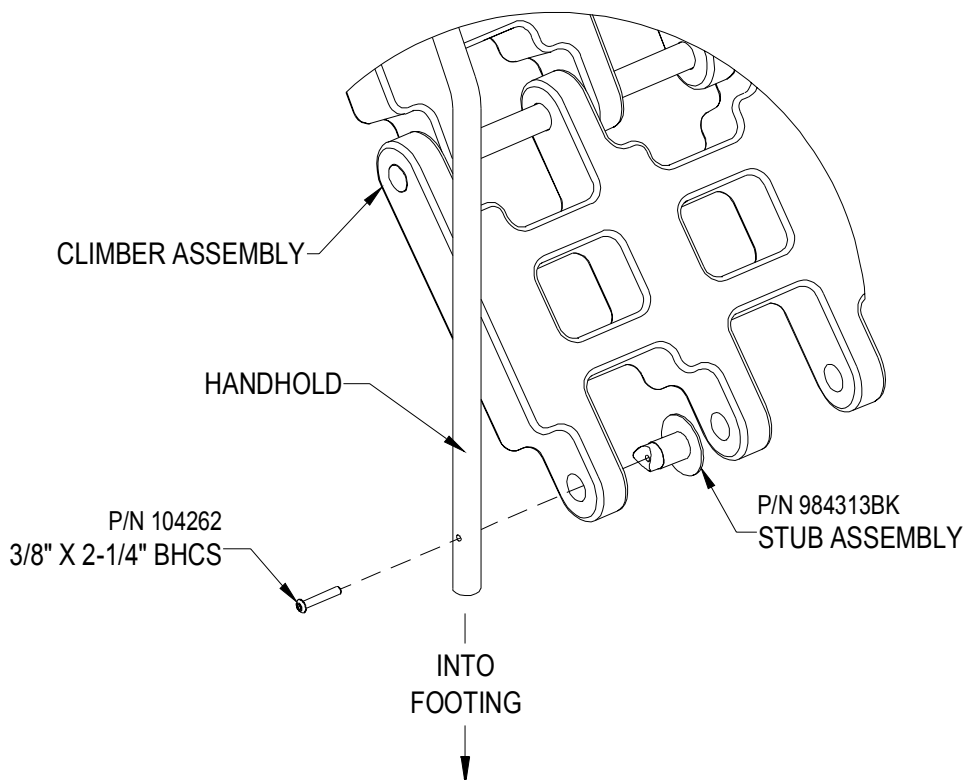
Tots' Choice®
Honeycomb Climbers for 4' and 5' Decks

STEP 10

Refer to *Step 7 illustration on Page 5*. Insert legs of Handholds in Footings and position top ends against Deck face on each side of Bracket. Use drill to ream excess PVC from only those holes in Deck. Secure Handholds to Deck as shown.

STEP 11

Bolt through Handholds into Stubs to secure bottom of Climber assembly as shown. Adjust position of Handhold legs in Footings, and plumb and brace in position.



FINAL STEP

Proceed with *Final Assembly installation*.



Installation Guide

July 18, 2006

Rev. A

Tots' Choice®
Bell, Post Mount

MIRACLE
RECREATION EQUIPMENT COMPANY

718-796-P1

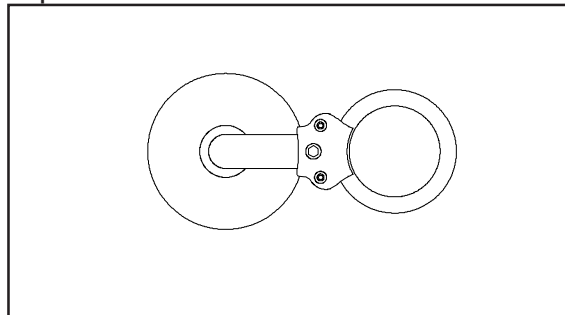
Bell, Post Mount

Post not included in assembly

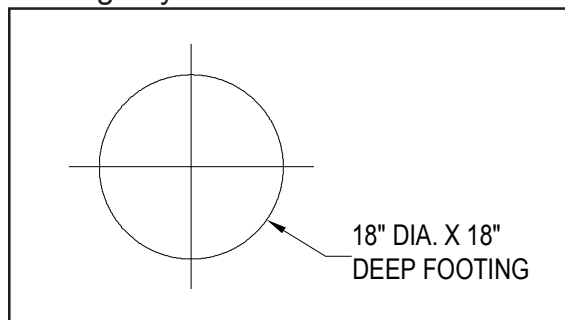


Post not included in this assembly

Top View



Footing Layout



Bell, Post Mount

718-796-P1



Installation Guide

July 18, 2006

Tots' Choice®
Bell, Post Mount

MIRACLE
RECREATION EQUIPMENT COMPANY

Rev. A

Bell, Post Mount

STEP 1 PREPARE FOR INSTALLATION

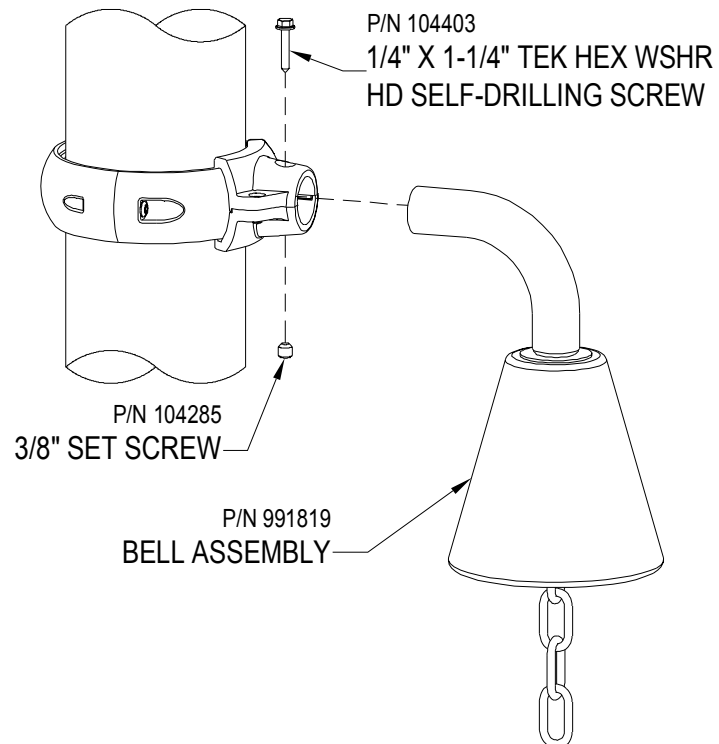
Read *Safety Brochure 100, Important Notes*, these instructions, and other materials. Unpack, count and become familiar with system components and hardware.

STEP 2 ATTACH CLAMP RING AND BAR SOCKET TO POST

Refer to *Versalok Fastening System installation guide* located behind *Installations 101* in your Installation Manual.

STEP 3 AFFIX BELL TO BAR SOCKET

Attach Bell Assembly to Bar Socket as shown.



FINAL STEP

Proceed with *Final Assembly* instructions.

718-796-P1



Installation Guide

May 5, 2005

Rev. C

MIRACLE
RECREATION EQUIPMENT COMPANY

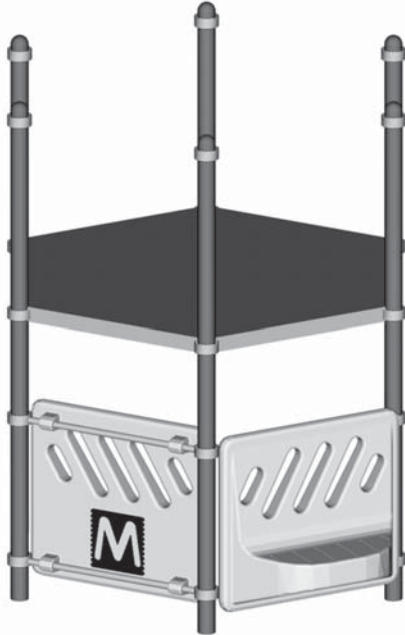
Tots' Choice®

Rockite **Bench Panel** - Freestanding or Below Deck

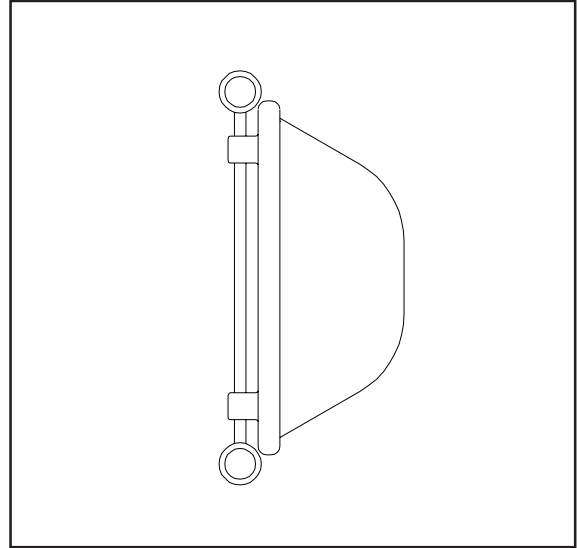
Deck system or Posts not included in this assembly.

718-817-2B

Bench Panel



Top View



Refer to Footing Layout illustrations on page 2.

Footing Layout

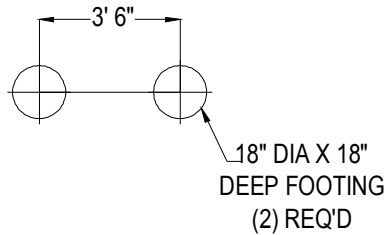
Bench Panel

718-817-2B

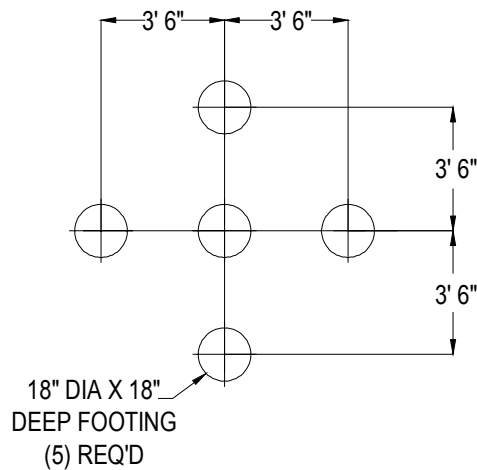
Tots' Choice®
 Rockite **Bench Panel** - Freestanding or Below Deck

FOOTING LAYOUTS

Freestanding or Below Deck (one unit)



Sample of Clustered Arrangement (multiple units)



RECOMMENDED ASSEMBLY SEQUENCE

1. Deck system or Posts (per separate instructions)
2. Clamps with Bar Sockets loosely to Posts
3. Rungs to Panel
4. Rungs to Posts (via Clamps)
5. Final Assembly

TOOLS AND EQUIPMENT REQUIRED

Also see "Suggested Tools & Equipment" (Doc. # D75002) in "Installations 101"

1. Tape measure and level
2. Open end wrench set, Allen and 6-lobe wrenches or bits, socket set, screwdrivers
3. Drill, bits, extension cords, power supply
4. Mallet
5. Adult installers - 2 minimum



MIRACLE
RECREATION EQUIPMENT COMPANY

Tots' Choice®

Rockite **Bench Panel** - Freestanding or Below Deck

STEP 1

Read *Safety Brochure 100, Important Notes*, these instructions, and other enclosed materials. Unpack, count, and become familiar with system components and hardware.

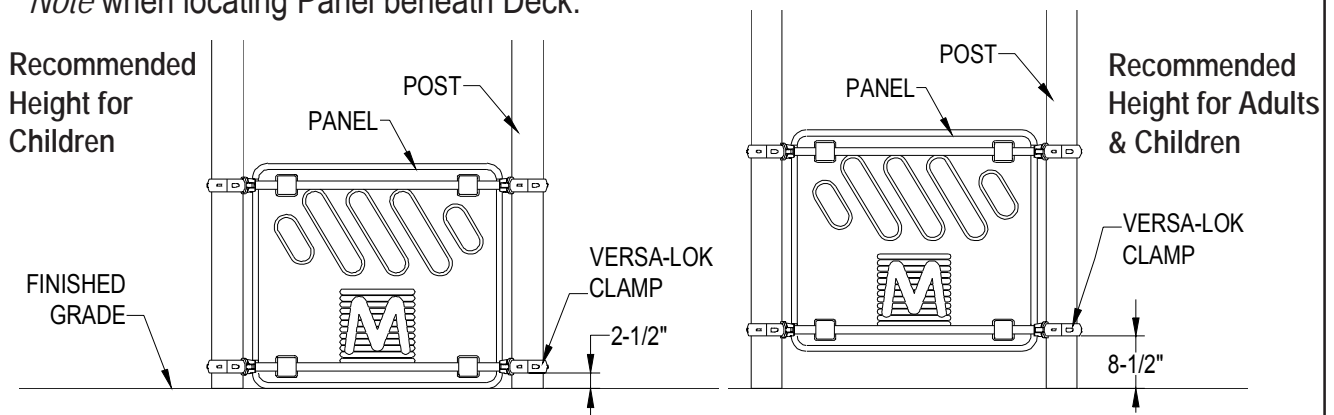
STEP 2

Install Deck system or Posts per separate instructions. Plumb, level, and brace in position.

Note: Do not pour concrete for footings, or permanently secure Clamps to Posts with self-drilling screws, until all components in playsystem have been fully installed and braced in position level and plumb.

STEP 3

Refer to *Versalok Fastening System installation*. Loosely affix a Bar Socket (with 1-3/8" diameter hole) to each set of Clamp Ring halves. Attach bottom Clamps loosely to Posts at desired height from finished grade, based on intended usage. Installers must defer to *Safety Note* when locating Panel beneath Deck.



Safety Note: *If installing Panel beneath Deck, vertical clearance space between Panel Assembly and lowest point of Deck must be either (A) between 1" and 3", or (B) a minimum of 10".*

Note that, if applicable, Seat may face "in" (beneath Deck system) or "out" (away from Deck). This determination should be made during play-area planning process. Seats facing in must allow adequate room beneath Deck for users to utilize equipment as intended.

Loosely assemble top set of Clamps at approximate position.

Tots' Choice®
Rockite **Bench Panel** - Freestanding or Below Deck

STEP 4

Use mallet to tap Rungs into Panel, leaving equal amounts of Rung exposed on each end.

STEP 5

Refer to *Versalok Fastening System installation*. Insert ends of Rungs in Bar Sockets on top and bottom sets of Clamps, repositioning Clamps as needed.

Make certain Panel is centered between Posts. If Panel is installed beneath Deck, verify that condition of *Safety Note (Step 3, Page 3)* has been satisfied.

Level Panel Assembly. Tighten Rungs in Bar Sockets, Bar Sockets on Clamps, and Clamp Rings around Posts.

STEP 6

Center Panel Assembly on Rungs between Posts. Install two (2) 1/4" x 1-1/4" self-drilling screws (P/N 104403) at recessed areas of Panel flanges into bottom Rung to fix position of Panel.

FINAL STEP

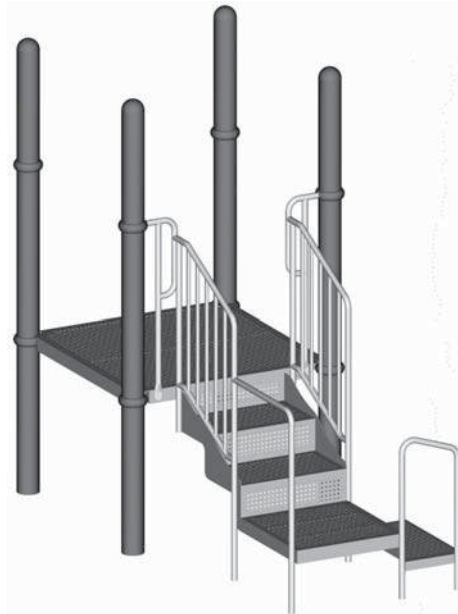
Proceed with *Final Assembly installation*.

Tots' Choice® - Mira-Therm II™

Square Transfer Points - 3', 4', 5', 6' & 6'-6" Decks with Closed or Open Handrails

Deck systems not included in these assemblies.

IMPORTANT! Prior to installation of any components, refer to **Playsystem Installation Guidelines and Tips** in the *Install 101* section of your manual. This section will provide important tips pertaining to **site preparation, footings, system stabilization,** and other necessary information **vital to the success of your installation.**



Model 718-851-39 shown.

TOOLS AND EQUIPMENT REQUIRED

Also see 'Suggested Tools & Equipment' (Doc. # D70052) in "Installations 101"

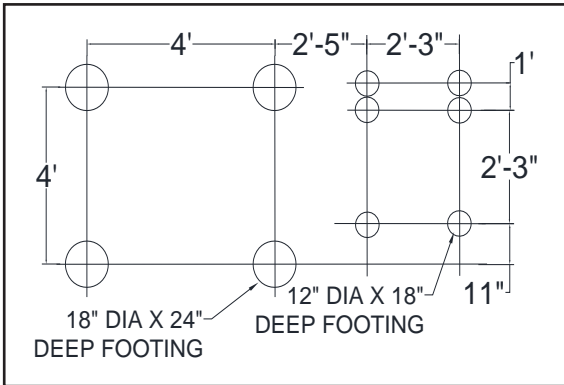
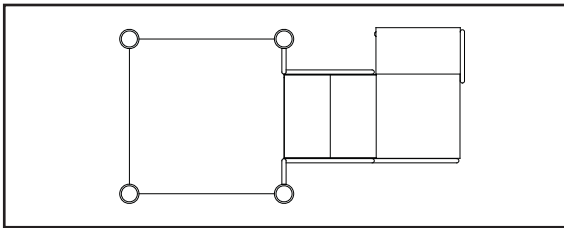
1. Concrete for footings, wheelbarrow or mixer, 5 gallon bucket, water supply
2. Digging equipment for footings (spade shovel, post hole digger, auger)
3. Bracing materials (2x4's, wood pieces, concrete blocks, bricks, jack stands, sawhorses, etc.)
4. Tape measure and level
5. Open end wrench set, Allen and 6-lobe wrenches or bits, socket set, screwdrivers
6. Drill, bits, extension cords, power supply
7. Hammer
8. Step ladder
9. Adult installers - 2 minimum

Tots' Choice® - Mira-Therm II™

Square Transfer Points - 3', 4', 5', 6' & 6'-6" Decks with Closed or Open Handrails

Deck systems not included in these assemblies.

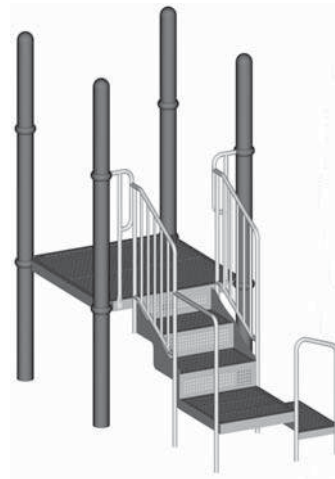
Top View



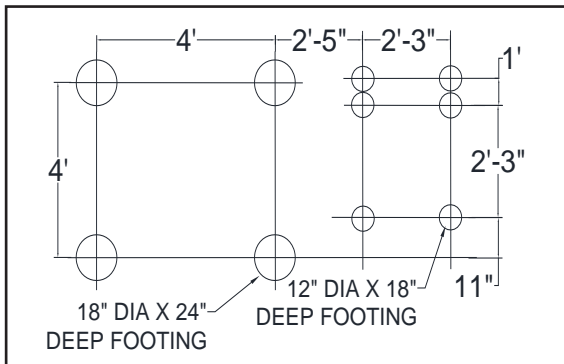
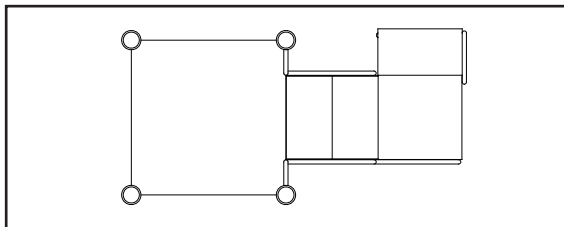
Footing Layout

718-851-39

Square Transfer Point for 3' Deck, Closed Bottom step to exit LEFT



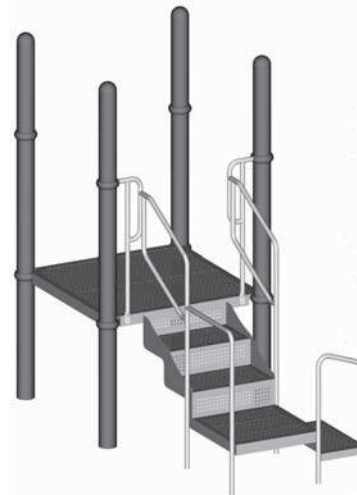
Top View



Footing Layout

718-851-359

Square Transfer Point for 3' Deck, Open Bottom step to exit LEFT

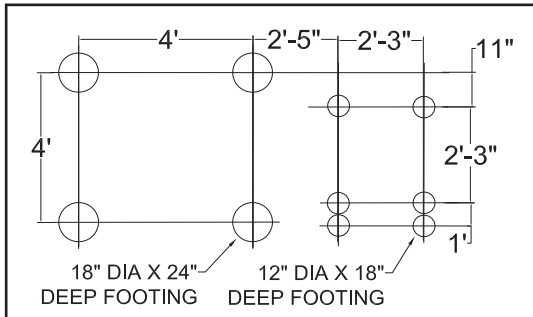
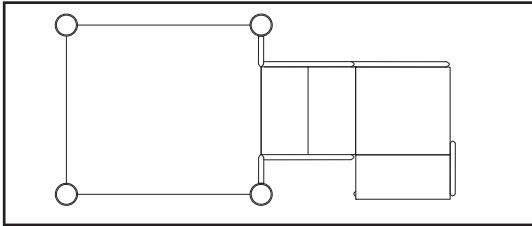


Tots' Choice® - Mira-Therm II™

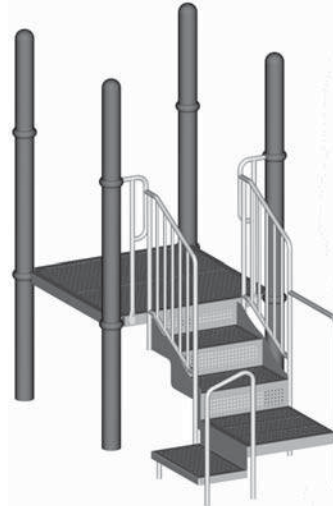
Square Transfer Points - 3', 4', 5', 6' & 6'-6" Decks with Closed or Open Handrails

Deck systems not included in these assemblies.

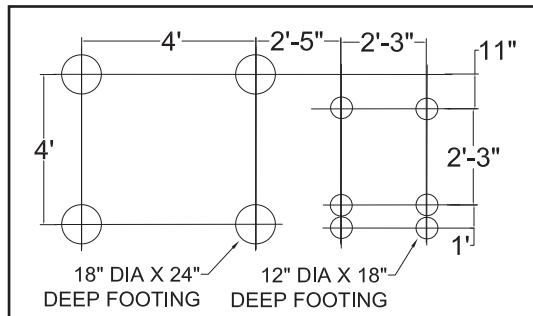
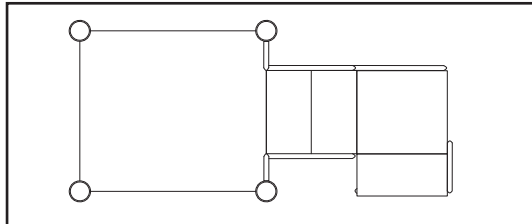
Top View



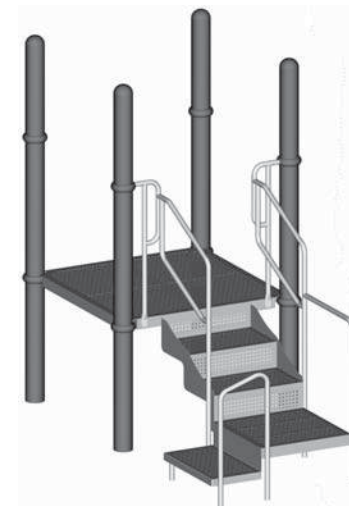
Footing Layout

718-851-39
Square Transfer Point for 3' Deck, Closed Bottom step to exit RIGHT


Top View



Footing Layout

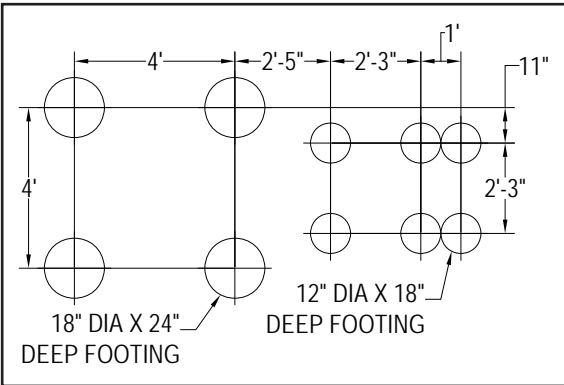
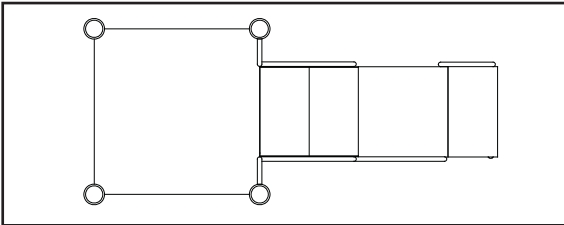
718-851-359
Square Transfer Point for 3' Deck, Open Bottom step to exit RIGHT


Tots' Choice® - Mira-Therm II™

Square Transfer Points - 3', 4', 5', 6' & 6'-6" Decks with Closed or Open Handrails

Deck systems not included in these assemblies.

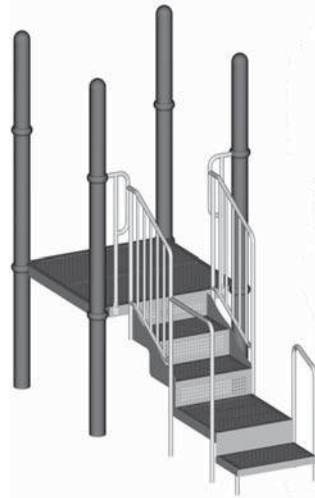
Top View



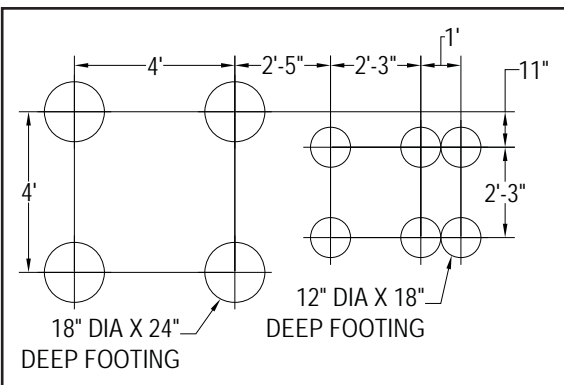
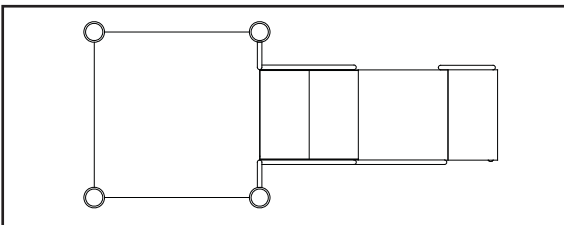
Footing Layout

718-851-39

Square Transfer Point for 3' Deck, Closed Bottom step to exit STRAIGHT with handrail on LEFT



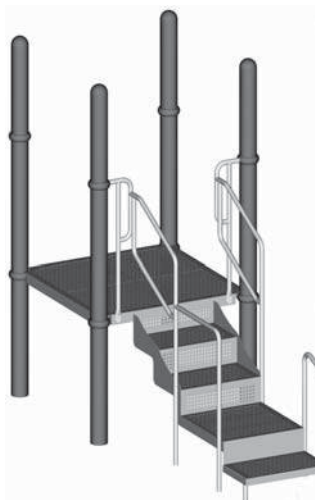
Top View



Footing Layout

718-851-359

Square Transfer Point for 3' Deck, Open Bottom step to exit STRAIGHT with handrail on LEFT

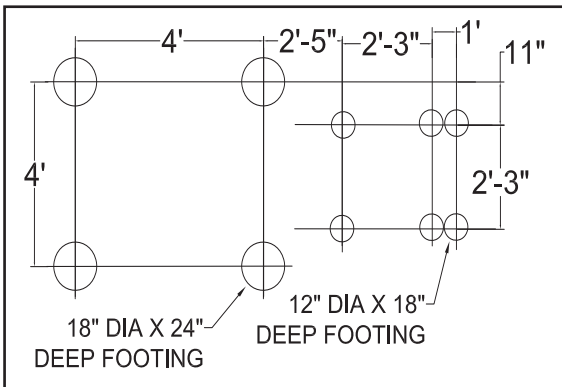
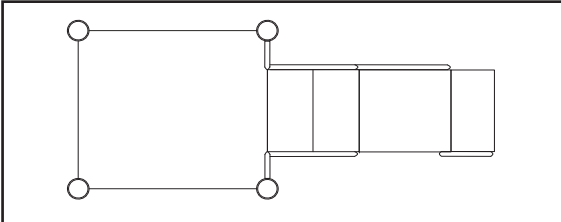


Tots' Choice® - Mira-Therm II™

Square Transfer Points - 3', 4', 5', 6' & 6'-6" Decks with Closed or Open Handrails

Deck systems not included in these assemblies.

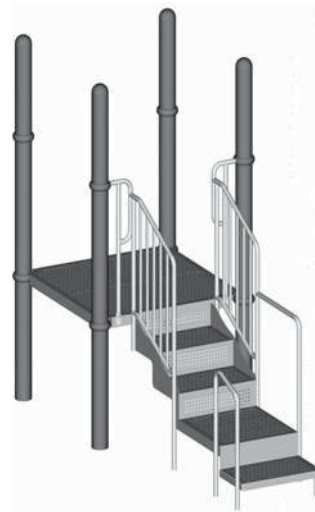
Top View



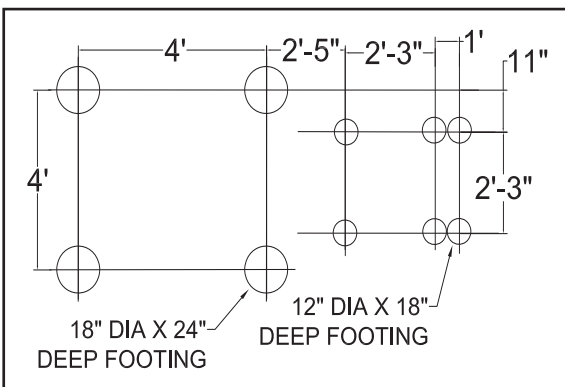
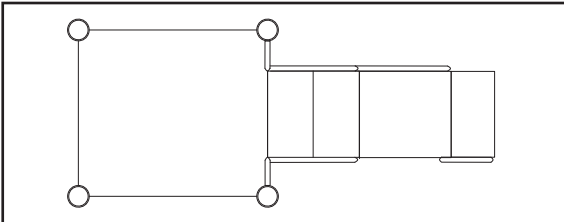
Footing Layout

718-851-39

Square Transfer Point for 3' Deck, Closed
Bottom step to exit STRAIGHT
with handrail on RIGHT



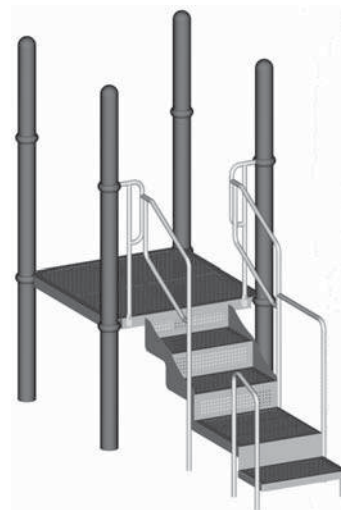
Top View



Footing Layout

718-851-39

Square Transfer Point for 3' Deck, Open
Bottom step to exit STRAIGHT
with handrail on RIGHT

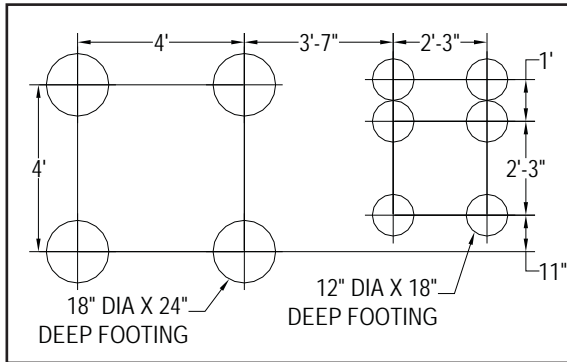
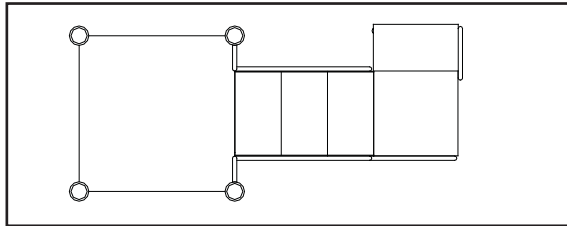


Tots' Choice® - Mira-Therm II™

Square Transfer Points - 3', 4', 5', 6' & 6'-6" Decks with Closed or Open Handrails

Deck systems not included in these assemblies.

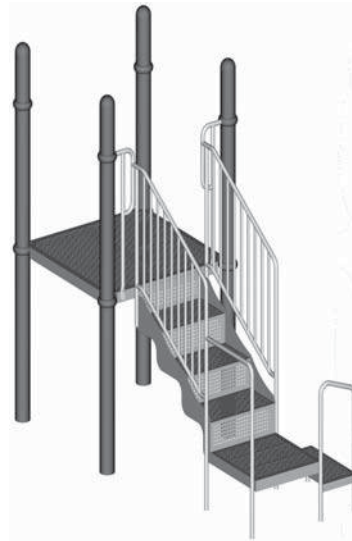
Top View



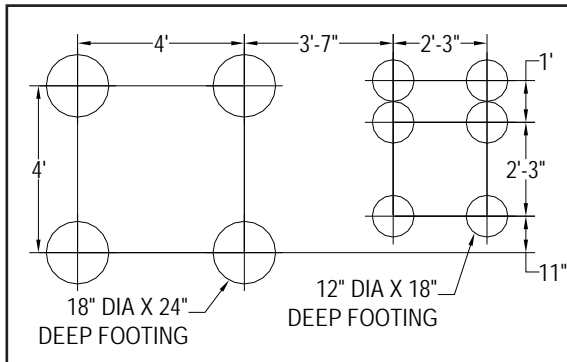
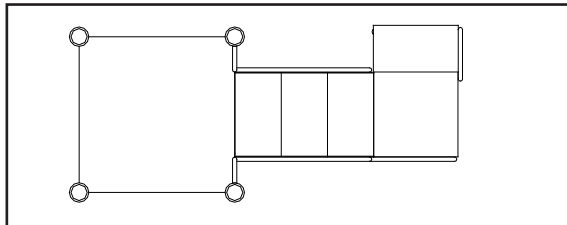
Footing Layout

718-851-49

Square Transfer Point for 4' Deck, Closed Bottom step to exit LEFT



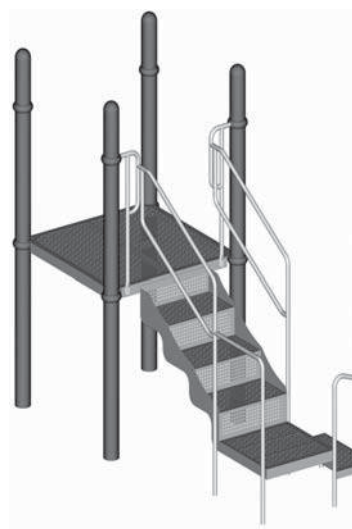
Top View



Footing Layout

718-851-459

Square Transfer Point for 4' Deck, Open Bottom step to exit LEFT

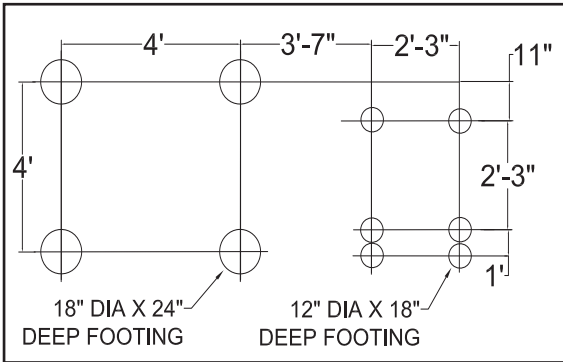
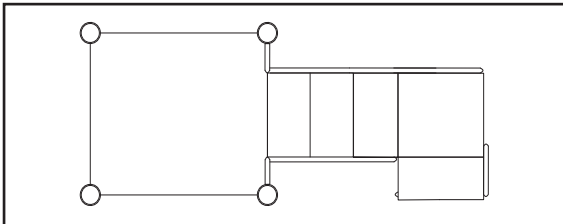


Tots' Choice® - Mira-Therm II™

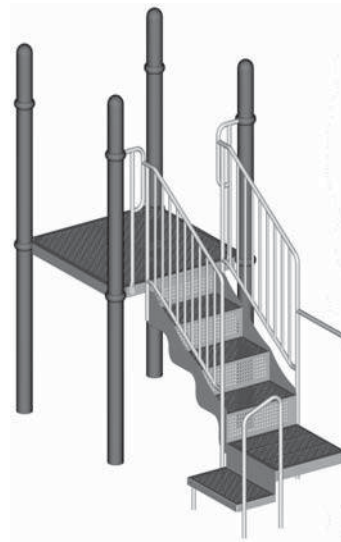
Square Transfer Points - 3', 4', 5', 6' & 6'-6" Decks with Closed or Open Handrails

Deck systems not included in these assemblies.

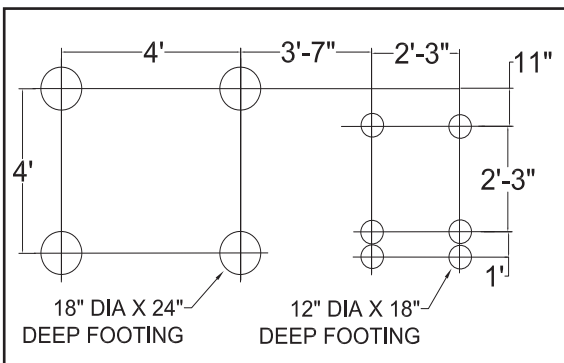
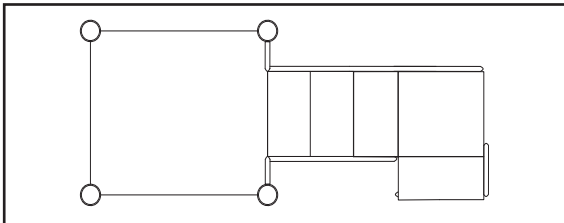
Top View



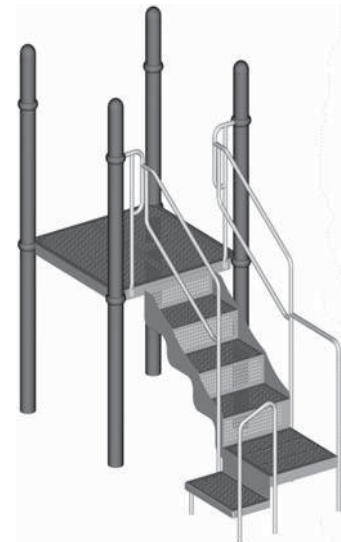
Footing Layout

718-851-49
Square Transfer Point for 4' Deck, Closed Bottom step to exit RIGHT


Top View



Footing Layout

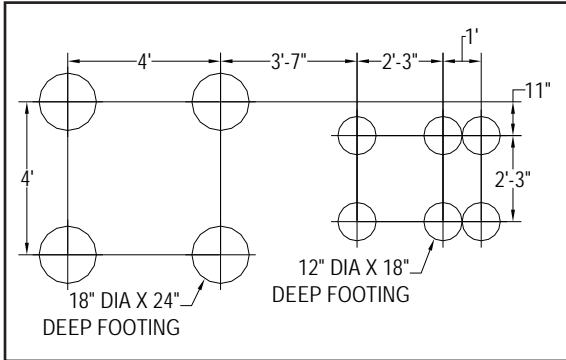
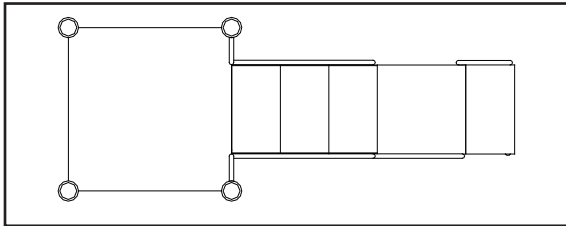
718-851-459
Square Transfer Point for 4' Deck, Open Bottom step to exit RIGHT


Tots' Choice® - Mira-Therm II™

Square Transfer Points - 3', 4', 5', 6' & 6'-6" Decks with Closed or Open Handrails

Deck systems not included in these assemblies.

Top View



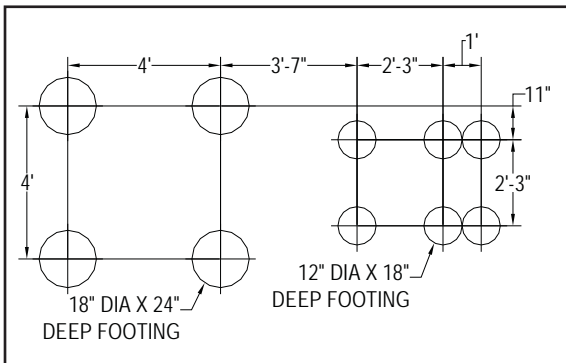
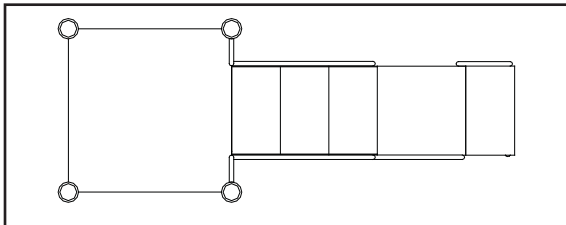
Footing Layout

718-851-49

Square Transfer Point for 4' Deck, Closed
Bottom step to exit STRAIGHT
with handrail on LEFT



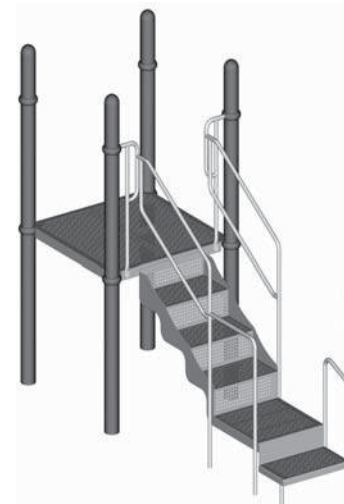
Top View



Footing Layout

718-851-459

Square Transfer Point for 4' Deck, Open
Bottom step to exit STRAIGHT
with handrail on LEFT

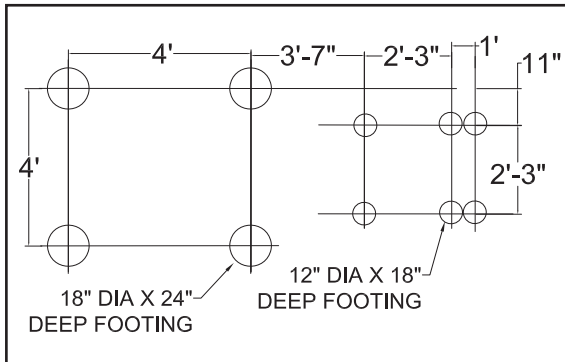
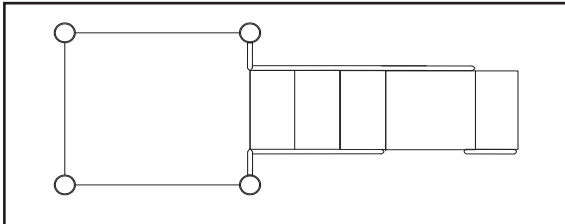


Tots' Choice® - Mira-Therm II™

Square Transfer Points - 3', 4', 5', 6' & 6'-6" Decks with Closed or Open Handrails

Deck systems not included in these assemblies.

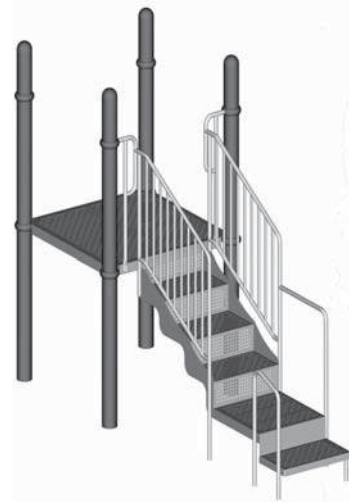
Top View



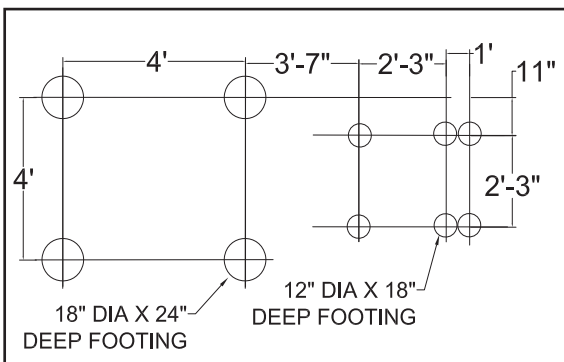
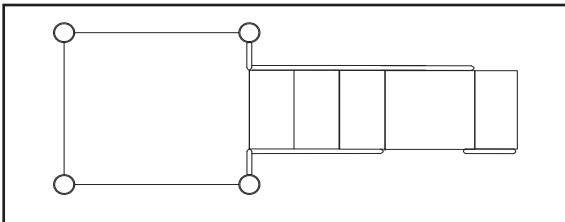
Footing Layout

718-851-49

Square Transfer Point for 4' Deck, Closed
Bottom step to exit STRAIGHT
with handrail on RIGHT



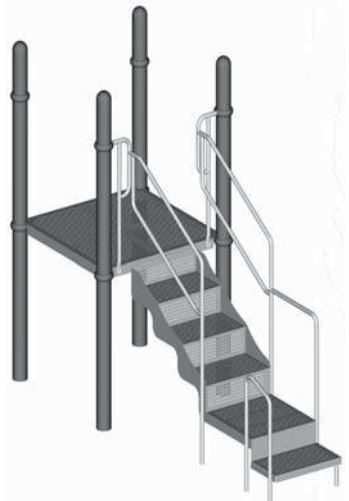
Top View



Footing Layout

718-851-459

Square Transfer Point for 4' Deck, Open
Bottom step to exit STRAIGHT
with handrail on RIGHT

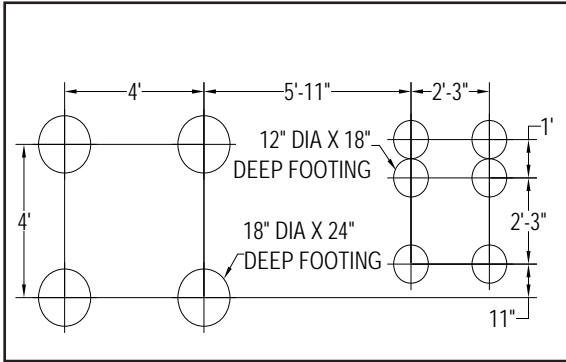
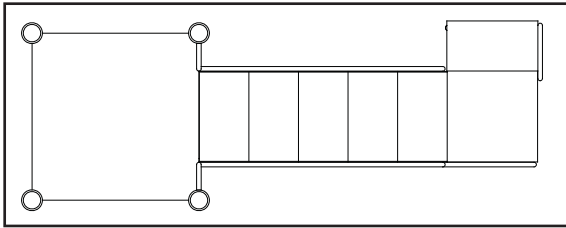


Tots' Choice® - Mira-Therm II™

Square Transfer Points - 3', 4', 5', 6' & 6'-6" Decks with Closed or Open Handrails

Deck systems not included in these assemblies.

Top View



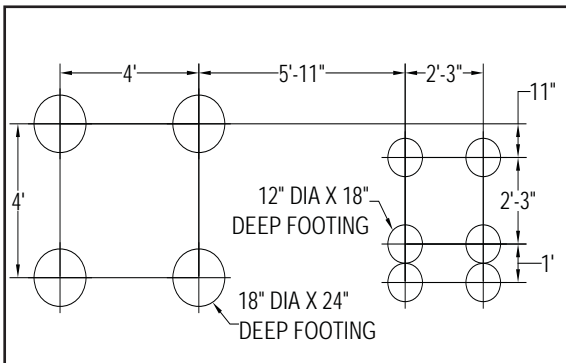
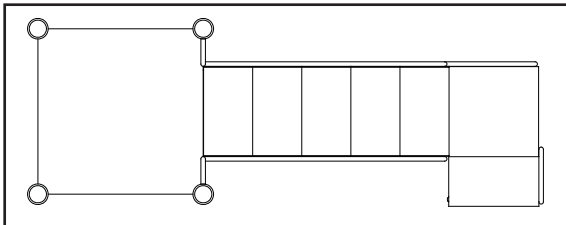
Footing Layout

718-851-59

Square Transfer Point for 5' Deck, Closed Bottom step to exit LEFT



Top View



Footing Layout

718-851-59

Square Transfer Point for 5' Deck, Closed Bottom step to exit RIGHT

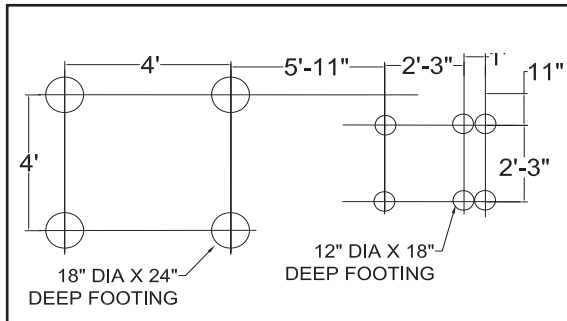
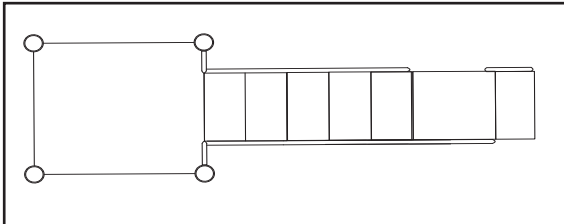


Tots' Choice® - Mira-Therm II™

Square Transfer Points - 3', 4', 5', 6' & 6'-6" Decks with Closed or Open Handrails

Deck systems not included in these assemblies.

Top View



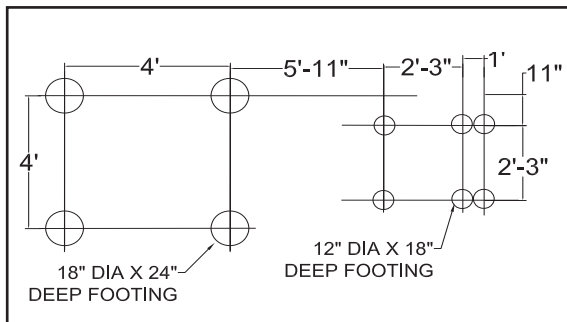
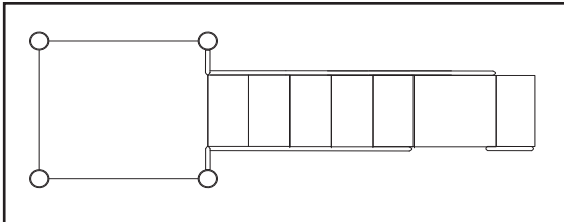
Footing Layout

718-851-59

Square Transfer Point for 5' Deck, Closed
Bottom step to exit STRAIGHT
with handrail on LEFT



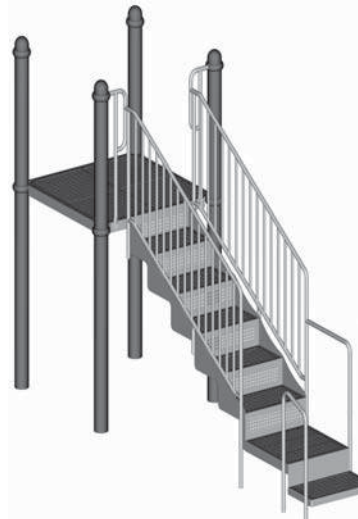
Top View



Footing Layout

718-851-59

Square Transfer Point for 5' Deck, Closed
Bottom step to exit STRAIGHT
with handrail on RIGHT

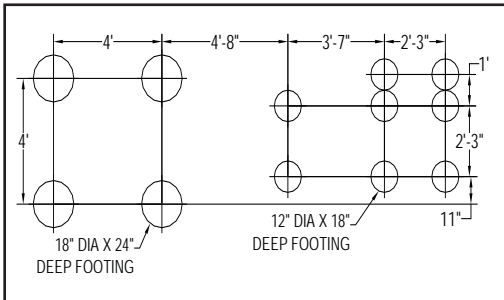
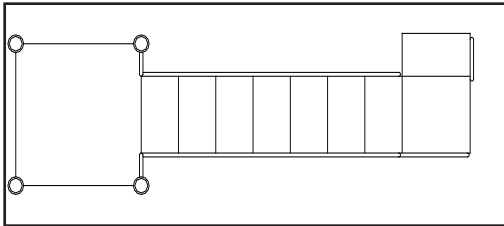


Tots' Choice® - Mira-Therm II™

Square Transfer Points - 3', 4', 5', 6' & 6'-6" Decks with Closed or Open Handrails

Deck systems not included in these assemblies.

Top View



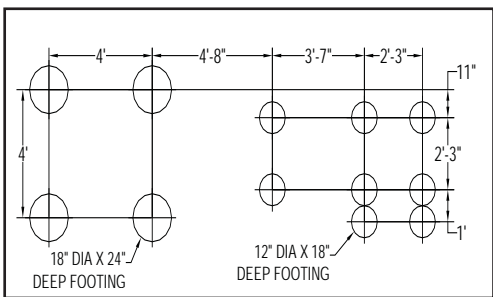
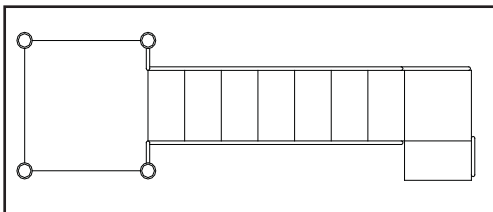
Footing Layout

718-851-69

Square Transfer Point for 6' & 6'-6" Deck, Closed Bottom step to exit LEFT



Top View



Footing Layout

718-851-69

Square Transfer Point for 6' & 6'-6" Deck, Closed Bottom step to exit RIGHT

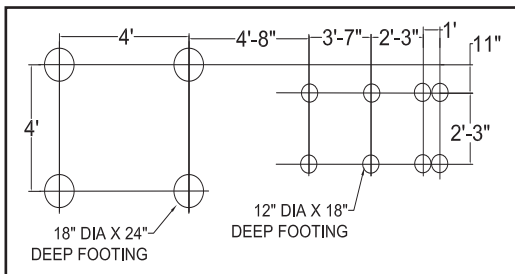
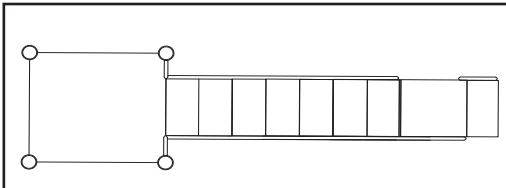


Tots' Choice® - Mira-Therm II™

Square Transfer Points - 3', 4', 5', 6' & 6'-6" Decks with Closed or Open Handrails

Deck systems not included in these assemblies.

Top View



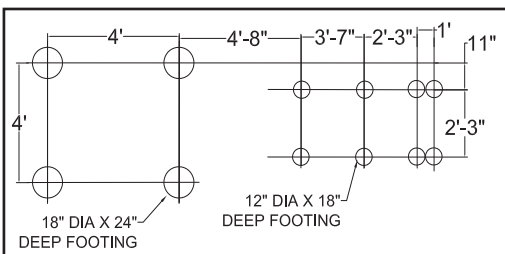
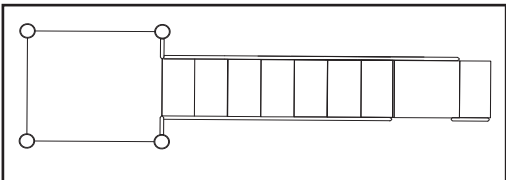
Footing Layout

718-851-69

Square Transfer Point for 6' & 6'-6" Deck, Closed
Bottom step to exit STRAIGHT
with handrail on LEFT



Top View



Footing Layout

718-851-69

Square Transfer Point for 6' & 6'-6" Deck, Closed
Bottom step to exit STRAIGHT
with handrail on RIGHT



Tots' Choice® - Mira-Therm II™

Square Transfer Points - 3', 4', 5', 6' & 6'-6" Decks with Closed or Open Handrails

Deck systems not included in these assemblies.

RECOMMENDED ASSEMBLY SEQUENCE

1. Deck system (per separate instructions)
2. Footings
3. Deck enclosures to deck and to posts (via clamps and bar sockets)
4. Stair handrail and stair/deck handrail to deck enclosures
5. Swaged extensions (and sleeves if applicable) to stair handrail and stair/deck handrail (extensions into footings)
6. Stair to deck and to handrails (via sleeves if applicable)
7. Transfer point deck to stair
8. Transfer deck handrail to stair/deck handrail and transfer point deck (transfer deck handrail into footing)
9. Transfer step handrail to transfer point deck (transfer step handrail into footings)
10. Bottom step to transfer point deck and transfer step handrail
11. Rung leg to bottom step (rung leg into footing)
12. Final assembly

STEP 1

- 1a. Read *Safety Brochure 100, Important Notes*, these instructions, and other enclosed materials. Unpack, count, and become familiar with system components and hardware.

STEP 2

- 2a. Install deck system per separate instructions. Plumb, level and brace in position.

Note: Do not pour concrete for footings, or permanently secure clamps to posts with self-drilling screws, until all components in system have been installed per instructions and braced in position, level and plumb.

STEP 3

- 3a. Dig footings per *Footing Layout, Construction Drawings, and Footing Details installation.*

Tots' Choice® - Mira-Therm II™

Square Transfer Points - 3', 4', 5', 6' & 6'-6" Decks with Closed or Open Handrails

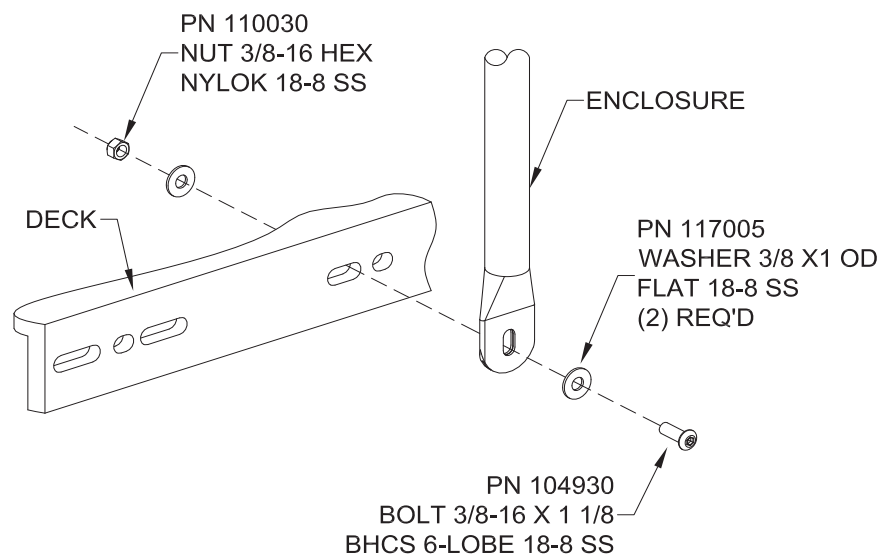
Deck systems not included in these assemblies.

STEP 4

- 4a. Refer to *Versalok Fastening System installation*. Loosely assemble clamp rings around posts so that bottom edge of each clamp is **37-3/8"** from top edge of deck supporting clamp.
- 4b. Loosely assemble a bar socket to each clamp ring and orient toward center of deck midpoint.

STEP 5

- 5a. Position deck enclosures (PN 990133P) with top rail ends in bar sockets, uprights plumb and holes in mached ends aligned with holes in deck.
- 5b. Use a drill to remove excess PVC from only mating bolt holes in deck edge. Assemble enclosures to deck as shown below.
- 5c. Refer to *Versalok Fastening System installation*. Affix enclosures in bar sockets, bar sockets to clamps and clamp rings around posts. If necessary, adjust clamp positions to ensure enclosure uprights are plumb.



Tots' Choice® - Mira-Therm II™

Square Transfer Points - 3', 4', 5', 6' & 6'-6" Decks with Closed or Open Handrails

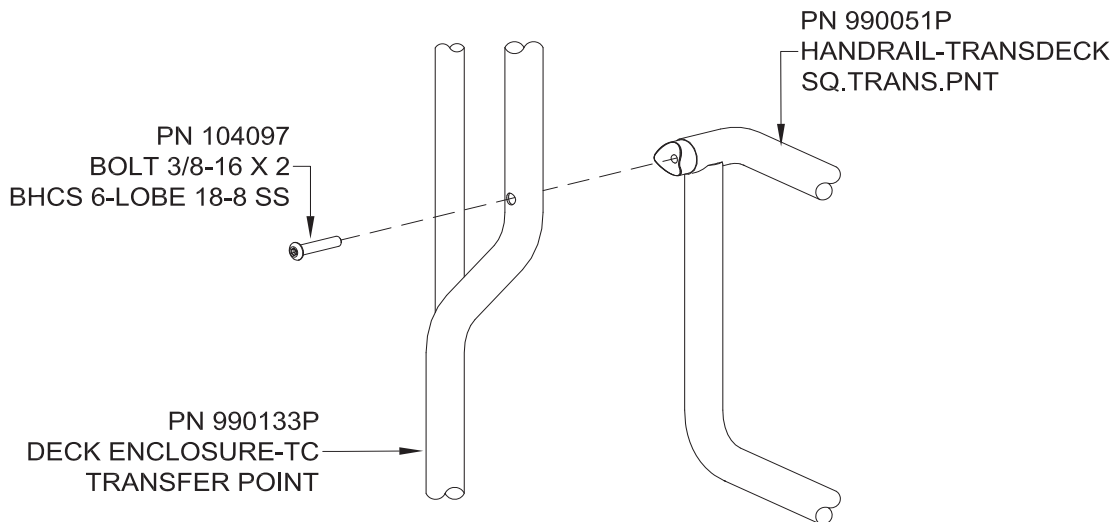
Deck systems not included in these assemblies.

STEP 6

- 6a. Refer to *Construction Drawing Top View* to determine planned orientation of transfer point's bottom step and transfer step handrail, which establishes correct location for stair handrail and stair/deck handrail (i.e. which side of stair assembly to install each).

Note: Transfer handrail contains a bolt hole in its bottom upright for assembly of transfer deck handrail, while stair handrail does not contain the hole.

- 6b. Assemble top ends of handrails to deck enclosures as shown. Support handrails until next step is complete.



STEP 7

For models from 5' and 6'-6" Decks only:

- 7a. Refer to *step 12* or *step 13 illustration*. Place handrail sleeves on lower upright of stair handrail and stair/deck handrail and loosely insert a bolt into one hole, to hold sleeve above connection point of handrail extension (per next instruction). Repeat for middle uprights for model 718-851-59 only.

Tots' Choice® - Mira-Therm II™

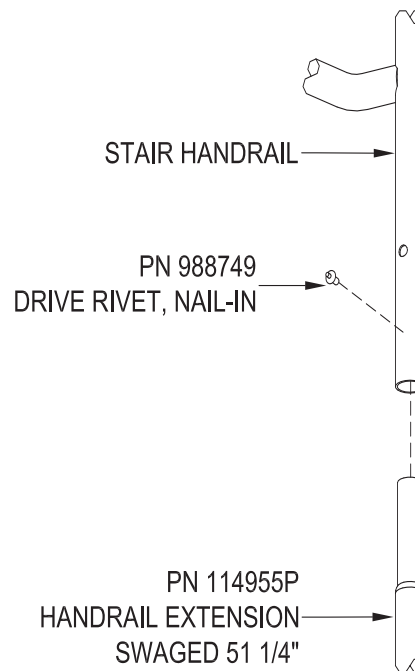
Square Transfer Points - 3', 4', 5', 6' & 6'-6" Decks with Closed or Open Handrails

Deck systems not included in these assemblies.

STEP 7, cont.

For ALL models:

- 7b. Set handrail extensions into footings beneath uprights of stair handrail and stair/deck handrail. Insert and fully seat swaged ends of extensions into lower handrail uprights and middle uprights for model 718-851-69 only.
- 7c. Plumb assemblies and drill a 1/4" hole through handrails into extensions. Fully seat a drive rivet in each and strike pin with hammer to expand.



STEP 8

- 8a. Use a drill to remove excess PVC from four (4) bolt holes in both top and bottom ends of stair, for attachment to deck and transfer point deck, and from holes on both sides of stair for handrail attachment.
- 8b. Remove excess PVC from mating bolt holes in deck edge and two faces of transfer point deck for attachment to stair and bottom step.

THIS SPACE INTENTIONALLY LEFT BLANK

Tots' Choice® - Mira-Therm II™

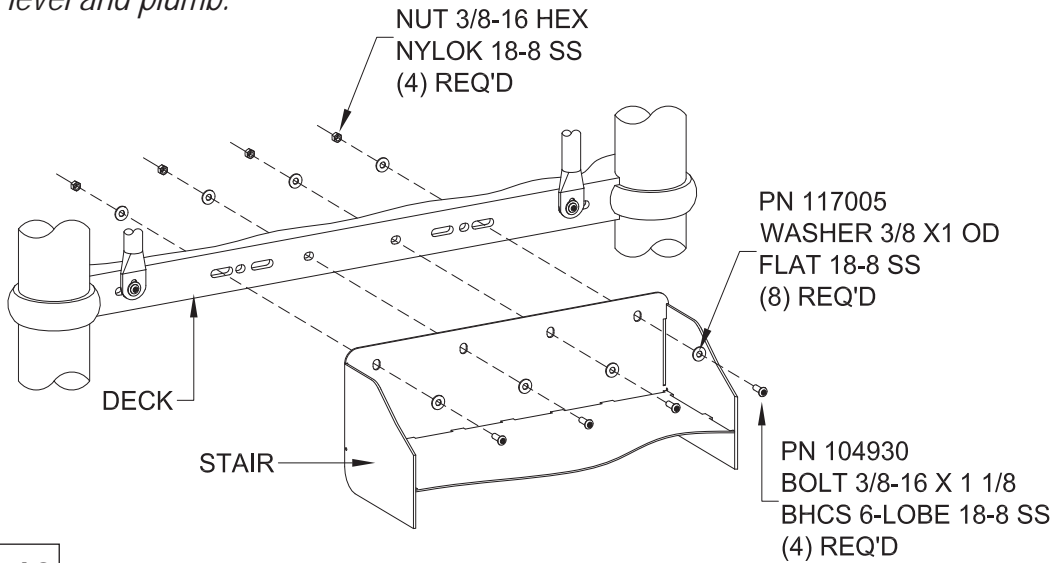
Square Transfer Points - 3', 4', 5', 6' & 6'-6" Decks with Closed or Open Handrails

Deck systems not included in these assemblies.

STEP 9

9a. Position top end of stair against deck and assemble as shown.

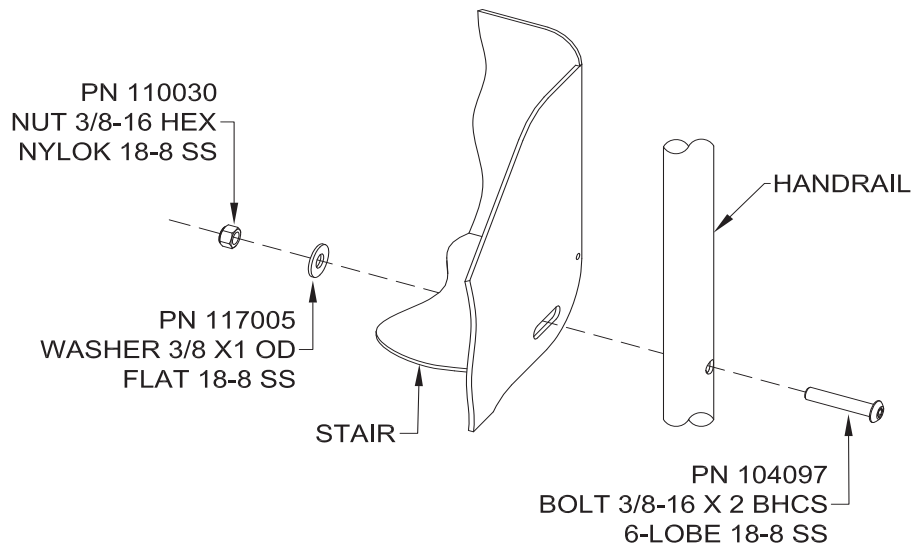
Note: Do not tighten bolts in this assembly until all parts are fully installed and braced in position, level and plumb.



STEP 10

For models with Closed (Spoked) Handrails only:

10a. Assemble topmost upright on handrails to stair sides as shown. Assemble middle upright on handrails to stair sides as shown for model 718-851-59 only.



Tots' Choice® - Mira-Therm II™

Square Transfer Points - 3', 4', 5', 6' & 6'-6" Decks with Closed or Open Handrails

Deck systems not included in these assemblies.

STEP 11

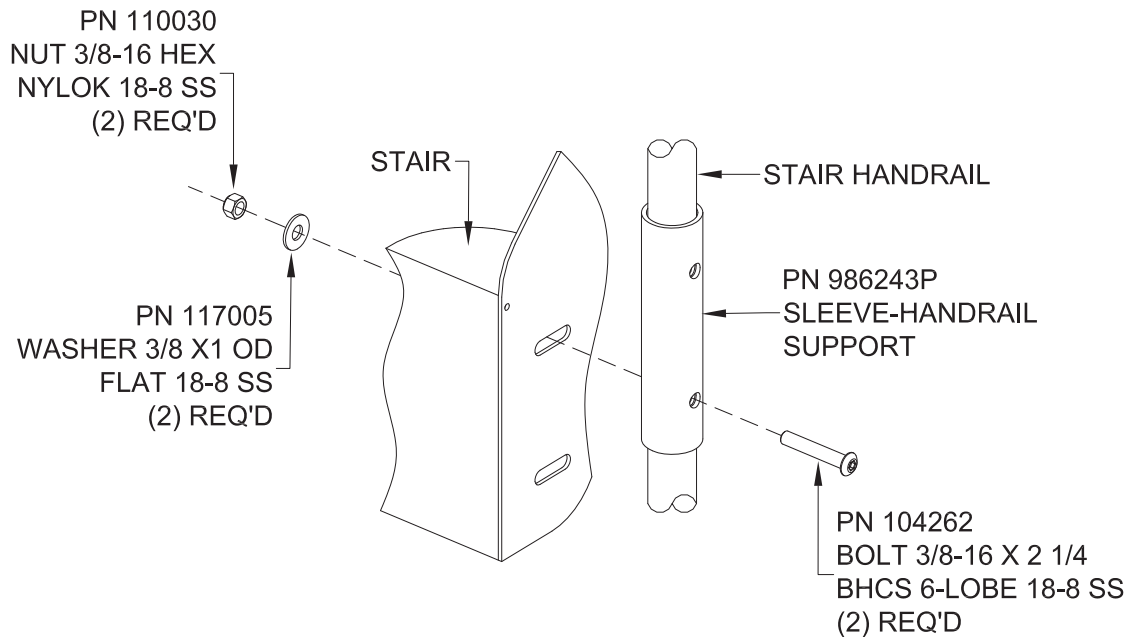
For models from 3' and 4' Decks only:

11a. Refer to *Step 10 illustration* on previous page. Assemble handrails to stair sides (at bottom end) as shown.

STEP 12

For models from 5' Decks only:

12a. Bolt through bottom hole in handrail sleeve, through pre-drilled hole in handrail (above connection point of swaged extension), and through pre-drilled hole in stair. Repeat on opposite side of stair.



THIS SPACE INTENTIONALLY LEFT BLANK

Tots' Choice® - Mira-Therm II™

Square Transfer Points - 3', 4', 5', 6' & 6'-6" Decks with Closed or Open Handrails

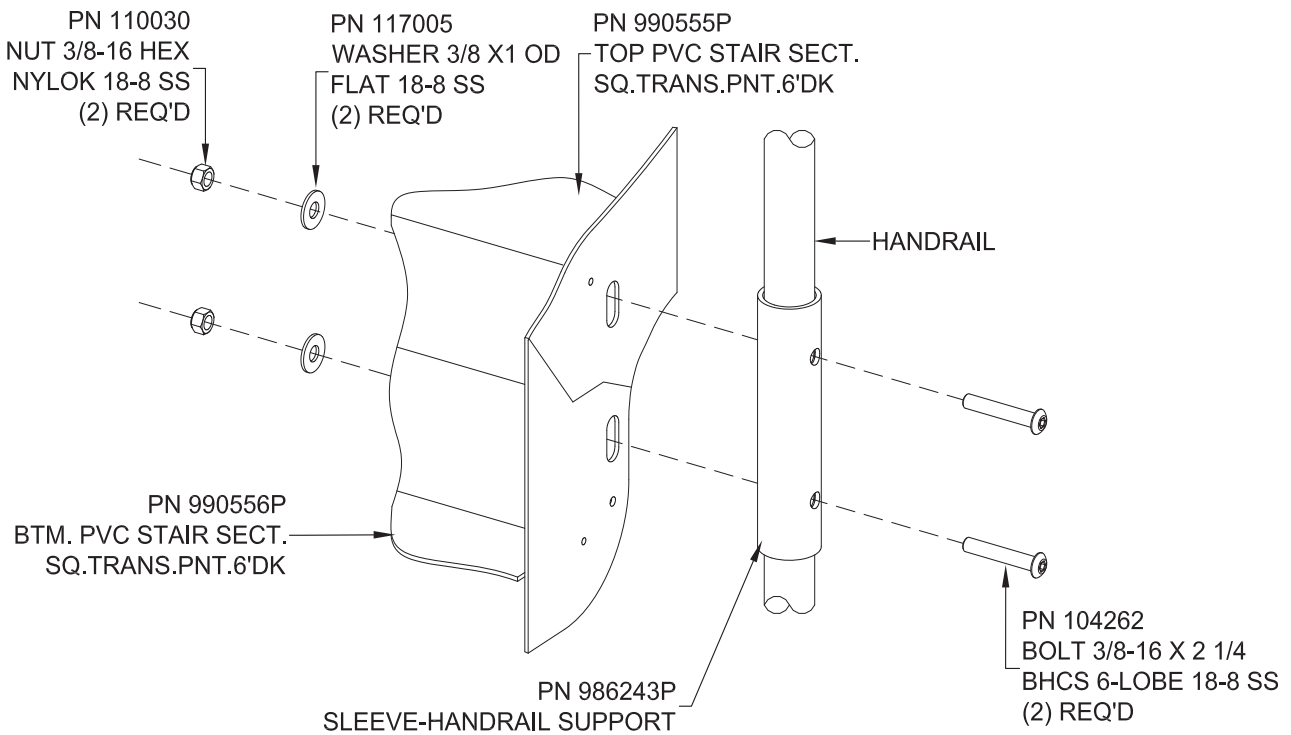
Deck systems not included in these assemblies.

STEP 13

For models from 6'-6" Decks only:

13a. Assemble handrails to stair sides (at approximate mid-point and bottom end) through handrail sleeves as shown (in effect, splicing bottom stair to top stair).

Note: The bottom end handrail uprights contain only one pre-drilled hole, as in step 12 illustration on previous page, not two as shown in "mid-point" handrail illustration below, and require only one bolt, washer and nut each; bolt through sleeve's bottom hole only when assembling to bottom end handrail uprights.



Tots' Choice® - Mira-Therm II™

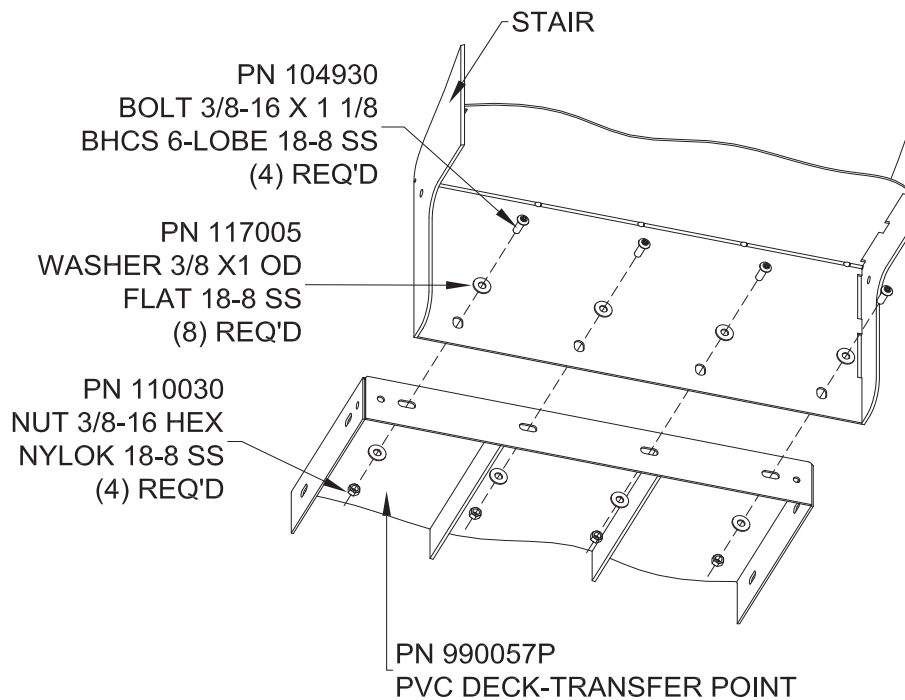
Square Transfer Points - 3', 4', 5', 6' & 6'-6" Decks with Closed or Open Handrails

Deck systems not included in these assemblies.

STEP 14

14a. Attach transfer point deck to stair assembly as shown. Support deck until assembled to handrails in next steps.

Note: If model is attached to 6' deck, transfer point deck must stand 11" from finished grade. If model is attached to 6'-6" deck, transfer point deck must stand 16" from finished grade.



THIS SPACE INTENTIONALLY LEFT BLANK

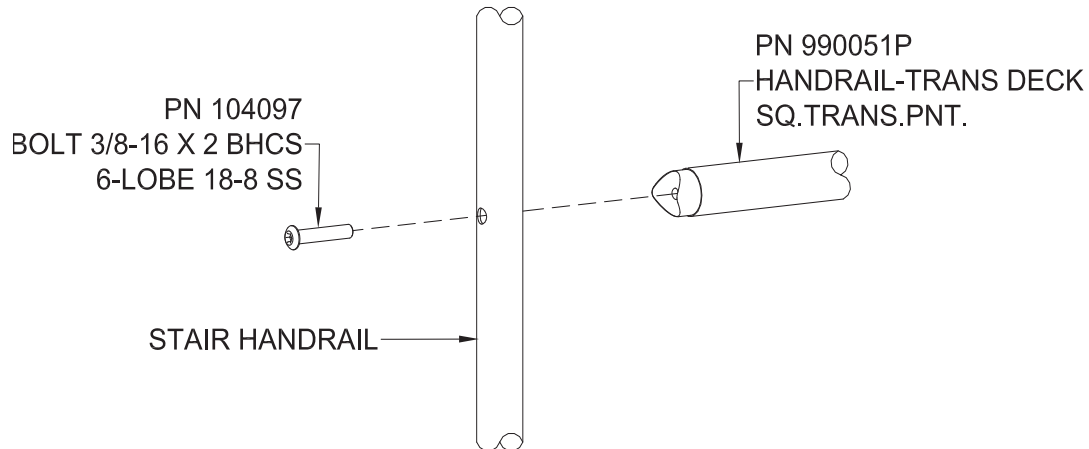
Tots' Choice® - Mira-Therm II™

Square Transfer Points - 3', 4', 5', 6' & 6'-6" Decks with Closed or Open Handrails

Deck systems not included in these assemblies.

STEP 15

15a. Set transfer deck handrail leg into footing and fasten top end to stair/deck handrail as shown.



STEP 16

16a. Refer to pertinent *model illustration* from *pages 1 - 8*. Locate bolt holes on sides of transfer point deck that mate with bolt holes in transfer deck handrail and transfer step handrail. Use a drill to remove excess PVC from them.

STEP 17

17a. Refer to *step 10 illustration* on *page 18*. Attach transfer point deck to transfer deck handrail.

STEP 18

18a. Refer to *step 10 illustration* on *page 18*. Place legs of transfer step handrail into footing holes, with longer leg (higher arch) oriented toward transfer point deck. Fasten longer leg of transfer step handrail to transfer point deck.

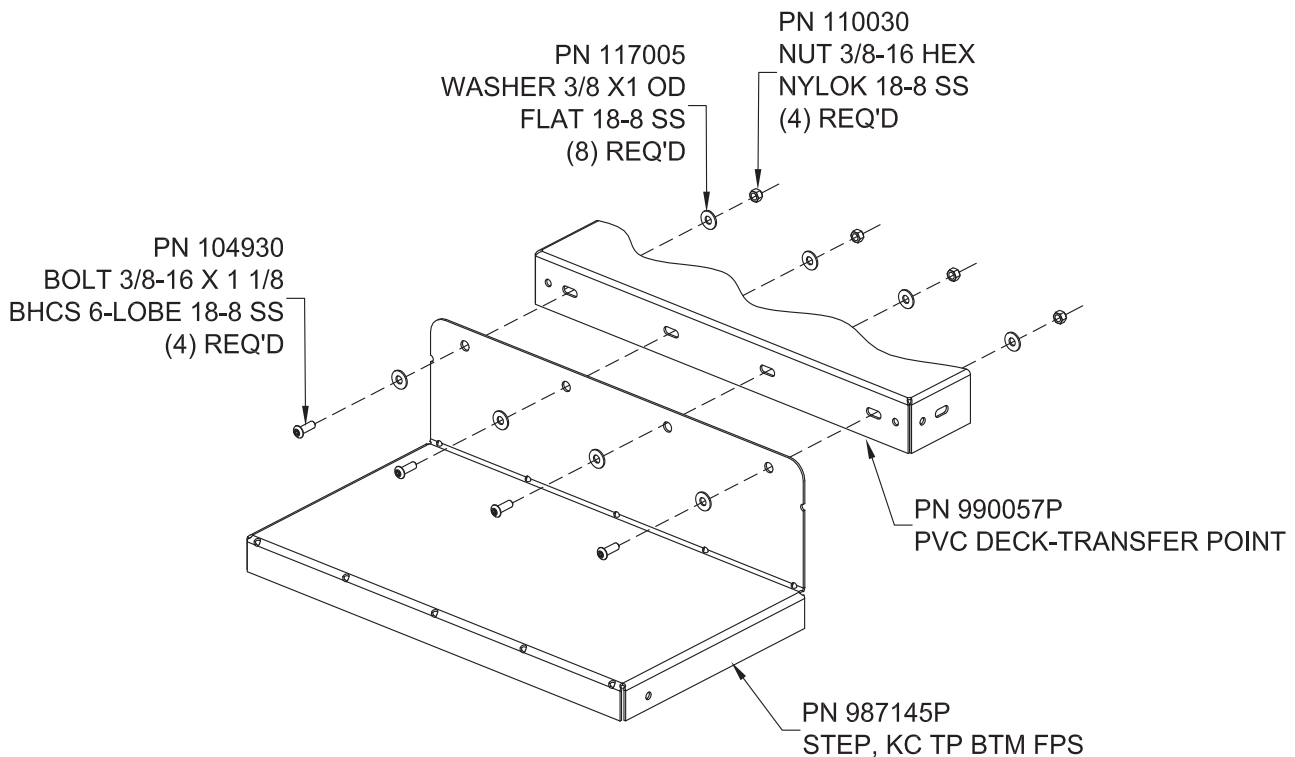
Tots' Choice® - Mira-Therm II™

Square Transfer Points - 3', 4', 5', 6' & 6'-6" Decks with Closed or Open Handrails

Deck systems not included in these assemblies.

STEP 19

- 19a. Use drill to remove excess PVC from bolt holes in top of bottom step and on sides for handrail and rung leg attachment.
- 19b. Assemble bottom step to transfer point deck as shown.
- 19c. Refer to *step 10 illustration on page 18*. Fasten side of bottom step to shorter leg of transfer step handrail.



THIS SPACE INTENTIONALLY LEFT BLANK

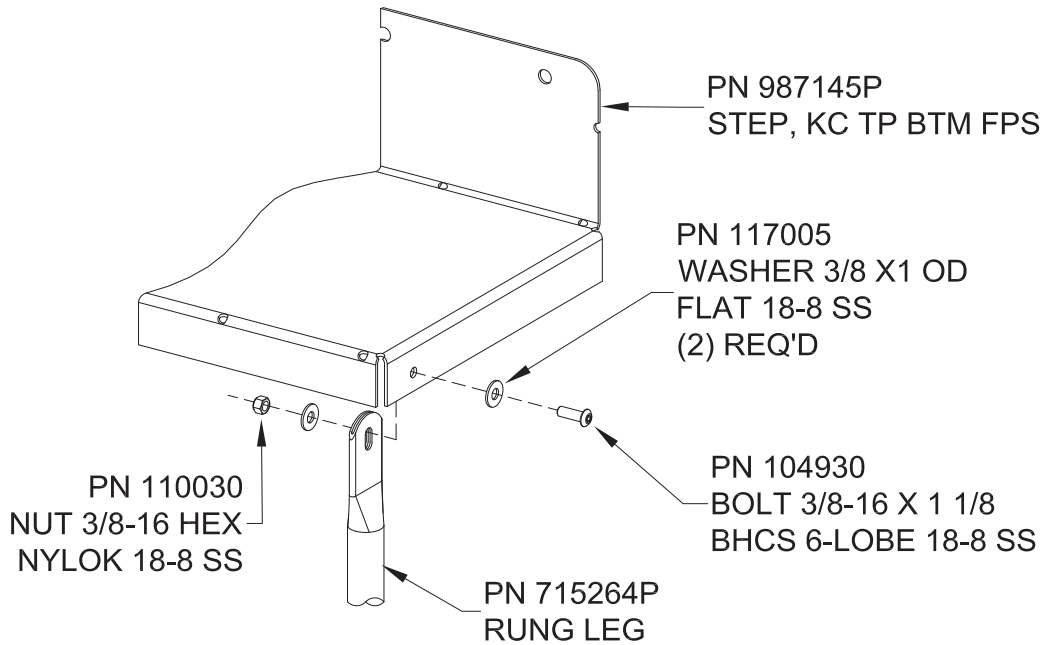
Tots' Choice® - Mira-Therm II™

Square Transfer Points - 3', 4', 5', 6' & 6'-6" Decks with Closed or Open Handrails

Deck systems not included in these assemblies.

STEP 20

20a. Set rung leg into footing and attach to bottom step as shown.



FINAL STEP

Plumb and level entire assembly. Tighten all hardware. Proceed with *Final Assembly installation*.



MIRACLE
RECREATION EQUIPMENT COMPANY

Installation Guide

Tots' Choice® - Mira-Therm II

Level Ramps, 90° Level Ramps and Arched Bridges with Spoked & Open Handrails

IMPORTANT! Prior to installation of any components, refer to Playsystem Installation Guidelines and Tips in the *Install 101* section of your manual. This section will provide important tips pertaining to site preparation, footings, system stabilization, and other necessary information vital to the success of your installation.

Models included in this installation guide:

<u>MODEL #</u>	<u>DESCRIPTION</u>	<u>PAGE #</u>
718-856-9	Level Ramp - Spoked Handrails	2
718-856-59	Level Ramp - Open Handrails	2
718-856-L9	90° Level Ramp - Spoked Handrails	3
718-856-L59	90° Level Ramp - Open Handrails	3
718-970-9	Arched Bridge - Spoked Handrails	4
718-970-59	Arched Bridge - Open Handrails	4

Deck Systems are NOT included in these assemblies.

Please refer to Construction Drawings for the model particular to your system.

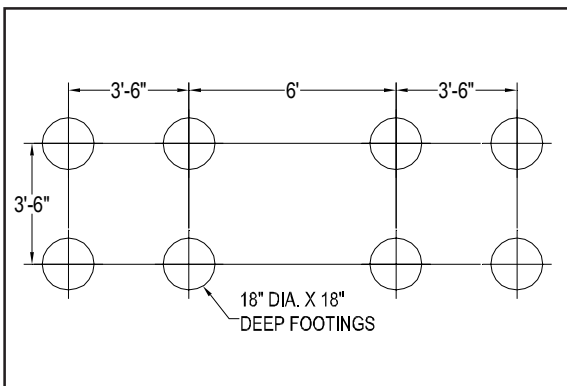
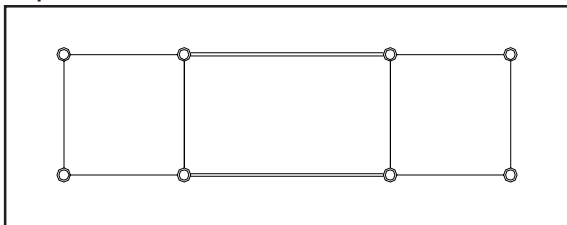
TOOLS AND EQUIPMENT REQUIRED

Also see 'Suggested Tools & Equipment' (Doc. # D70052) in "Installations 101"

1. Tape measure and level
2. Open end wrench set, Allen and 6-lobe wrenches or bits, socket set, screwdrivers
3. Drill, drill bits, extension cords, power supply
4. Step ladder
5. Bracing materials (2x4s, wood pieces, jack stands, etc.)
6. Adult installers - 2 minimum

Tots' Choice® - Mira-Therm II Level Ramps, 90° Level Ramps and Arched Bridges

Top View



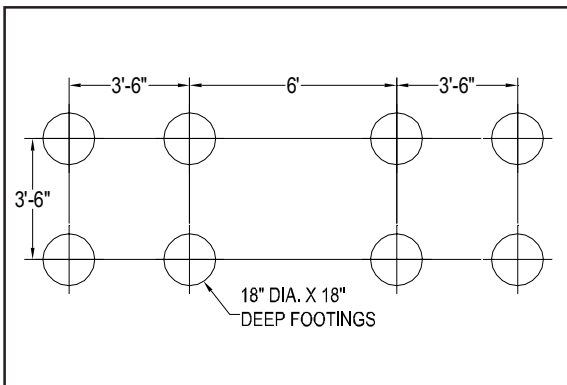
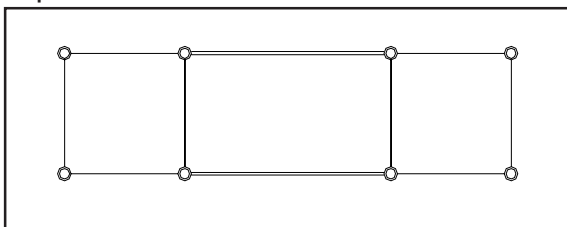
Footing Layout

718-856-9

Level Ramp - Spoked Handrails



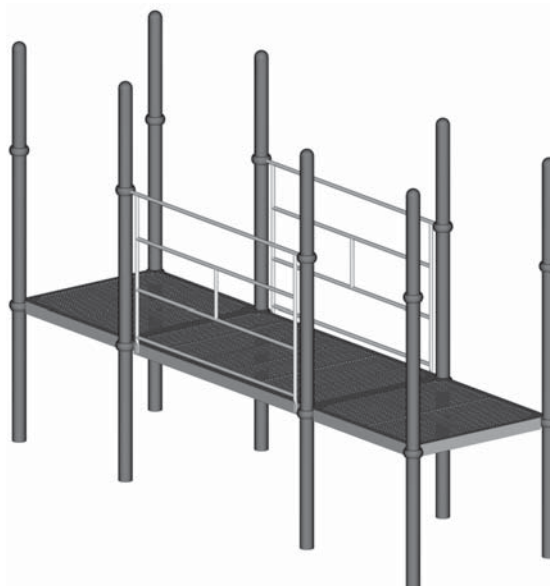
Top View



Footing Layout

718-856-59

Level Ramp - Open Handrails





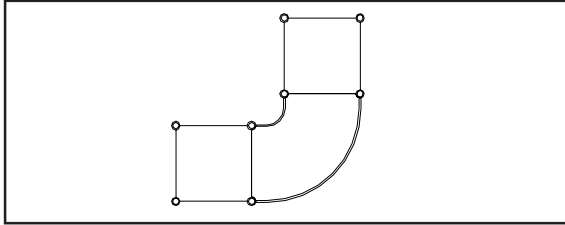
MIRACLE
RECREATION EQUIPMENT COMPANY

Tots' Choice® - Mira-Therm II

Level Ramps, 90° Level Ramps and Arched Bridges

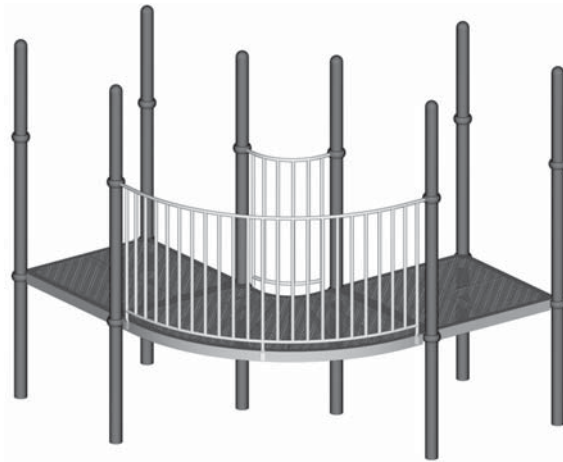
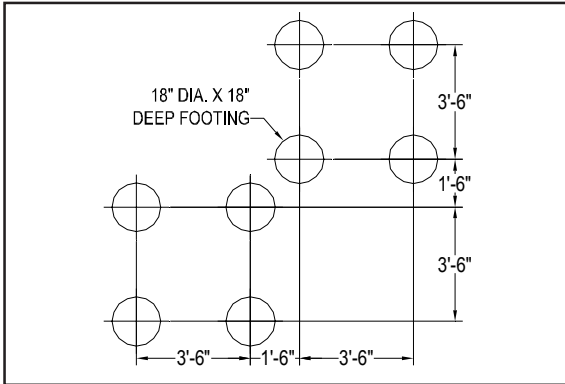
Level Ramps & Arched Bridges

Top View



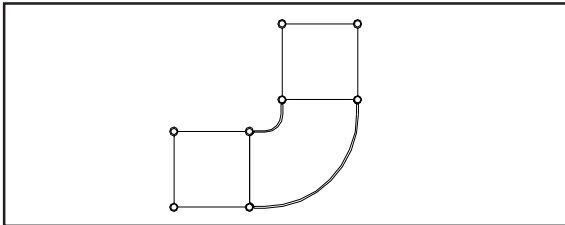
718-856-L9

90° Level Ramp - Spoked Handrails



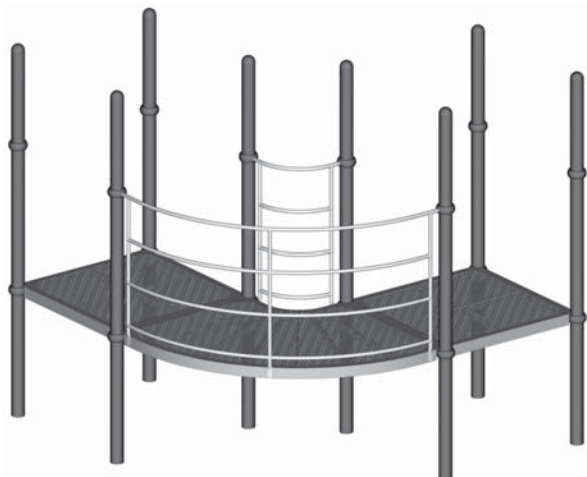
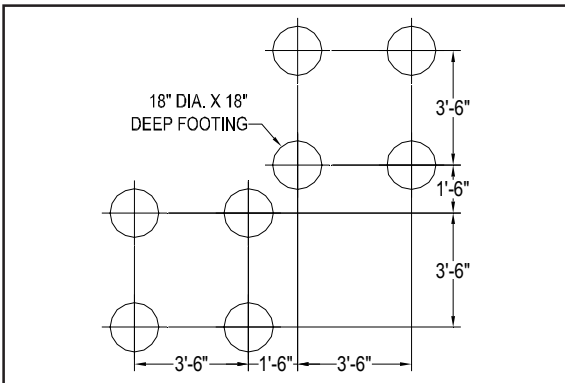
Footing Layout

Top View



718-856-L59

90° Level Ramp - Open Handrails

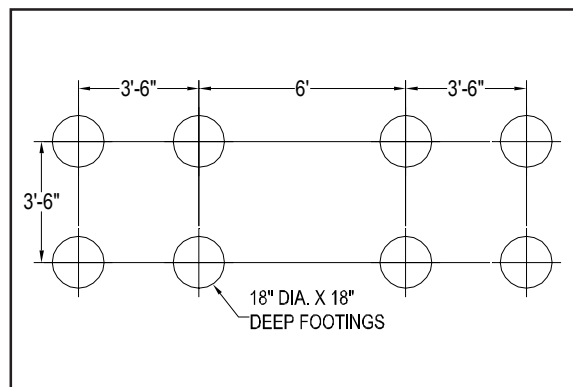
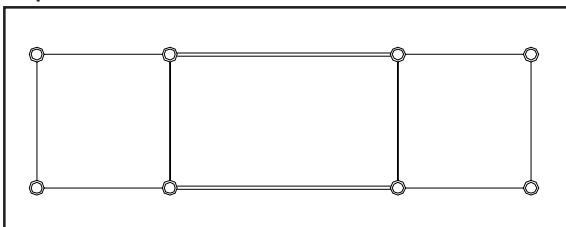


Footing Layout

718-856-9, 718-856-59, 718-856-L9, 718-856-L59, 718-970-9, 718-970-59

Tots' Choice® - Mira-Therm II Level Ramps, 90° Level Ramps and Arched Bridges

Top View



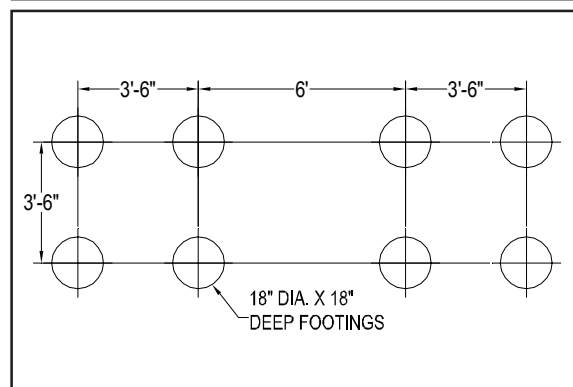
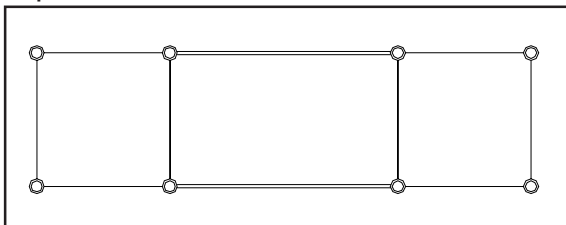
Footings Layout

718-970-9

Arched Bridge - Spoked Handrails



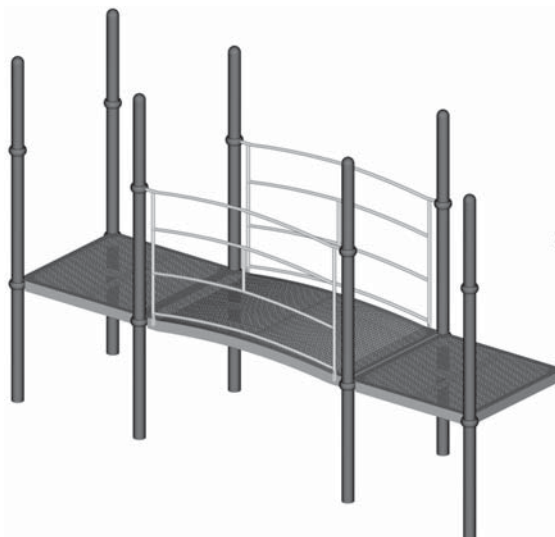
Top View



Footings Layout

718-970-59

Arched Bridge - Open Handrails





MIRACLE
RECREATION EQUIPMENT COMPANY

Tots' Choice® - Mira-Therm II

Level Ramps, 90° Level Ramps and Arched Bridges

STEP 1 INSTALL DECK SYSTEMS PER SEPARATE INSTRUCTIONS

Install Deck systems per separate instructions. Level Decks, plumb Posts, and brace in position.

Note (Model # 718-856-L9 & # 718-856-L59 only): Slide Deck Support Castings (P/N 981722; for attachment of Ramps) onto each Deck-supporting Clamp Ring prior to fastening around and to Posts. Otherwise, proper assembly will require detachment of Deck-supporting Clamps for addition of Ramp-supporting Deck Support Castings during installation.

Note (All Models): Do not pour concrete for footings or permanently secure Clamps to Posts with self-drilling screws until components illustrated in this installation guide have been installed per instructions and braced in position plumb and level.

STEP 2 ATTACH BAR SOCKETS TO CLAMPS; CLAMPS TO POSTS

Refer to *Versalok Fastening System installation* located behind *Installations 101* in Installation Manual.

Loosely affix a Bar Socket (with 1-1/16" diameter hole) to each set of Clamp Ring halves. Assemble Clamp Ring halves loosely around each Post so that bottom edge of each is 37-1/2" from top edge of Deck-supporting Clamp. It is acceptable to approximate final position of Clamps until installation of Enclosures in *Step 6*.

Tots' Choice® - Mira-Therm II
Level Ramps, 90° Level Ramps and Arched Bridges

STEP 3 SECURE RAMP TO DECKS

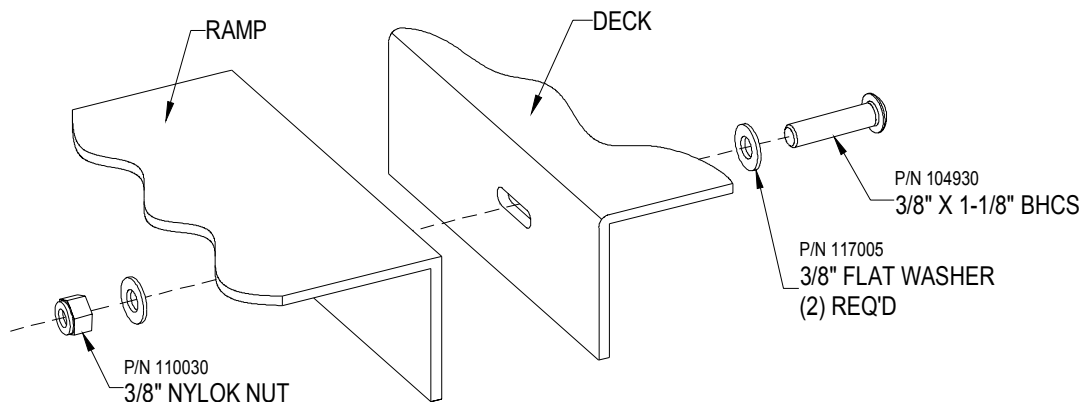
Measure or lift and position Ramp or Bridge against Decks to determine mating bolt holes. Use drill to ream excess PVC from only those holes. For 90° Level Ramps, use outer two holes and inner two holes (4 holes total) at each end.

For Model # 718-856-L9 and # 714-856-L59 only:

Refer to Versalok Fastening System installation. Secure Ramp to Deck Support Castings on four (4) Posts using 3/8" x 1-1/4" BHCS (P/N 104921) and 7/16" I.D. x 1" O.D. x 1/8" thick washer (P/N 117072SS).

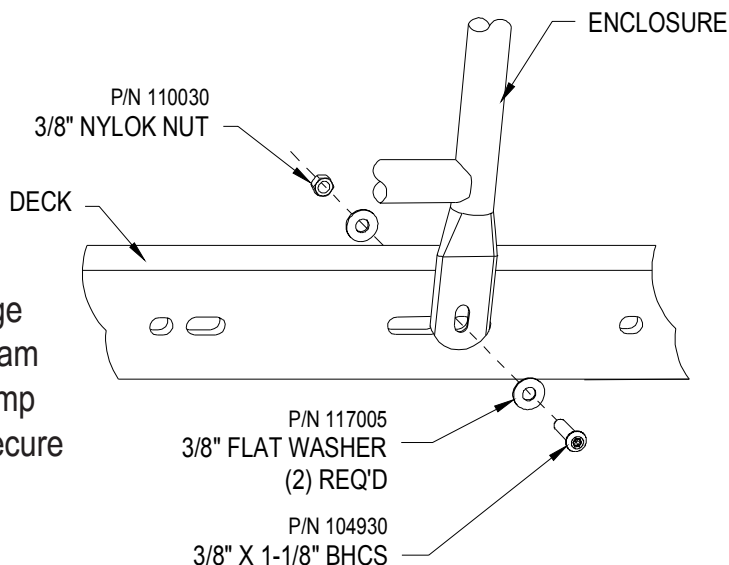
For All Models:

Secure Ramp to Decks as shown using two outer holes at each end. Level Ramp before tightening bolts; surface must be flush with adjacent Decks.



STEP 4 SECURE HANDRAILS TO RAMP OR BRIDGE

Position Handrails against Ramp or Bridge to determine mating holes. Use drill to ream excess PVC from only those holes in Ramp or Bridge face. Replace Handrails and secure to Ramp or Bridge as shown.



**MIRACLE**
RECREATION EQUIPMENT COMPANY

Tots' Choice® - Mira-Therm II

Level Ramps, 90° Level Ramps and Arched Bridges**STEP 5** ATTACH ENCLOSURES

Refer to *Versalok Fastening System installation* located behind *Installations 101* in Installation Manual. Repositioning Clamps as needed, insert ends of Enclosures' top rails into Bar Sockets. Tighten Enclosures in Bar Sockets, Bar Sockets on Clamps, and Clamp Rings around Posts.

FINAL STEP

Proceed with *Final Assembly installation* located behind *Installations 101* in Installation Manual.



MIRACLE
RECREATION EQUIPMENT COMPANY

Installation Guide

February 11, 2004

Rev. E

Tots' Choice®

Curved Loop Climbers from **5' & 6'** and **3' & 4'** Decks

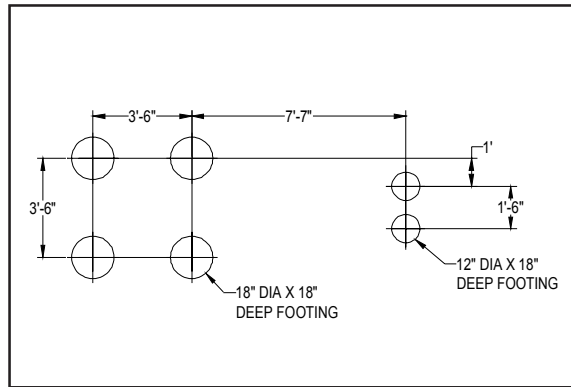
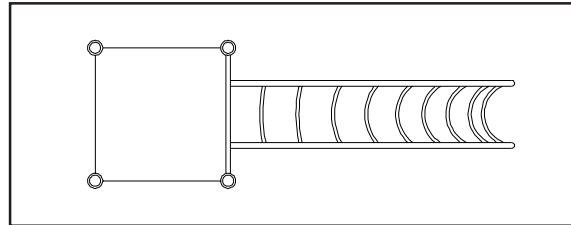
Deck system not included in these assemblies.

718-943 installed on **5' Deck**

718-968

Curved Loop Climber from 5' or 6' Deck

Top View



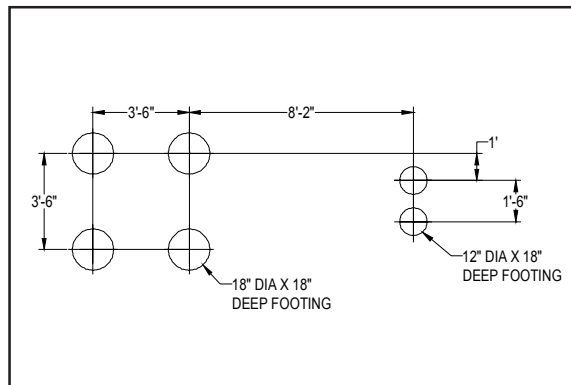
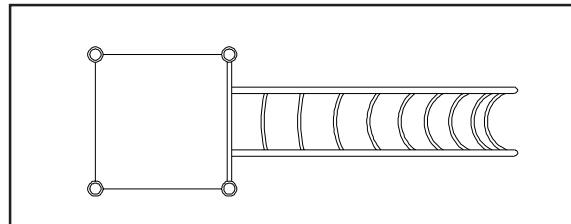
Footing Layout

718-943 installed on **6' Deck**

718-968

Curved Loop Climber from 5' or 6' Deck

Top View



Footing Layout

Curved Loop Climbers

718-943, 718-968

Tots' Choice®

Curved Loop Climbers from 5' & 6' and 3' & 4' Decks

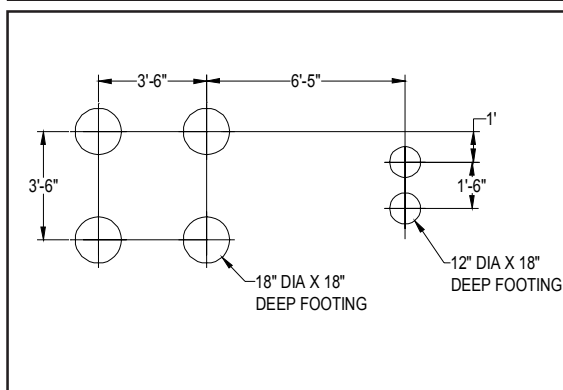
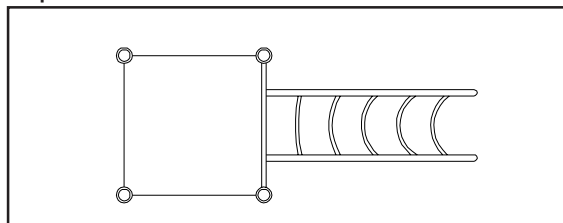
718-943

718-968 installed on 3' Deck

Curved Loop Climber from 3' or 4' Deck



Top View



Footing Layout

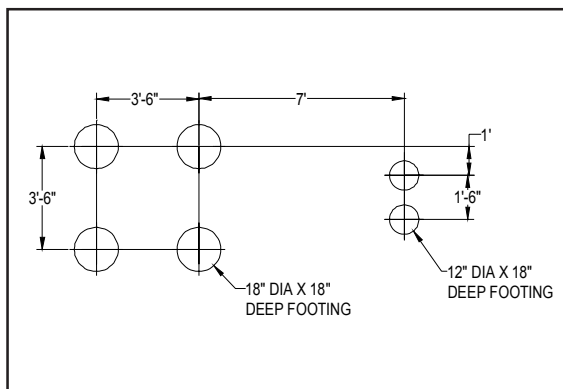
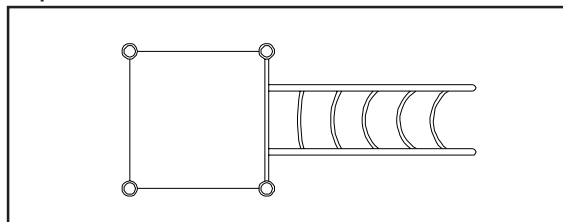
718-943

718-968 installed on 4' Deck

Curved Loop Climber from 3' or 4' Deck



Top View



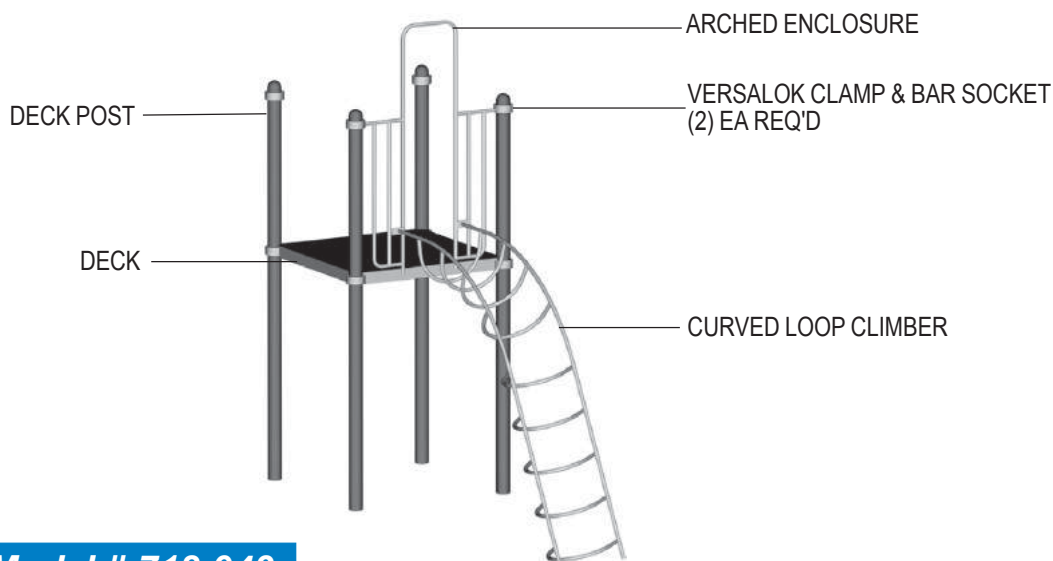
Footing Layout



Tots' Choice®

Curved Loop Climbers from 5' & 6' and 3' & 4' Decks

PARTS IDENTIFICATION



Model # 718-943

RECOMMENDED ASSEMBLY SEQUENCE

1. Deck system (per separate instructions)
2. Footings
3. Bar Sockets loosely to Clamps; Clamps loosely to Posts
4. Enclosure to Posts and to Deck
5. Climber side rails into Footings; Climber to Enclosure
6. Final Assembly

TOOLS AND EQUIPMENT REQUIRED

Also see 'Suggested Tools & Equipment' (Doc. # D70052) in "Installations 101"

1. Concrete for Footings, wheelbarrow or mixer, 5 gallon bucket, water supply
2. Digging equipment for Footings (spade shovel, post hole digger, auger)
3. Tape measure and level
4. Open end wrench set, Allen and 6-lobe wrenches or bits, socket set, screwdrivers
5. Drill, drill bits, extension cords, power supply
6. Saw or grinder (to adjust length of Climber side rails, if needed)
7. Step ladder
8. Adult installers - 2 minimum

Tots' Choice®

Curved Loop Climbers from 5' & 6' and 3' & 4' Decks

STEP 1

Read **Safety Brochure 100, Important Notes**, these instructions, and other enclosed materials. Unpack, count, and become familiar with system components and hardware.

STEP 2

Install Deck system per separate instructions. Plumb, level, and brace in position.

STEP 3

Dig Footings per *Footing Layout* or Construction Drawings. Refer to **Footing Details installation**.

Note: Do not pour concrete for Footings or permanently secure Clamps to Posts with self-drilling screws, until all components in system have been installed per instructions and braced in position level and plumb.

STEP 4

Refer to **Versalok Fastening System installation**.

Slide a Bar Socket (with 1-1/16" diameter hole; P/N 981721) onto each set of Clamp Ring halves. Loosely assemble Clamp Rings around Posts so that bottom edge of each Clamp is **37-1/2"** from top edge of Deck-supporting Clamp.

Position Enclosure against Deck to locate mating bolt holes. Use drill to ream excess PVC from only those holes in Deck.

Assemble Enclosure top rails in Bar Sockets on Clamps.

Note: Welded brackets on Enclosure must be located outside (away from Deck.)



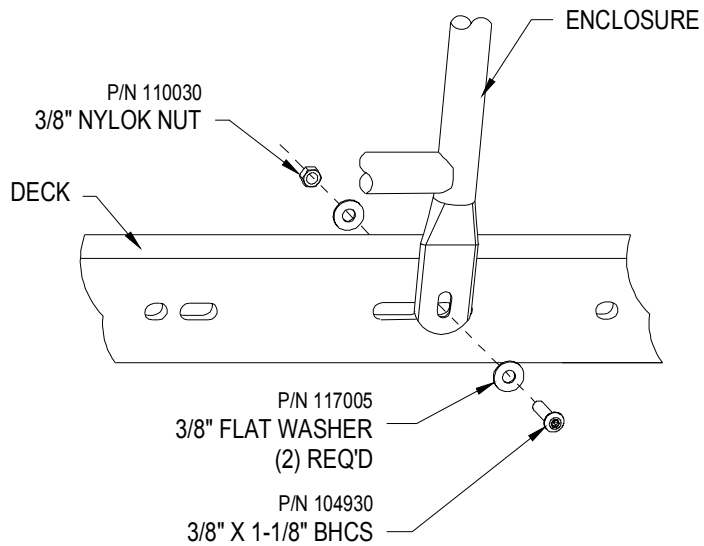
Tots' Choice®

Curved Loop Climbers from 5' & 6' and 3' & 4' Decks

STEP 5

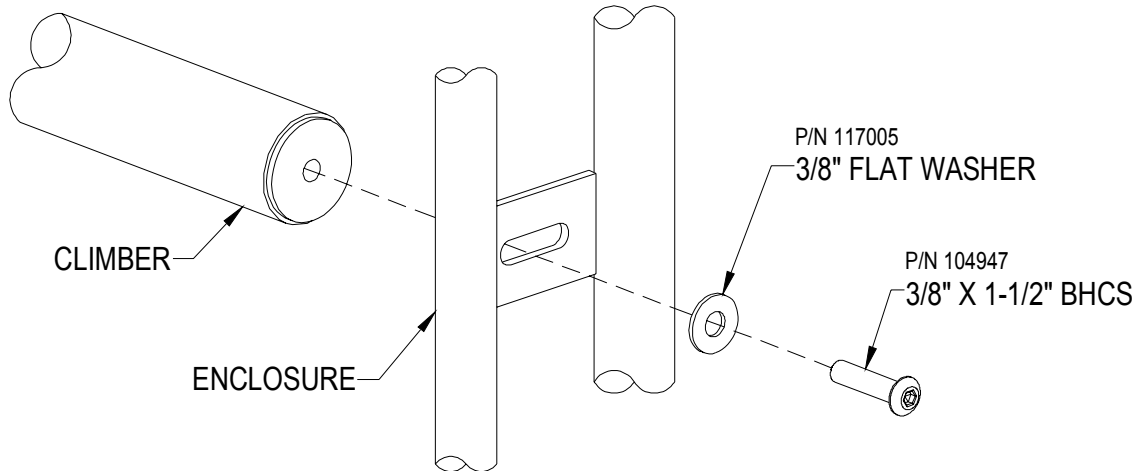
Note: Welded brackets on Enclosure must be located outside (away from Deck.)

Secure Enclosure braces to Deck as shown.



STEP 6

Place Climber rails into Footings. Attach Climber rails to Enclosure's welded brackets.



FINAL STEP

Proceed with **Final Assembly installation.**

Curved Loop Climbers

718-943, 718-968



Installation Guide

Tots' Choice®

Delight-O-Scope Telescope & Binoculars

Freestanding & Deck Post Mounting

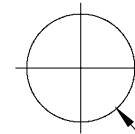
718-961-1

718-961-P1

718-961-2

718-961-P2

Delight-O-Scope Telescope, Freestanding Top View



18" DIA. X 18" DEEP FOOTING

Footing Layout

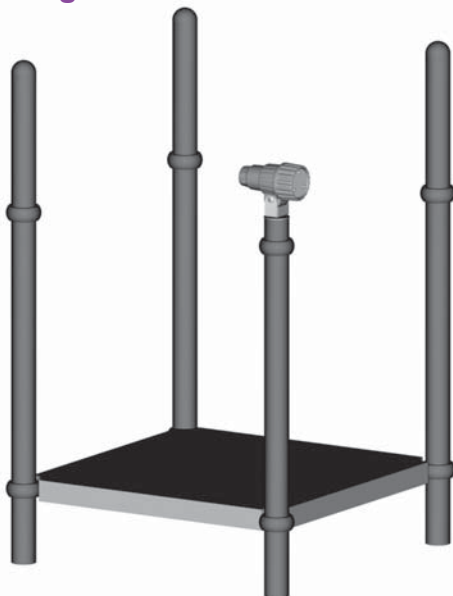
718-961-1

718-961-P1

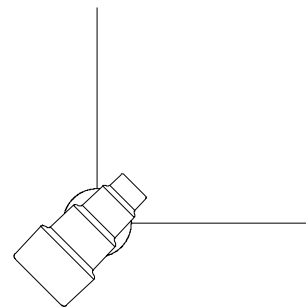
718-961-2

718-961-P2

Delight-O-Scope Telescope, Deck Post Mounting



Top View



Footing Layout not shown. Model mounts atop a Deck Post.

Footing Layout

Delight-O-Scope Telescope & Binoculars

718-961-1, 718-961-P1, 718-961-2, 718-961-P2

Delight-O-Scope Telescope & Binoculars

Tots' Choice®

Delight-O-Scope Telescope & Binoculars

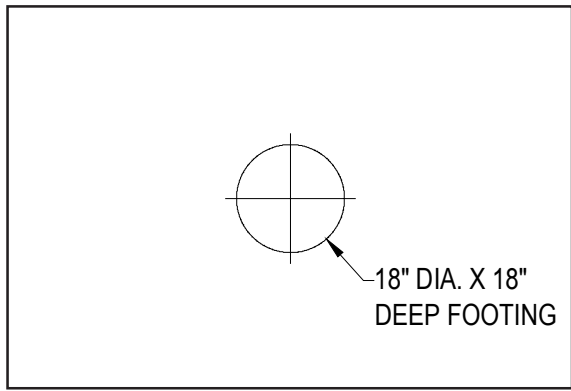
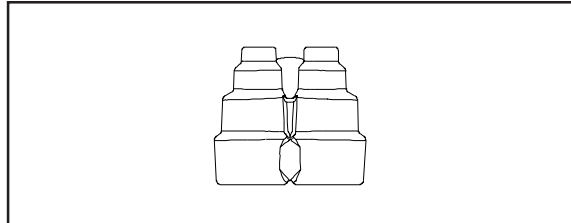
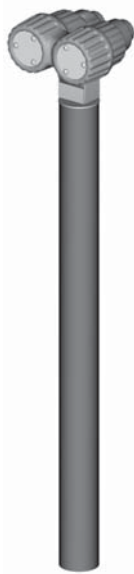
718-961-1

718-961-P1

718-961-2

718-961-P2

Delight-O-Scope Binoculars, Freestanding Top View



Footing Layout

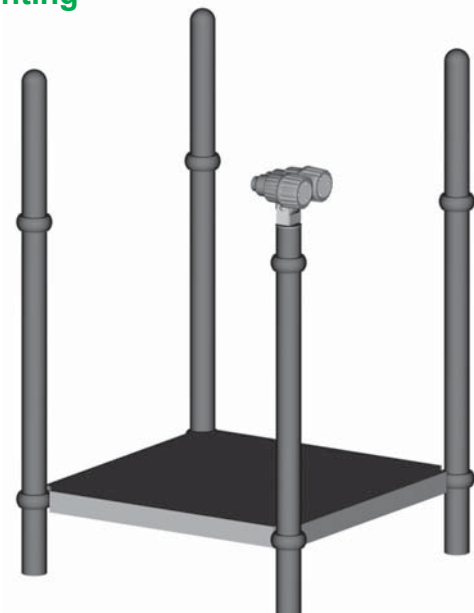
718-961-1

718-961-P1

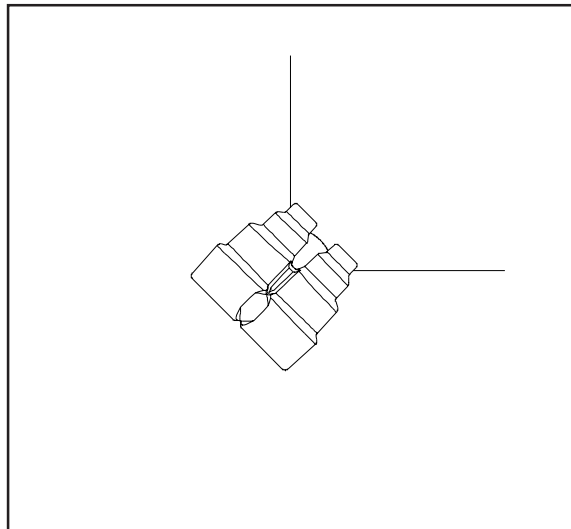
718-961-2

718-961-P2

Delight-O-Scope Binoculars, Deck Post Mounting



Top View



Footing Layout not shown. Model mounts atop a Deck Post.

Footing Layout

718-961-1, 718-961-P1, 718-961-2, 718-961-P2



Tots' Choice®
Delight-O-Scope Telescope & Binoculars

RECOMMENDED ASSEMBLY SEQUENCE

Freestanding Models

- 1. Footing Instructions p. 4
- 2. Delight-O-Scope model in Post end
- 3. Assembly into Footing
- 4. Final Assembly

Deck Post Mounting Models (New Installation)

- 1. Remove Post end cap and cut Post, if necessary Instructions p. 5
- 2. Deck system (per separate instructions)
- 3. Delight-O-Scope model in Post end
- 4. Remaining components to Deck system
- 5. Final Assembly

Deck Post Mounting Models (Retrofit)

- 1. Remove Post end cap or cut Post, if necessary Instructions p. 7
- 2. Remove self-drilling screws from existing Clamp
- 3. Delight-O-Scope model in Post end
- 4. Replace screws through Clamp, Post and Delight-O-Scope
- 5. Final Assembly

TOOLS AND EQUIPMENT REQUIRED

Also see 'Suggested Tools & Equipment' (Doc. # D70052) in "Installations 101"

- 1. Concrete for Footings, wheelbarrow or mixer, 5 gallon bucket, water supply
- 2. Digging equipment for Footings (spade shovel, post hole digger, auger)
- 3. Bracing materials (2x4s, wood pieces, concrete blocks, bricks, jack stands, sawhorses, etc.)
- 4. Tape measure and level
- 5. Open end wrench set, Allen and 6-lobe wrenches or bits, socket set, screwdrivers
- 6. Drill, bits, extension cords, power supply
- 7. Rubber mallet
- 8. Hammer with cold chisel or large screwdriver (or drill) for Post end cap removal
- 9. Saw and grinder for cutting and smoothing (if Post height adjustment is necessary)
- 10. Adult installer

Delight-O-Scope Telescope & Binoculars

718-961-1, 718-961-P1, 718-961-2, 718-961-P2

Tots' Choice®

Delight-O-Scope Telescope & Binoculars**Freestanding Models Installation****STEP 1**

Read *Safety Brochure 100, Important Notes*, these instructions, and other enclosed materials. Unpack, count, and become familiar with system components and hardware.

STEP 2

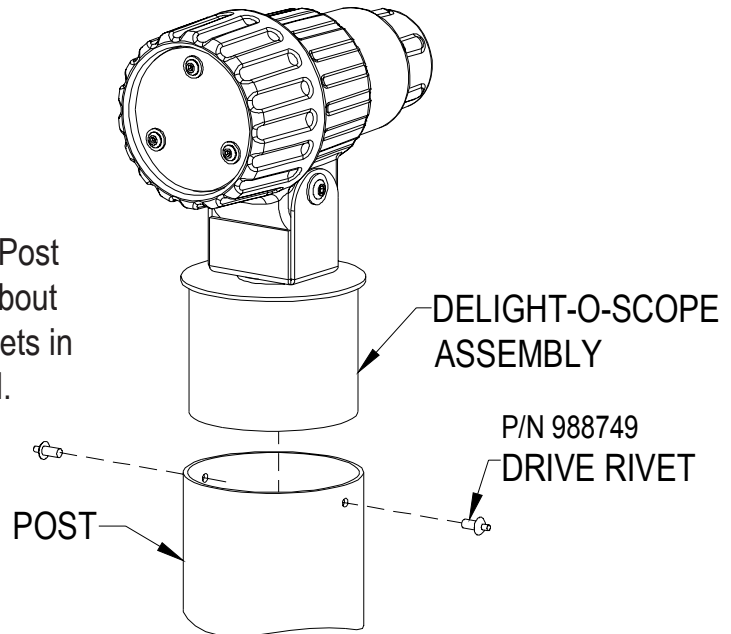
Locate, mark and dig footing hole per *Footing Layout, Construction Drawings, and Footing Details installations*.

STEP 3

Insert Delight-O-Scope model in Post's top end. Tap gently with rubber mallet to fully seat.

STEP 4

Drill two 1/4" holes in opposite sides of Post (and through) Delight-O-Scope model about 1" from end of Post. Fully seat drive rivets in holes and strike with hammer to expand.

**STEP 5**

Set Assembly into footing and verify correct height. Plumb, level and brace in position.

FINAL STEP

Proceed with *Final Assembly installation*.



Tots' Choice®

Delight-O-Scope Telescope & Binoculars

Deck Post Mounting Models (New Installation)

STEP 1

Read *Safety Brochure 100, Important Notes*, these instructions, and other enclosed materials. Unpack, count, and become familiar with system components and hardware.

STEP 2

Select Deck Post to receive Delight-O-Scope model, as specified in Construction Drawing. Use hammer and cold chisel (or large screw driver, and drill if necessary) to remove rounded end cap from top of Post.

STEP 3

Ideal Post length for Delight-O-Scope assembly is the sum of the intended Deck height plus 70½" (e.g. 94½" for a 2' Deck), though a variance of ½" is acceptable. If Post length is such, skip to *Step 4*. Otherwise, length adjustment is recommended per options below.

Option #1 (Adjust Post length *before* installing with Deck)

Measure Post from bottom to find proper location for cut. Mark Post at intended Deck height plus 70½". (The 70½" includes an 18" length of Post beneath sub-grade, 12" protective surfacing, typical (approximate) enclosure mounting height of 39" from Deck to Clamp top, and 1½" between Clamp top and Post top without end cap.) Cut Post at mark and grind smooth, then install Post with Deck system per separate instructions.

Option #2 (Adjust Post length *after* installing with Deck)

Install Deck system per separate instructions. Plumb, level and brace in position.

Refer to *Versalok Fastening System installation*. Set Clamp height on Post per component instructions and positioning of components. Assemble Clamp Ring halves together around Post at proper location, without installing self-drilling screws in Post. Mark Post at 1" to 2" (maximum) from top of Clamp. Cut Post at mark and grind smooth.

Note: Some components are designed to mount at higher than standard location on Posts. Therefore, it is important to reference each Post-sharing component's Installation Guide and position components to determine proper Clamp heights prior to cutting Post!

Tots' Choice® Delight-O-Scope Telescope & Binoculars

STEP 4

Refer to *Versalok Fastening System installation* and *Step 5 illustration* below.

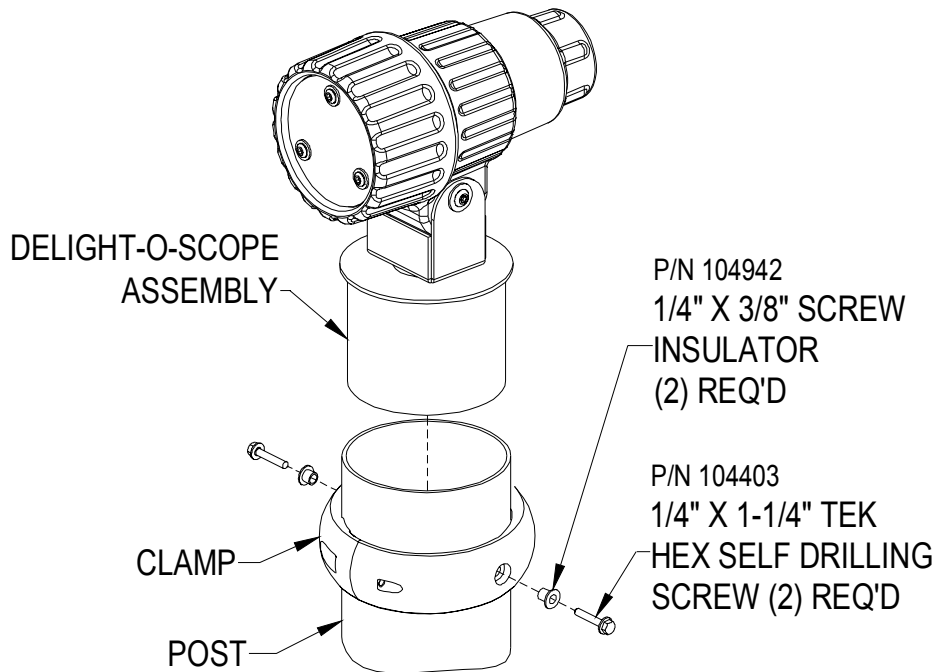
Verify that correct height and orientation of Clamp are set (regardless whether adjacent components are connected to Clamp.) At center hole in each Clamp Ring half, drill 1/4" hole through Post. These drilled holes are necessary, because self-drilling screws sometimes strip or break when being installed through two steel surfaces.

STEP 5

Refer to *Versalok Fastening System installation*.

Insert Delight-O-Scope model in Post's top end. Tap gently with rubber mallet to fully seat.

Install 1/4" x 1-1/4" tek hex head self-drilling screws with screw insulators as detailed in Clamp instructions, securing Clamp Ring to Post and Delight-O-Scope inside.



FINAL STEP

Proceed with *Final Assembly installation*.



Tots' Choice®
Delight-O-Scope Telescope & Binoculars

Deck Post Mounting Models (Retrofit)

STEP 1

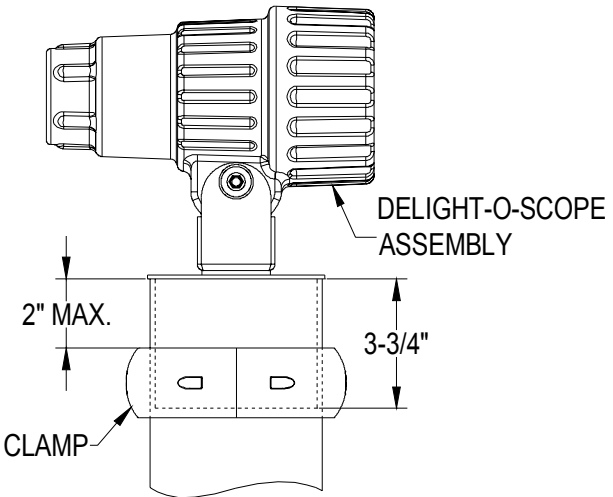
Read *Safety Brochure 100, Important Notes*, these instructions, and other enclosed materials. Unpack, count, and become familiar with system components and hardware.

STEP 2

Measure distance between top edge of highest Clamp and end of Post, before end cap.

If distance is 2" or less, proceed to *Step 3*.

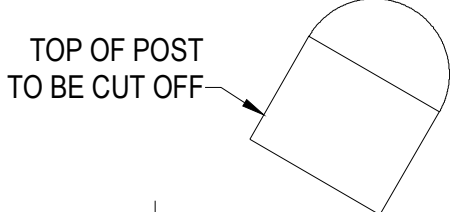
If distance is greater than 2", skip to *Step 4*.



Note: If installing atop Post at height greater than 3-3/4" from Clamp top, follow instructions for Freestanding Models installation on Page 4.

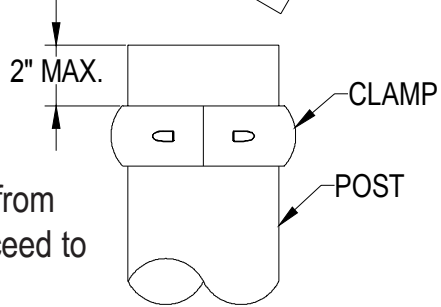
STEP 3

Remove rounded end cap from top of target Post by drilling out rivets (if present) or tapping around bottom edge with cold chisel and hammer (or large screwdriver.) Skip to *Step 5* on next page.



STEP 4

Mark and cut Post at 2" or less from top edge of highest Clamp. Proceed to *Step 5*.



Delight-O-Scope Telescope & Binoculars

718-961-1, 718-961-P1, 718-961-2, 718-961-P2

Tots' Choice® Delight-O-Scope Telescope & Binoculars

STEP 5

Refer to *Versalok Fastening System installation*. Remove both self-drilling screws from Clamp Ring and Post. Drill out holes with 1/4" bit to allow self-drillers, when replaced, to go smoothly into Delight-O-Scope assembly.

Note: It may be necessary to disassemble Bar Sockets or other support castings to gain access to self-drilling screws in Clamps.

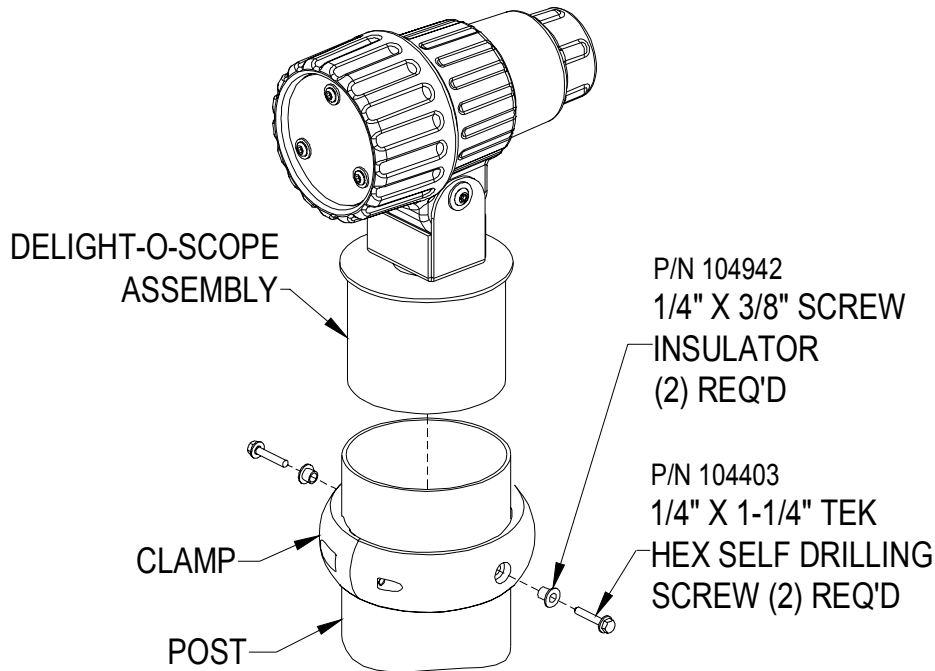
STEP 6

Insert Delight-O-Scope model in Post's top end. Tap gently with rubber mallet to fully seat.

STEP 7

Refer to *Versalok Fastening System installation*.

Align bolt holes in Clamp Ring with holes previously drilled in Post with self-drilling screws. Replace 1/4" x 1-1/4" tek hex head self-drilling screws with screw insulators as detailed in Clamp instructions, securing Clamp Ring to Post and Delight-O-Scope inside.



FINAL STEP

Proceed with *Final Assembly installation*.



Installation Guide

April 15, 2005

Rev. K

MIRACLE
RECREATION EQUIPMENT COMPANY

Tots' Choice®

Cargo Climbers for 5', 3' and 4' Decks, with and without Handholds

Deck systems not included in these assemblies.

718-995

718-995-1

718-996

718-996-1

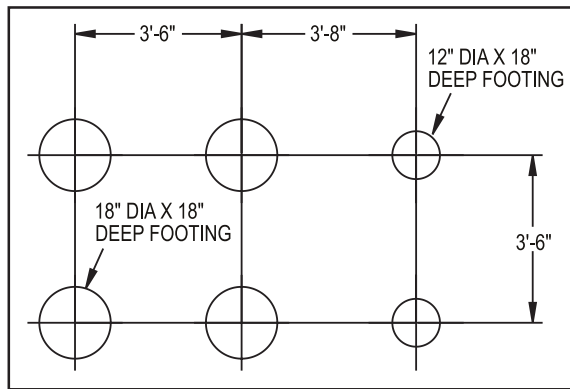
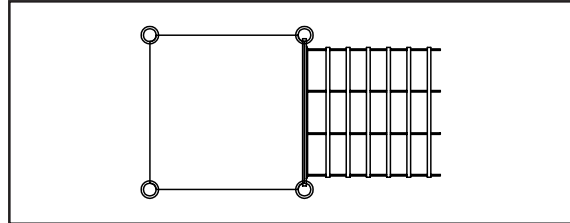
718-997

718-997-1

Cargo Climber for 5' Deck



Top View



Footing Layout

718-995

718-995-1

718-996

718-996-1

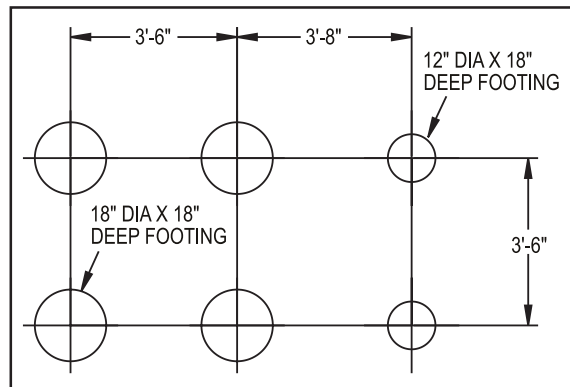
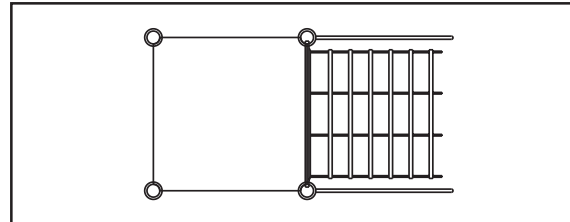
718-997

718-997-1

Cargo Climber with Handhold for 5' Deck



Top View



Footing Layout

Cargo Climbers

718-995, 718-995-1, 718-996, 718-996-1, 718-997, 718-997-1

Tots' Choice® Cargo Climbers

718-995

718-995-1

718-996

718-996-1

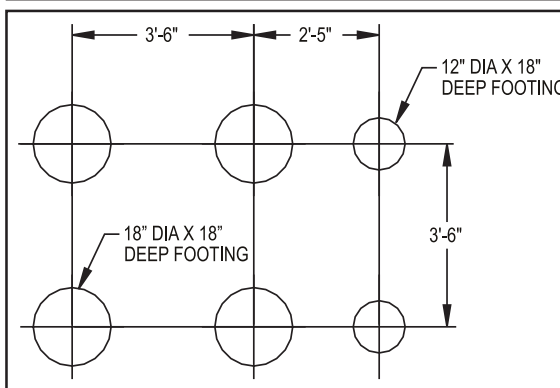
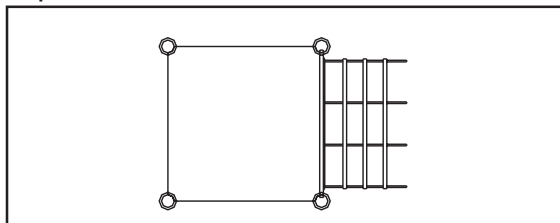
718-997

718-997-1

Cargo Climber for 3' Deck



Top View



Footing Layout

718-995

718-995-1

718-996

718-996-1

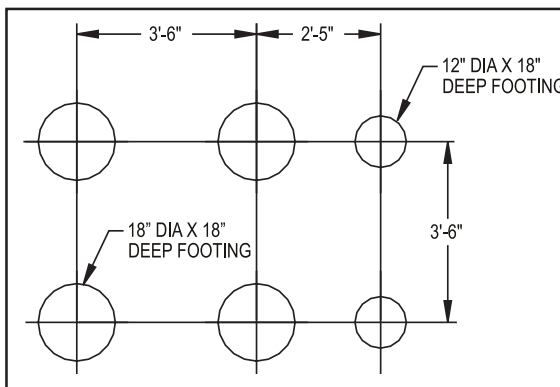
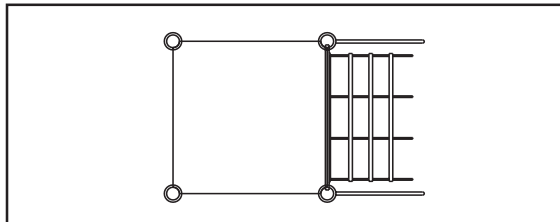
718-997

718-997-1

Cargo Climber with Handhold for 3' Deck



Top View



Footing Layout

718-995, 718-995-1, 718-996, 718-996-1, 718-997, 718-997-1



Tots' Choice®
Cargo Climbers

718-995

718-995-1

718-996

718-996-1

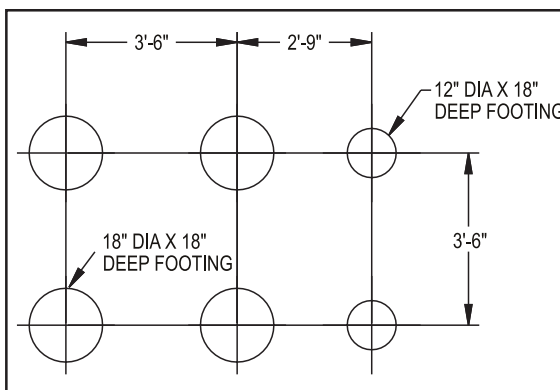
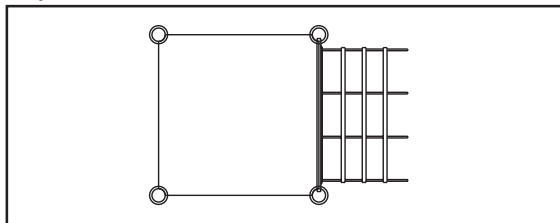
718-997

718-997-1

Cargo Climber for 4' Deck



Top View



Footing Layout

718-995

718-995-1

718-996

718-996-1

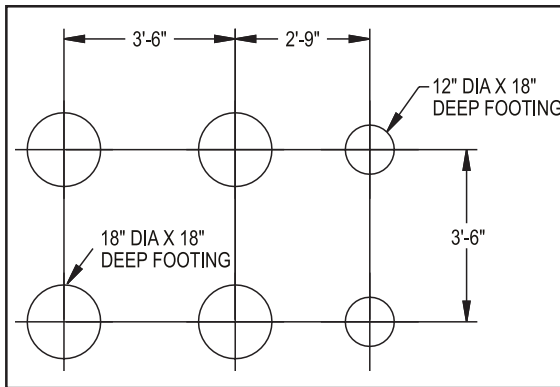
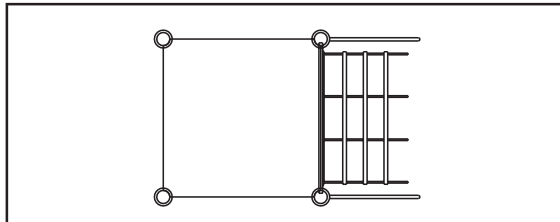
718-997

718-997-1

Cargo Climber with Handhold for 4' Deck



Top View



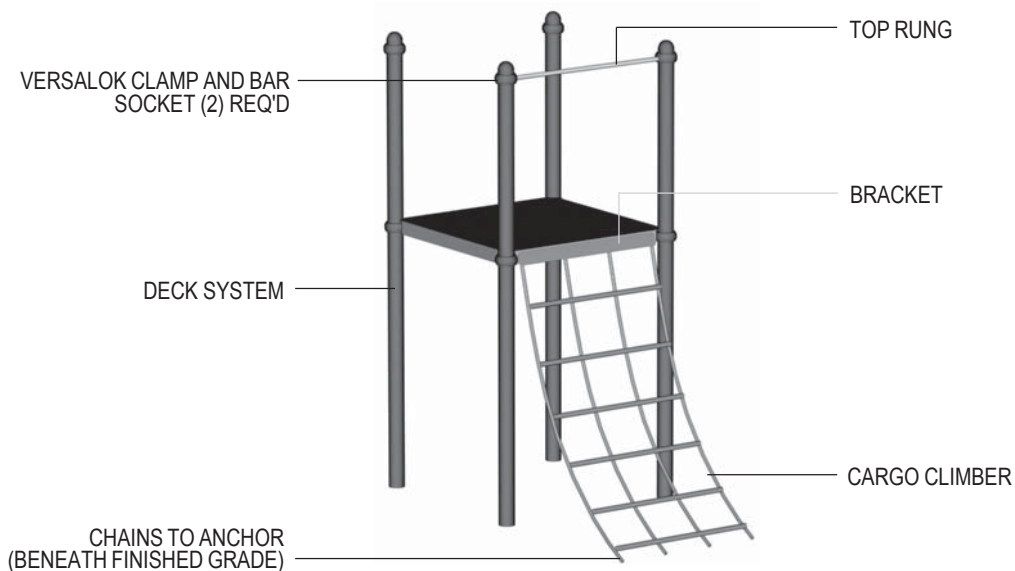
Footing Layout

Cargo Climbers

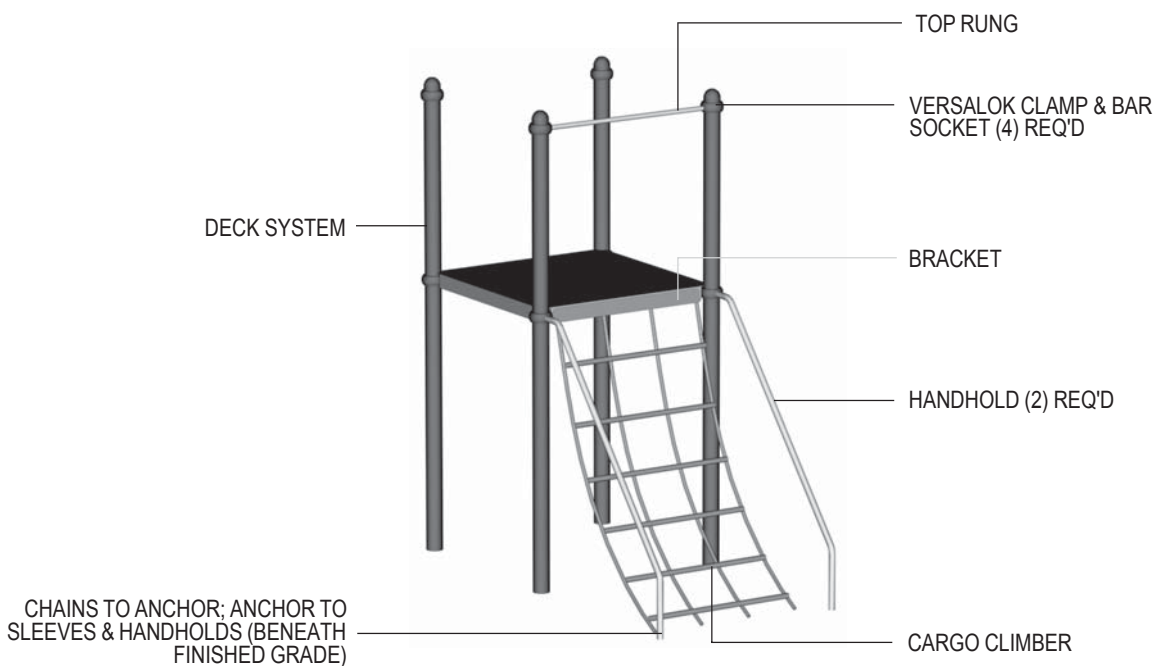
718-995, 718-995-1, 718-996, 718-996-1, 718-997, 718-997-1

Tots' Choice® Cargo Climbers

PARTS IDENTIFICATION - Models *WITHOUT* Handholds



PARTS IDENTIFICATION - Models *WITH* Handholds





Tots' Choice®
Cargo Climbers

RECOMMENDED ASSEMBLY SEQUENCE

1. Deck system (per separate instructions)
2. Footings
3. Bar Sockets and Clamps loosely to Deck Posts
4. Top Rung to Posts (via Clamps)
5. Cargo Climber Bracket to Deck
6. Cargo Climber Chains to Anchor; close S-hooks
7. *For Model # 718-995-1, # 718-996-1, or # 718-997-1 (Models WITH Handholds) only: Handholds into footings, to Posts (via Clamps)*
8. *For Model # 718-995-1, # 718-996-1, or # 718-997-1 (Models WITH Handholds) only: Handholds and Sleeves to Anchor*
9. *For Model # 718-995, # 718-996, or # 718-997 (Models WITHOUT Handholds) only: Anchor into footings; block or stake for tension*
10. Final Assembly

TOOLS AND EQUIPMENT REQUIRED

Also see 'Suggested Tools & Equipment' (Doc. # D70052) in "Installations 101"

1. Concrete for footings, wheelbarrow or mixer, 5 gallon bucket, water supply
2. Digging equipment for footings (spade shovel, post hole digger, auger)
3. Bracing materials (2x4s, wood pieces, jack stands, sawhorses, concrete blocks, bricks, etc.)
4. Tape measure and level
5. Open end wrench set, Allen and 6-lobe wrenches or bits, socket set, screwdrivers
6. Drill, 5/16" drill bit or larger, extension cords, power supply
7. S-hook pliers
8. Adult installers - 2 minimum

Tots' Choice® Cargo Climbers

STEP 1

Read *Important Notes, Safety Brochure 100*, these instructions, and other enclosed materials. Unpack, count, and become familiar with system components and hardware.

STEP 2

Install Deck system per separate instructions. Plumb, level, and brace in position.

Note: Do not pour concrete for footings, or permanently secure Clamps to Posts with self-drilling screws, until all components in system have been installed per instructions and braced in position level and plumb.

STEP 3

Dig footings per *Footing Layout, Construction Drawings, and Footing Details installation*.

STEP 4

Refer to *Versalok Fastening System installation*.

For All Models:

Loosely affix two (2) Bar Sockets (with 1-1/16" dia. hole), to fit Top Rung, on upper Clamps of adjacent components.

*For Model # 718-995-1, # 718-996-1, and # 718-997-1 (Models WITH Handholds) only:
Loosely affix two (2) Bar Sockets (with 1-3/8" dia. hole), to fit Cargo Climber Handholds, on Deck-supporting Clamps.*

STEP 5

Refer to *Versalok Fastening System installation*. Place ends of Top Rung in Bar Sockets on Clamps of adjacent components. Verify that Rung is level and tighten in Bar Sockets, Bar Sockets on Clamps, and Clamp Rings around Posts.



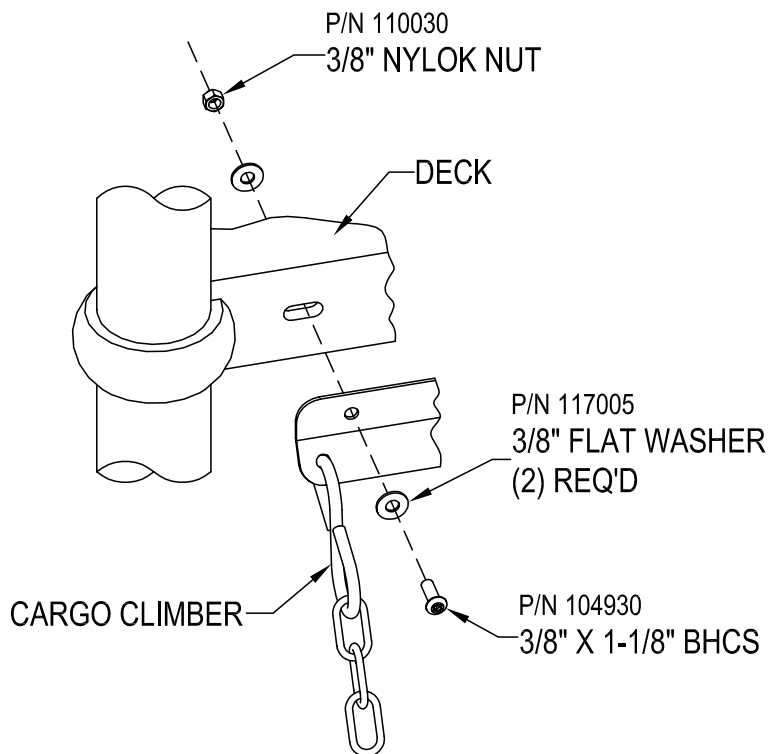
Tots' Choice®
Cargo Climbers

STEP 6

Mate holes of Bracket at top of Cargo Climber with bolt holes in Deck face. Use drill to ream excess PVC from only those holes in Deck and in Bracket.

STEP 7

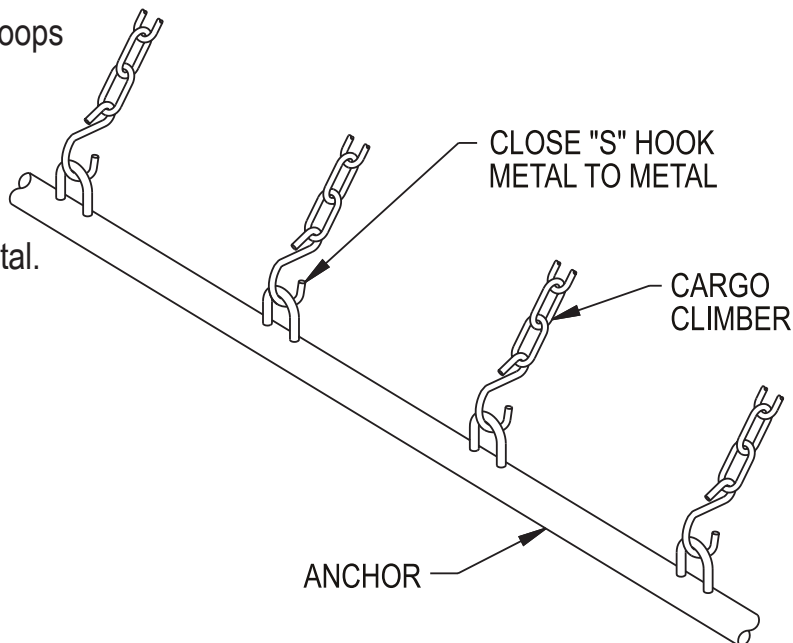
Secure Cargo Climber Bracket to Deck as shown.



STEP 8

Set Anchor in footings with welded loops pointing toward Deck.

Attach S-hooks at bottom ends of Cargo Climber Chains to loops on Anchor. Close S-hooks metal-to-metal.



Cargo Climbers

718-995, 718-995-1, 718-996, 718-996-1, 718-997, 718-997-1

Tots' Choice® Cargo Climbers

STEP 9

For *Model # 718-995-1, # 718-996-1, and # 718-997-1 (Models WITH Handholds) only:*

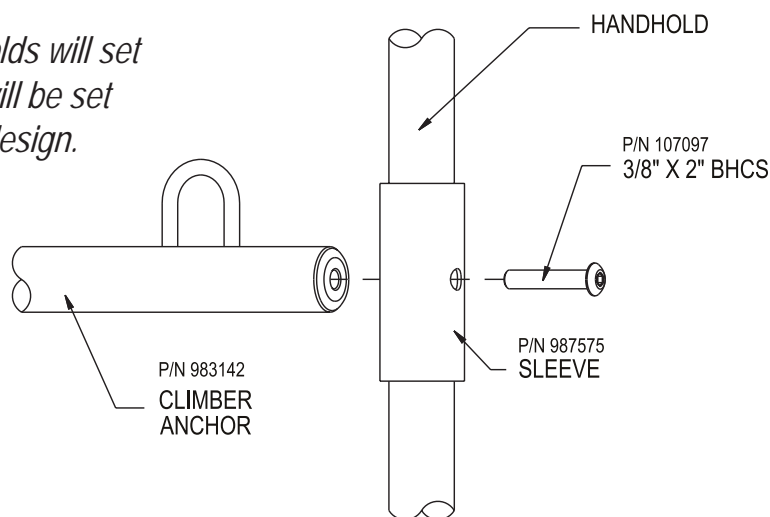
Refer to *Versalok Fastening System* installation. Set Handholds into footings, and into Bar Sockets on Deck-supporting Clamps. Secure into Bar Sockets on Posts.

STEP 10

For *Model # 718-995-1, # 718-996-1, and # 718-997-1 (Models WITH Handholds) only:*

Extend Cargo Climber and Anchor as needed to align with holes in Handholds. Bolt through Sleeves and Handholds into threaded inserts in Anchor and tighten securely.

Attaching Climber to Handholds will set necessary tension. Anchor will be set beneath finished grade per design.



STEP 11

For *Model # 718-995, # 718-996, and # 718-997 (Models WITHOUT Handholds) only:*

Extend Cargo Climber and Anchor away from Deck until desired tension is reached, accounting for location of finished grade. Block or stake Anchor at this location in footings.

FINAL STEP

Proceed with *Final Assembly* installation.

Note: When pouring footings, **DO NOT** allow concrete on S-hooks.

Risk Management Sign

IMPORTANT! The Risk Management Sign is to be installed outside the defined play area and play equipment use zones. It needs to be oriented so that the **front side faces the main entrance to the playground** and next to but not interfering with the accessible route that leads to the play space.

Models included in this installation guide:

<u>MODEL</u>	<u>DESCRIPTION</u>
787	Risk Management Sign - English
787FR	Risk Management Sign - French
787SP	Risk Management Sign - Spanish



Note: English version shown.

Risk Management Sign

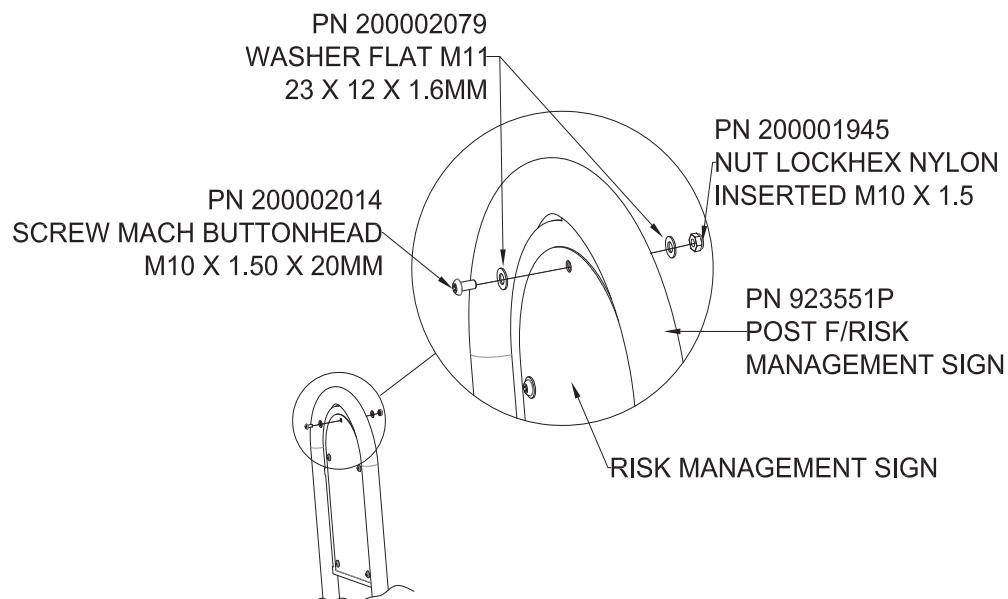
STEP 1 ATTACH AGE-APPROPRIATE STICKER

1a. Attach age-appropriate sticker to sign, in location, as shown below.



STEP 2 ATTACH SIGN TO POST FRAME

2a. Attach sign as shown below, in five (5) locations.

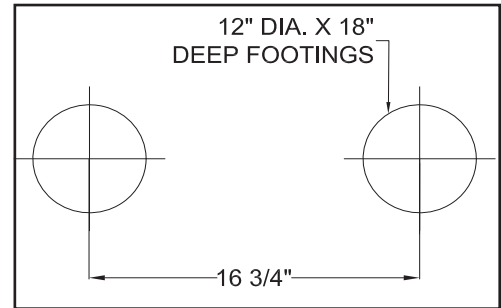


Risk Management Sign

STEP 3 DIG FOOTINGS

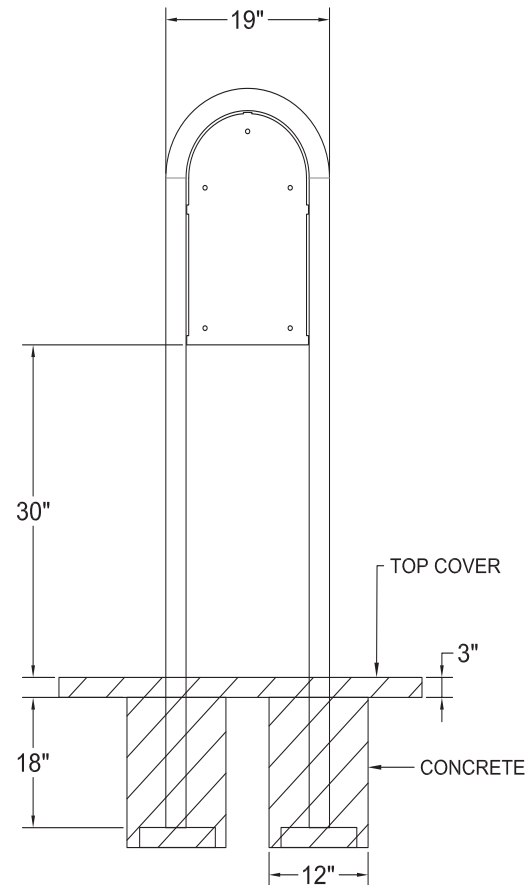
3a. Dig footings per *Footing Layouts*, *Construction Drawings*, and *Footing Details installation*.

Note: Do not pour concrete for footings until components illustrated in this installation guide have been installed per instructions and braced in position, leveled and plumbed.



STEP 4 SET SIGN IN FOOTINGS

- 4a. Place a brick in the bottom of each hole so the sign will rest on the brick when inserted.
- 4b. Set risk management sign in footings per *Construction Drawings* pour concrete; plumb sign in footings and brace in position until concrete is cured.



FINAL STEP

Proceed with *Final Assembly installation* located behind *Installations 101* in *Installation Manual*.

Risk Management Sign

Bill of Material

Model 787

<u>QTY</u>	<u>PART</u>	<u>DESCRIPTION</u>
1	923551P	POST F/RISK MANAGEMENT SIGN
1	923560	PC F/787 RISK MNGMT ENGLISH

Parts Carton 923560

1	923287	RISK MNGT SIGN PRINTED ENGLISH
1	HW923551-1	HRDW PKG RISK MANAGEMENT SIGN S1/1

HW923551-1

<u>QTY</u>	<u>PART</u>	<u>DESCRIPTION</u>
5	200002014	SCREW MACH BUTTONHEAD M10 X 1.50 X 20MM
10	200002079	WASHER FLAT M11 23 X 12 X 1.6MM
5	200001945	NUT LOCK HEX NYLON INSERTED M10 X 1.5

Model 787FR

<u>QTY</u>	<u>PART</u>	<u>DESCRIPTION</u>
1	923551P	POST F/RISK MANAGEMENT SIGN
1	923558	PC F/787FR RISK MNGMT FRENCH

Parts Carton 923558

1	923288	RISK MNGT SIGN PRINTED ENGLISH
1	HW923551-1	HRDW PKG RISK MANAGEMENT SIGN S1/1

HW923551-1

<u>QTY</u>	<u>PART</u>	<u>DESCRIPTION</u>
5	200002014	SCREW MACH BUTTONHEAD M10 X 1.50 X 20MM
10	200002079	WASHER FLAT M11 23 X 12 X 1.6MM
5	200001945	NUT LOCK HEX NYLON INSERTED M10 X 1.5

Model 787SP

<u>QTY</u>	<u>PART</u>	<u>DESCRIPTION</u>
1	923551P	POST F/RISK MANAGEMENT SIGN
1	923559	PC F/787SP RISK MNGMT SPANISH

Parts Carton 923559

1	923289	RISK MNGT SIGN PRINTED SPANISH
1	HW923551-1	HRDW PKG RISK MANAGEMENT SIGN S1/1

HW923551-1

<u>QTY</u>	<u>PART</u>	<u>DESCRIPTION</u>
5	200002014	SCREW MACH BUTTONHEAD M10 X 1.50 X 20MM
10	200002079	WASHER FLAT M11 23 X 12 X 1.6MM
5	200001945	NUT LOCK HEX NYLON INSERTED M10 X 1.5



Installation Guide

June 4, 2001 Rev. C

MIRACLE
RECREATION EQUIPMENT COMPANY

Final Assembly

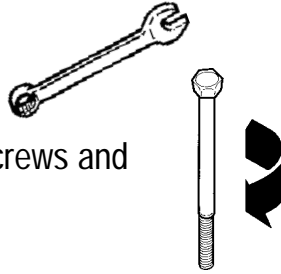
Kids' Choice, Tots' Choice, Center Stage, and City Parks Series Deck Systems & Misc.

STEP 1

Plumb and level assemblies. 

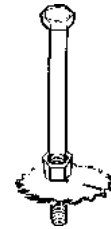
STEP 2

Secure Clamps to Posts with self-drilling screws and tighten all fasteners.



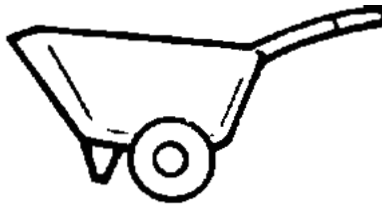
STEP 3

Trim all bolts. No more than two (2) threads may protrude after trimming by installer. Peen ends smooth to touch.



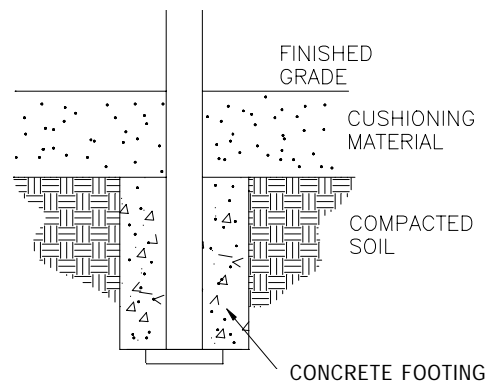
STEP 4

Pour concrete in remaining Footings, and allow 72 hours to cure.



STEP 5

Install cushioning material (protective surfacing) in, around and beneath areas required for unit.



STEP 6

Apply *Warning* and *Manufacturer's I.D.* labels, and *Age Appropriate* labels if included. Refer to *Installations 101*.

FINAL STEP

Establish and adhere to a regular maintenance schedule, checking for loose or missing bolts, worn parts, etc.



Final Assembly

714, 718, ...



Installation Guide

June 4, 2001 Rev. A

MIRACLE
RECREATION EQUIPMENT COMPANY

Final Assembly

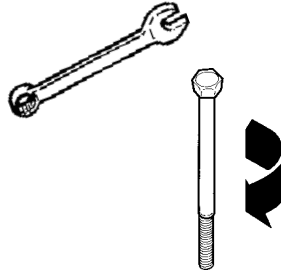
Miscellaneous Freestanding Play Equipment and Non-Play Equipment

STEP 1

Plumb and level assemblies. 

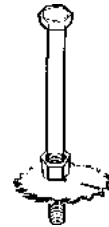
STEP 2

Tighten all fasteners.



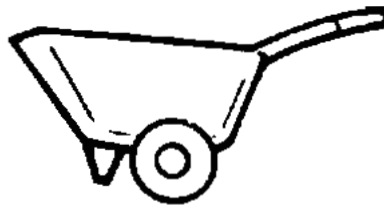
STEP 3

Trim all bolts. No more than two (2) threads may protrude after trimming by installer. Peen ends smooth to touch.



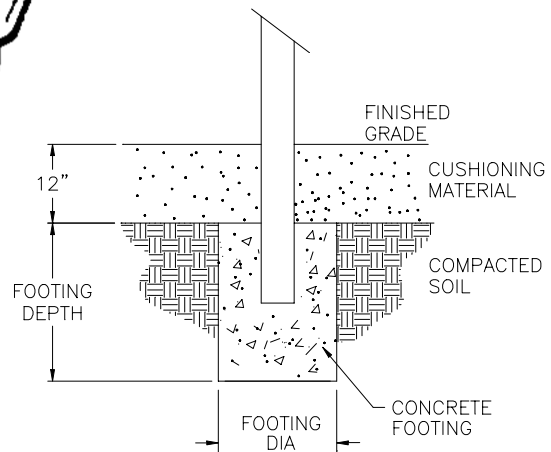
STEP 4

Pour concrete in remaining Footings, and allow 72 hours to cure.



STEP 5

If applicable, install cushioning material (protective surfacing) in, around, and beneath areas required for unit.



STEP 6

If applicable, apply *Age Appropriate*, *Warning*, and *Manufacturer's I.D.* labels. Refer to *Installations 101*.

FINAL STEP

Establish and adhere to a regular maintenance schedule, checking for loose or missing bolts, worn parts, etc.



Final Assembly

Freestanding Play and Non-Play Equipment

Bill of Materials (Parts List)

8/28/2018 1:27:40 PM

Work Order: MR00112258

Cust #: 9450L05

W. O. Page 1 of 7

YOLO, COUNTY OF
137 N COTTONWOOD
WOODLAND, CA 95695

* Model
** Component

Qty		Model/Component	Description
1	*	7147342	PANEL SAFETY AGES 2-12
2	**	111226BLU	POST-SAFETY SIGN 2 3/8 OD X 73" LONG
1	**	986570	PARTS CARTON SAFETY PANEL
1		HW986570-1	HRDW PKG SAFETY PANEL S1/1
1	**	998212BEI	SAFETY PANEL AGES 2-12
1	*	7185019	DECK TRIANGLE ATTACHES TO 3 POSTS MT II
2	**	912254BEI	3.5" TC (6) 1/2 CLAMPS 1/1
2		HW912254-1	HRDW PKG 3.5 TC 3 S1/1
12		983856BEI	CLAMP RING 3.5 DIA
1	**	982072	PARTS CARTON 718-501
1		116021	LABEL MIRACLE ID - GENERIC
1		116022	LABEL WARNING - PLAYGROUND - ENGLISH
1		116039	LABEL MIRACLE ID - TOTS' CHOICE
1		116099	LABEL, PLAY SMART RULES
1		HW982072-1	HRDW PKG DK SPT S1/1
3		713550	STICKER TOP OF SURFACING
3		981722	DECK SUPPORT 3.5" OD TUBE
1	**	988135BE	TC -TRIANGULAR DECK FPS BE
2	*	7185029	DECK SQUARE ATTACHES TO 4 POSTS MT II
4	**	912253BEI	3.5" TC (8) 1/2 CLAMPS 1/1
4		HW912253-1	HRDW PKG 3.5 4CLMP S1/1
32		983856BEI	CLAMP RING 3.5 DIA
2	**	982073	PARTS CARTON 718502
2		116021	LABEL MIRACLE ID - GENERIC
2		116022	LABEL WARNING - PLAYGROUND - ENGLISH
2		116039	LABEL MIRACLE ID - TOTS' CHOICE
2		116099	LABEL, PLAY SMART RULES
2		HW982073-1	HRDW PKG DK SPT S1/1
8		713550	STICKER TOP OF SURFACING
8		981722	DECK SUPPORT 3.5" OD TUBE
2	**	988130BE	TC- SQUARE DECK
5	*	7185494	POST 3-1/2"OD X 118" 4' DECKS
5	**	995233BLU	POST 3.5" OD(W/CAP)X13GAX118"

Bill of Materials (Parts List)

8/28/2018 1:27:40 PM

Work Order: MR00112258

Cust #: 9450L05

W. O. Page 2 of 7

YOLO, COUNTY OF
137 N COTTONWOOD
WOODLAND, CA 95695

* Model
** Component

4	*	718573	POST 3-1/2" OD X 162" FOR ROOF(3'6-5'DK)
4	**	981930BLU	POST-3 1/2 OD X 162"
1	*	7186384	SLIDE GROOVE II 4' DECK
1	**	978942WHT	FRONT LEG-TUBE SLIDES
1	**	983306TEL	CANOPY/PANEL DRILLED TC
1	**	983359BEI	PARTS CARTON 718-727-4
1		HW983359-1	HRDW PKG 7187274 M1/1
2		987014BEI	PANEL SUPPORT CASTING PAINTED
1	**	987287WHT	TOP RAIL, TC ENCLOSURES
1	**	996404BLU	SLIDE GROOVE II 4' DECK
1	*	718670	SLIDE CHAMELEON II, ENTRY/EXIT 2'6"-4'6"
1	**	983306TEL	CANOPY/PANEL DRILLED TC
1	**	987287WHT	TOP RAIL, TC ENCLOSURES
1	**	997262BLU	MREC START F/2013 SECTIONAL SLIDE
1	**	997310BEI	RUNOUT F/2013 SECTIONAL SLIDE
1	**	997354WHT	RUNOUT SUPP F/2013 SECT SLIDE ING
1	**	997381	HDWR BAG F/2013 SECTIONAL SLIDE
1		HW997381-1	HRDW PKG 2013 SC SLD S1/1
1	**	997571	HDWR BAG F/2013 SECT SLIDE R/OUT
1		HW997571-1	HRDW PKG 2013 SC SLD M1/1
1	**	997909	PARTS CARTON CHAMELEON II SLIDE
1		HW997909-1	HRDW PKG CHMLN II SL M1/1
1	**	999558BEI	PANEL SUPPORT CASTING W/HARDWARE
1		HW999558-1	HRDW PKG PNL SPPT CSTG S1/1
2		987014BEI	PANEL SUPPORT CASTING PAINTED
1	*	7186705	SLIDE CHAMELEON II - LOW BANK RH SECT
8	**	200002079	WASHER FLAT M11 23 X 12 X 1.6MM
4	**	200002142	BOLT M8 X 1.25 MALE 57.5 MM
4	**	200002145	BOLT M8 X 1.25 FEMALE 10.3 X 30 MM
1	**	997307TEL	LOW BANK RIGHT F/2013 SECTIONAL SLIDE
1	*	718719	CLIMBER, CLIFF 3' - 5' DECK
1	**	982498BEI	PARTS CARTON 718-908
1		HW982498-1	HRDW PKG 718908 S1/1
2		102413BEI	BAR SOCKET-TC BOTTOM 1.000" O.D.
2		102414BEI	BAR SOCKET-TC TOP 1.000" O.D.

Bill of Materials (Parts List)

8/28/2018 1:27:40 PM

Work Order: MR00112258

Cust #: 9450L05

W. O. Page 3 of 7

YOLO, COUNTY OF
137 N COTTONWOOD
WOODLAND, CA 95695

* Model
** Component

1	**	983334WHT	CLIFF CLIMBER, 5FT DECK
1	**	990660TEL	ARCH ENCLOSURE ASSY, CLIMBER
1	*	7187554	CLIMBER HONEYCOMB 4' DECK
4	**	112719TEL	POLYTUFF HONEY COMB
1	**	720029WHT	RUNG HONEY COMB TOP
3	**	720033WHT	MID-RUNG HONEY COMB
1	**	981765TEL	CHINNING BAR-37" TC
1	**	984312BE	BRACKET ASSEMBLY, COATED BE
2	**	984315WHT	HANDHOLD W/INSERT, 4' DECK, TC, PTD
2	**	990950BEI	PRT CRTN-TC BAR SOCKET 1.000" OD TUBE
2		102413BEI	BAR SOCKET-TC BOTTOM 1.000" O.D.
2		102414BEI	BAR SOCKET-TC TOP 1.000" O.D.
2		HW990950-1	HRDW PKG TC BAR SCKT 1 ST S1/1
1	**	991948WHT	PARTS CARTON, 7187554
1		HW991948-1	HRDW PKG 7187554 M1/1
2		984313WHT	STUB ASSEMBLY, 1-13/16 IN., PAINTED
1	*	718796P1	BELL (POST MOUNT)
1	**	990951BEI	3.5" OD TC BAR SOCKET 1.315"OD PIPE
1		102411BEI	BAR SOCKET-BOTTOM 1.315" O.D.
1		102412BEI	BAR SOCKET-TOP 1.315" O.D.
1		104285	SET SKT 3/8-16 X 3/8 18-8 SS
1		104403	BOLT 1/4-14 X 1 1/4 HEX WASHER TEK
2		104750	BOLT 1/4-20 X 5/8 BHCS 6 LOBE 18-8 SS
1	**	990964BEI	3.5" OD TC VERSALOK CLAMP COMPLETE
2		104403	BOLT 1/4-14 X 1 1/4 HEX WASHER TEK
2		104749	BOLT 1/4-20 X 1 1/4 BHCS 6 LOBE 18-8 SS
2		104942	INSULATOR, SCREW, 1/4 DIA HOLE X 3/8
2		983856BEI	CLAMP RING 3.5 DIA
1	**	991824WHT	PARTS CARTON 714 & 718-796-P1
1		104403	BOLT 1/4-14 X 1 1/4 HEX WASHER TEK
1		991819WHT	BELL ASSEMBLY
1	*	7188172B	PANEL BENCH BELOW DECK
1	**	987479TEL	BENCH PANEL
1	**	987708BEI	PARTS CARTON - TC BENCH PANEL
1		HW987708-1	HRDW PKG TC BENCH PANEL M1/1

Bill of Materials (Parts List)

8/28/2018 1:27:40 PM

Work Order: MR00112258

Cust #: 9450L05

W. O. Page 4 of 7

YOLO, COUNTY OF
137 N COTTONWOOD
WOODLAND, CA 95695

* Model
** Component

4		102411BEI	BAR SOCKET-BOTTOM 1.315" O.D.
4		102412BEI	BAR SOCKET-TOP 1.315" O.D.
8		983856BEI	CLAMP RING 3.5 DIA
2	**	988358WHT	TOP RAIL-TC CANOPY
1	*	71885149	TRANSFER POINT SQUARE 4' DECK
2	**	114955WHT	HANDRAIL EXTENSION-SWAGED 51 1/4"
1	**	715264WHT	RUNG LEG
1	**	987145BE	STEP, KC TP BTM FPS Bei
1	**	990051WHT	HANDRAIL-TRANS DECK,SQ.TRANS.PNT.
1	**	990052WHT	TRANSFER STEP HANDRAIL
1	**	990057BE	PVC DECK-TRANSFER POINT BE
2	**	990133WHT	DECK ENCLOSURE-TC TRANSFER POINT
1	**	990304BEI	PARTS CRTN-TC SQ. TRNFR PNT CLSD RAIL
1		HW990304-1	HRDW PKG TCSQ TNFR PT S1/3
1		HW990304-2	HRDW PKG TCSQ TNFR PT S2/3
1		HW990304-3	HRDW PKG TCSQ TNFR PT S3/3
2		102411BEI	BAR SOCKET-BOTTOM 1.315" O.D.
2		102412BEI	BAR SOCKET-TOP 1.315" O.D.
1	**	990469BE	PVC STAIR-4' SQUARE TRANSFER POINT BE
1	**	990491WHT	STAIR ENCL CLOSED SQ TP 4FT DK
1	**	990492WHT	STAIR ENCL CLOSED W/HOLE SQTP 4FT DK
1	*	7188614	ROOF SQUARE SHINGLE DOUBLE WALL
1	**	112588TEL	ROOF-60" SQUARE LOKVILLE
1	**	981108	PARTS CARTON 4 POSTR ROOF
1		HW981108-1	HRDW PKG 7148614 S1/1
4	**	981999BLU	ROOF BRKT TC-FOR LV ROOF
1	*	718961P2	DELIGHT-O-SCOPE BINOCULARS TC POST MOUNT
1	**	989716	PARTS CARTON - POST MNT DELIGHT-O-SCOPE
2		988749	DRIVE RIVET, NAIL-IN
1	**	989958BLU	ASSEMBLY BINOCULARS POST MOUNT, TC
1	*	718968	CLIMBER CURVED LOOP 3' OR 4' DECK
1	**	982134WHT	CLIMBER CURVED LOOP 3-4'DK
1	**	982177TEL	ARCHED ENCLOSURE W/BRACKETS
1	**	982439BEI	PARTS CARTON 718-815
1		HW982439-1	HRDW PKG 718815 M1/1

Bill of Materials (Parts List)

8/28/2018 1:27:40 PM

Work Order: MR00112258

Cust #: 9450L05

W. O. Page 5 of 7

YOLO, COUNTY OF
137 N COTTONWOOD
WOODLAND, CA 95695

* Model
** Component

2		102413BEI	BAR SOCKET-TC BOTTOM 1.000" O.D.
2		102414BEI	BAR SOCKET-TC TOP 1.000" O.D.
1	*	7189709	ARCH BRIDGE 6' BTWN DECKS CLSD HR MT II
1	**	982076BEI	PARTS CARTON 718856
1		HW982076-1	HRDW PKG 718856 M1/1
4		102413BEI	BAR SOCKET-TC BOTTOM 1.000" O.D.
4		102414BEI	BAR SOCKET-TC TOP 1.000" O.D.
2	**	982643WHT	6' ARCH BRIDGE BARRIER TC
1	**	988157BE	TC - 6' ARCH BRIDGE FPS Bei
1	*	7189971	CLIMBER CARGO W/HANDRAILS 4' DECK
1	**	981765TEL	CHINNING BAR-37" TC
1	**	983142WHT	CARGO CLIMBER ANCHOR, PAINTED
1	**	983144BLU	PARTS CARTON 718-995-1
2		102411BLU	BAR SOCKET-BOTTOM 1.315" O.D.
2		102412BLU	BAR SOCKET-TOP 1.315" O.D.
2		102413BLU	BAR SOCKET-TC BOTTOM 1.000" O.D.
2		102414BLU	BAR SOCKET-TC TOP 1.000" O.D.
2		104049	SET SKT 3/8-16 X 3/4 18-8 SS
2		104097	BOLT 3/8-16 X 2 BHCS 6 LOBE 18-8 SS
2		104285	SET SKT 3/8-16 X 3/8 18-8 SS
4		104930	BOLT 3/8-16 X 1 1/8 BHCS 6 LOBE 18-8 SS
4		110030	NUT 3/8-16 HEX NYLOK 18-8 SS
8		104750	BOLT 1/4-20 X 5/8 BHCS 6 LOBE 18-8 SS
8		117005	WASHER 3/8 X 1 O.D. FLAT 18-8 SS
1	**	986365BE	CARGO NET W/RUNGS 4'DK PVC BE
2	**	986367WHT	HANDRAIL ASSY CARGO NET 4'
1	**	987576WHT	PARTS CARTON (2) SLEEVES
2		987575WHT	SLEEVE-HANDHOLD CARGO CLIMBER
1	*	718999Z	INSTALLATION KIT TC NO COST
2	**	990950BEI	PRT CRTN-TC BAR SOCKET 1.000" OD TUBE
2		102413BEI	BAR SOCKET-TC BOTTOM 1.000" O.D.
2		102414BEI	BAR SOCKET-TC TOP 1.000" O.D.
2		HW990950-1	HRDW PKG TC BAR SCKT 1 ST S1/1
1	**	990964BEI	3.5" OD TC VERSALOK CLAMP COMPLETE
2		104403	BOLT 1/4-14 X 1 1/4 HEX WASHER TEK

Bill of Materials (Parts List)

8/28/2018 1:27:40 PM

Work Order: MR00112258

Cust #: 9450L05

W. O. Page 6 of 7

YOLO, COUNTY OF
137 N COTTONWOOD
WOODLAND, CA 95695

* Model
** Component

2	104749	BOLT 1/4-20 X 1 1/4 BHCS 6 LOBE 18-8 SS
2	104942	INSULATOR, SCREW, 1/4 DIA HOLE X 3/8
2	983856BEI	CLAMP RING 3.5 DIA
2	** 990967BEI	PC BAR SOCKET W/HDW (1 SET)
2	102411BEI	BAR SOCKET-BOTTOM 1.315" O.D.
2	102412BEI	BAR SOCKET-TOP 1.315" O.D.
2	104285	SET SKT 3/8-16 X 3/8 18-8 SS
2	104403	BOLT 1/4-14 X 1 1/4 HEX WASHER TEK
4	104750	BOLT 1/4-20 X 5/8 BHCS 6 LOBE 18-8 SS
1	** 999001	CUSTOMER ENVELOPE (BLUE) (MAILED)
1	** 999002	DNO INSTALLER ENVELOPE (RED)
1	** 999005BLU	PART BAG-I.D.LABELS & PLUGS
1	103543BLU	PLUG ROCKITE 4" BLUE
2	116021	LABEL MIRACLE ID - GENERIC
2	116022	LABEL WARNING - PLAYGROUND - ENGLISH
2	116099	LABEL, PLAY SMART RULES
1	** 999006BLU	TOUCH UP PAINT-POST
1	115208BLU	PAINT BLUE GLOSS 4.5 OZ AEROSOL CAN
1	115209BLU	PAINT 0.6 OZ.TOUCHUP BOTTLE
1	** 999007WHT	TOUCH UP PAINT-ACCENT
1	115208WHT	PAINT WHITE GLOSS 4.5 OZ AEROSOL CAN
1	115209WHT	PAINT 0.6 OZ.TOUCHUP BOTTLE
1	995685	SEALANT, 3M 730 HYBRID CLEAR
1	** 999015	WHITE BOX-INSTALLATION KIT
1	** 999019	PART BAG-CUSTOMER SERVICE KIT TC
1	103529	1 1/4" PIPE PLUG FOR 1 7/16"ID PIPE
1	104049	SET SKT 3/8-16 X 3/4 18-8 SS
1	981722	DECK SUPPORT 3.5" OD TUBE
2	103545	1" TUBE PLUG-PLASTIC F/14 GA
2	104481	BIT 6 LOBE T-55 FOR 1/2 BOLTS
2	104750	BOLT 1/4-20 X 5/8 BHCS 6 LOBE 18-8 SS
4	103528	PIPE PLUG 1" FOR 1 1/8" ID PIPE (DIAMOND
4	104472	BIT 6 LOBE T-27 FOR 1/4" BOLTS
4	104480	BIT 6 LOBE T-45 FOR 3/8 BOLTS
4	304024	BIT 6 LOBE T-45 TAMPER RESISTANT FOR M10

Bill of Materials (Parts List)

8/28/2018 1:27:40 PM

Work Order: MR00112258

Cust #: 9450L05

W. O. Page 7 of 7

YOLO, COUNTY OF
137 N COTTONWOOD
WOODLAND, CA 95695

* Model
** Component

6		104964	RIVET, RATCHET, WHITE PLASTIC
25		104403	BOLT 1/4-14 X 1 1/4 HEX WASHER TEK
25		104942	INSULATOR, SCREW, 1/4 DIA HOLE X 3/8
3	**	999132	PARTS CARTON - 2-12 LABEL - WHITE BOX
3		116036	LABEL - AGES 2-12 YEARS MREC
1	*	787Z	RISK MANAGEMENT SIGN - ENGLISH
1	**	923551BLU	POST F/RISK MANAGEMENT SIGN
1	**	923560	PC F/787 RISK MNGMT ENGLISH
1		923287	RISK MNGT SIGN PRINTED ENGLISH (DNO)

Total Weight: 2167.00

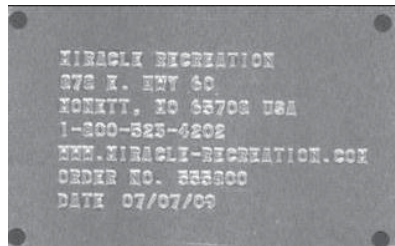


Installation Guide

September 2, 2011

Rev. C

MIRACLE CPSIA Labels
RECREATION EQUIPMENT COMPANY



CPSIA Labels

NOTE: It is Miracle Recreation's practice to attach CPSIA labels to the equipment at the factory. For composite equipment, these labels will be attached to a transfer point, 2' stairs or a deck post. If there is not a label attached to your equipment, contact Miracle's Customer Service Department at the number provided below. Upon receipt of the label, use this installation guide to attach it correctly.

APPLICATION OF CPSIA LABELS - METAL TAG

Using the tag as a template, mark and drill four (4) 5/32" diameter holes from label location. Prepare surface; remove any dust, oil or grime from the label location area. Ensure the area is dry. Using hardware provided with tag, attach in four places via either pop rivets or screws. Seal exposed steel edges with touch-up paint or silicone caulk.

APPLICATION OF CPSIA LABELS - STICKER WITH LAMINATE OVERLAY

Prepare surface; remove any dust, oil or grime from the label location area on the post. Ensure the area is dry. When area is both clean and dry, carefully peel off label from paper backing and place on flat metal surface so that it is flush and flat with no wrinkles or tears. Apply clear laminate on top of CPSIA label so that ALL portions of the CPSIA label are laminate-protected.

REPLACEMENT OF CPSIA APPROPRIATE LABELS

If label should become illegible, torn or is removed it is necessary for the owner to replace the label. Replacement labels may be obtained by calling our Customer Service Department at **1-800-523-4202**, or by writing to:

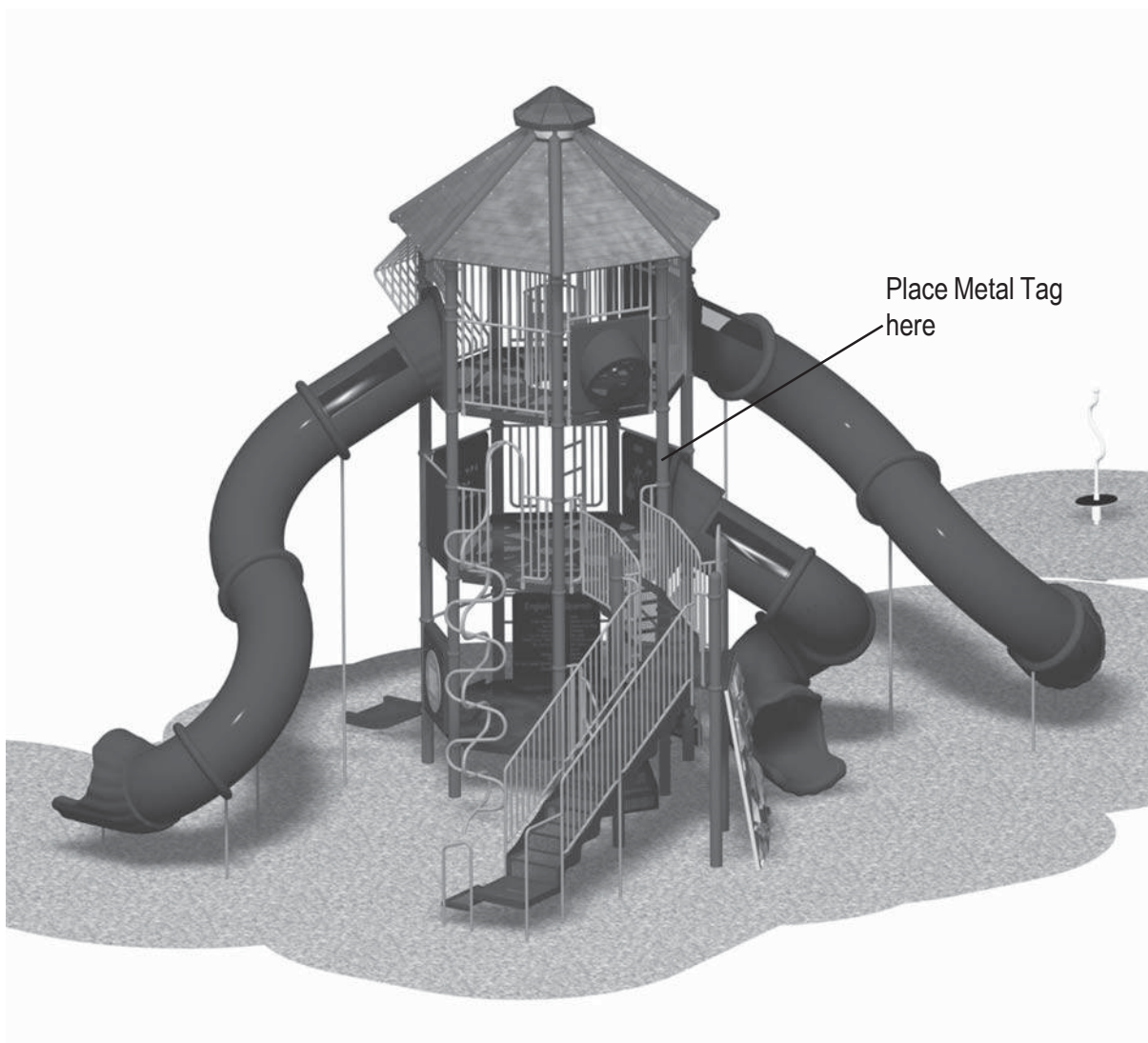
Miracle Recreation Equipment Company
878 E. Hwy. 60
Monett, MO 65708-0420

714, 718, 704, Misc. (Doc 997)

CPSIA Labels

COMPOSITE STRUCTURES:

Any playstem where all components are either structurally or functionally linked requires ONE metal CPSIA tag. The CPSIA tag should be placed on a deck post at or near the deck access points (stairs, ramps, transfer points, ladders, etc.). Each tag should be positioned so it is readable by a person entering onto the deck.





MIRACLE CPSIA Labels

RECREATION EQUIPMENT COMPANY

INDEPENDENT EVENTS:

Any component that is NOT structurally or functionally linked to a playsystem is considered an independent event and will require its own label. The categories for independent events are as follow:

POST - Use sticker with laminate overlay

The definition of "post" in regard to labelling is ANY smooth painted metal surface (e.g. Deck posts, Swing Legs, etc) that is at LEAST 1-7/8" in diameter. Components considered in the Post category include:

- Swings - Place on swing leg.
- Whirl - Place on center post.
- Saddle Seat (post mounted) - Place on post.
- Jet-Ski Freeride - Place on middle post.
- Freestanding Panels - Place on frame or post.
- Bongo-Boingo - Place on post.
- Accessories (e.g. signs, Whirl) - Place on post.
- Pool Slides - Place on post.
- Spray Stations - Place on straight part of post.
- Webscape Climbers - Place on center post.
- Fitness Clusters - Place on post. Each individual fitness component requires a label.

Place Sticker
44" to 50" above
Post end



C-SPRING RIDERS - Use sticker with laminate overlay

For all components with a C-Spring, place the CPSIA sticker on the inside turn of one spring.

Place Sticker
here



CPSIA Labels

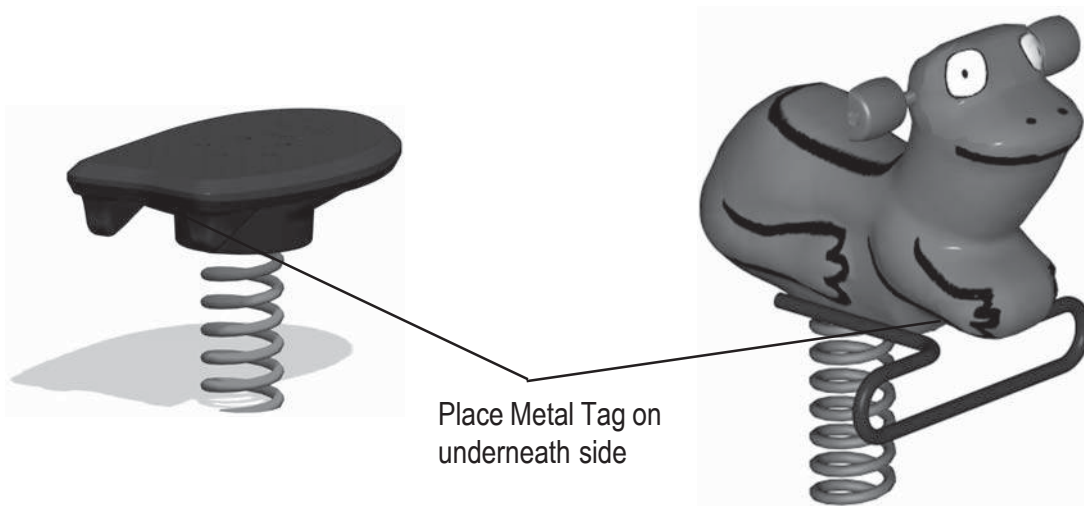
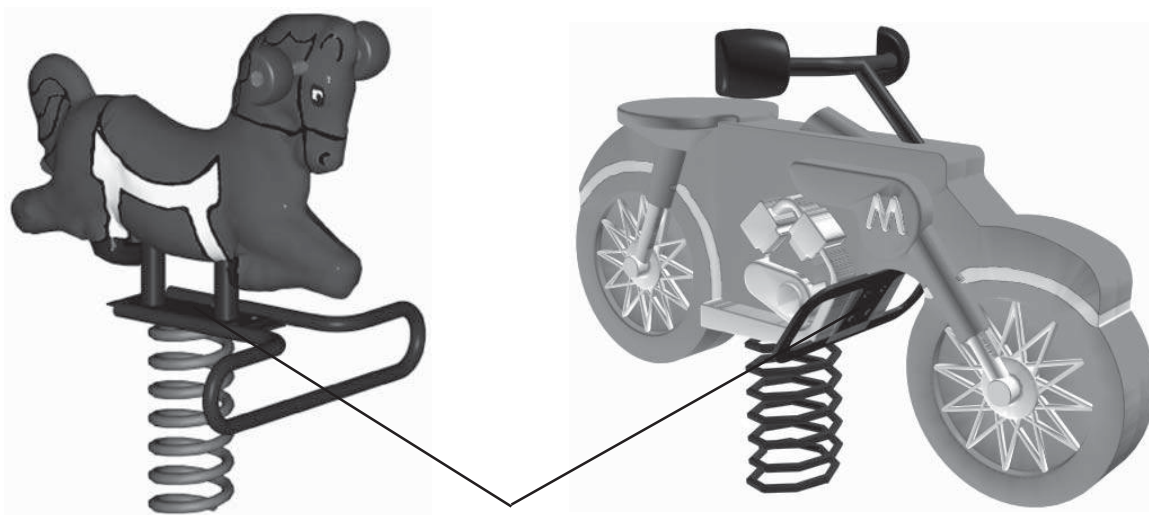
COIL SPRING RIDERS - Use metal tag or sticker with laminate overlay

For all components with a Coil Spring rider with a BOLTING PLATE, place the CPSIA sticker with laminate overlay on the bolting plate between the bolts. If Coil Spring rider has no bolting plate, attach a metal tag directly to Rockite on underside area of rider. Coil Spring Rider category includes:

All Coil Spring Riders - Attach sticker with laminate overlay to Bolting plate OR metal tag to Rockite on underneath side.

Saddle Seat (Coil Spring) - Attach metal tag to Rockite on underneath side.

Surfer - Attach metal tag to Rockite on underneath side.





MIRACLE CPSIA Labels

RECREATION EQUIPMENT COMPANY

FREESTANDING SLIDES - Use metal tag or sticker with laminate overlay

Freestanding Slides fall under 3 categories:

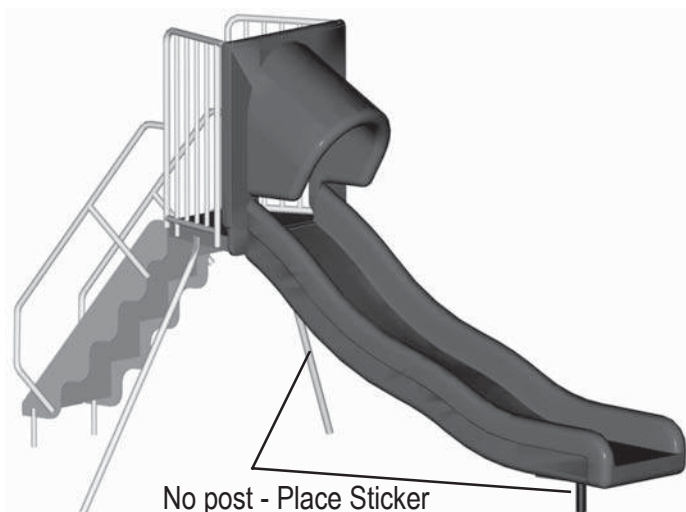
Slides with exposed post - attach sticker with laminate overlay to post.

Slides with unexposed post - attach sticker with laminate overlay to brace or leg.

Slides with NO post, leg or brace - attach metal tag to stair side or on Rockite slide.

CPSIA Labels

Exposed post -
Place Sticker
here



No post - Place Sticker
on Leg or Brace



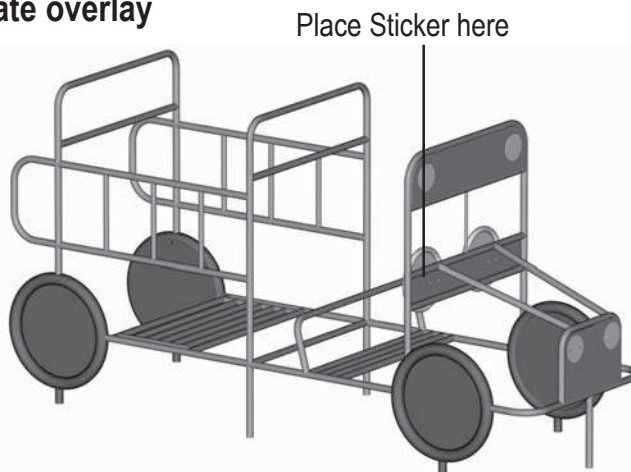
No Exposed Post/Brace/Leg
- Place Metal Tag on Stairs
or Rockite Slide

714, 718, 704, Misc. (Doc 997)

CPSIA Labels

VEHICLE CLIMBER - Use sticker with laminate overlay

For all Vehicle Climbers place sticker with laminate overlay on outside of dash board.



100% ROCKITE COMPONENTS - Use metal tag

Some Miracle components are constructed completely of Rockite including:

Boulder Ridge Rock Walls - Attach to one corner 4" above finished grade

Ground mounted Crawl Tube - Attach to entry panel

Freestanding Bongo at ground level - Attach to underside "skirt"



Place Metal Tag in one corner, 4" above finished grade



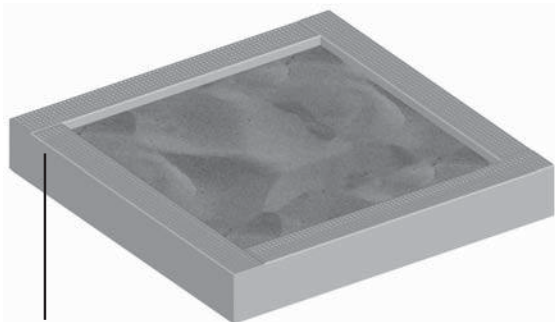
SANDBOXES - Use metal tag or sticker with laminate overlay

Sandboxes include:

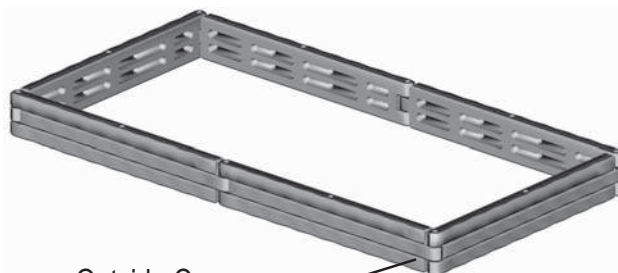
Mira-Therm2 Sandbox - Attach sticker with laminate overlay to painted metal wall side.

Cloverleaf Sandbox - Attach sticker with laminate overlay to leg.

Timber Sandbox - Attach metal tag directly to Rockite at outside corner.



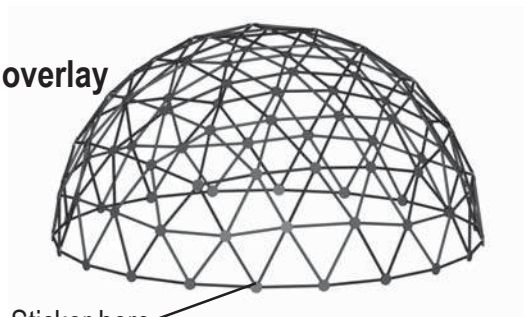
Metal wall side -
Place Sticker here



Outside Corner -
Place Metal
Tag here

GEODESIC CLIMBER - Use sticker with laminate overlay

Place sticker on underside plate, near ground level.



Place Sticker here

AFTER MARKET SERVICE PARTS - Use metal tag or sticker with laminate

All after market service parts will come with a separate installation guide that instructs installers to refer to this CPSIA document for correct placement, dependent upon order. This secondary installation guide is located on the internal and installer websites.

CPSIA Labels

714, 718, 704, Misc. (Doc 997)



Post-Installation Check List

D70165 Rev. B

Date of Completed Install: _____

Work Order #: _____

Customer: _____

Project: _____

City/State: _____

- All labels properly affixed (CPSIA, age appropriate, top of surfacing and warning).
- ALL CPSIA embossed labels for composite structures photographed for evidence of proper installation on equipment*.
- All bolts, nuts, and set screws checked for tightness. All excess bolt threads cut and peened smooth to expose no more than two threads.
- Unit has been wiped down to eliminate dust/dirt (soap and water may be necessary).
- Equipment checked for installation guideline compliance.
- Site cleaned with all construction trash removed.
- Owner notified that installation was done according to manufacturer's specifications. Note any exceptions, e.g. that the owner must still provide safety surface, etc.
- Touch-up paint, torque drive bits and spare parts left with the owner.
- Owner reminded that equipment should not be used for 72 hours after installation to allow concrete to cure (if applicable) and/or protective surfacing must be installed.
- If installation was not done according to specifications, please indicate changes and describe reason for doing so, and contact information for the person(s) who authorized the change.

- Authorized by: _____ Phone: _____ Date: _____
- Installer Signature _____ Date: _____
- Signed by owner or authorized customer _____ Date: _____

***RETURN COMPLETED CHECKLIST AND PHOTOGRAPHS to MIRACLE CUSTOMER SERVICE by mail at 878 E. Hwy 60, Monett, MO 65708 or electronically to customer.service@miraclerec.com.**

For questions contact Customer Service call 1-800-523-4202.



1-800-523-4202

www.miracle-recreation.com